



BOSCH

Angle Grinder

GWS 20-180 | 0 601 849 1A3

Table of Content

Spare parts list.....	2
Illustration - Type.....	4

Spare parts list

Item	Part Number	Description
1	1 619 P09 887	Motor Housing
2	1 604 220 380	Field 220-240V
5	1 604 460 335	Power supply cord CN 4,15m 2 x 1,0mm H07 RN-F
6	1 600 703 023	Grommet Ø 10,5-Ø11,0x100 MM
7	1 601 302 018	Fastening Clamp
9	1 601 118 E66	Manufacturer's nameplate
23	1 605 500 233	Sealing cap BLUE
24	1 605 132 140	Handle BLUE
25	1 603 123 05U	Grinding Spindle
28	1 600 210 033	O-Ring 79,0x1,78 MM
29	1 600 210 045	O-Ring 8,0x1,0 MM
30	1 600 591 035	Air Distributor
31	1 619 P17 209	Air-Deflector Ring
32	1 600 290 019	Retaining snap ring
33	1 600 290 013	Rotary shaft lip seal 18,7 MM RED
34	1 600 190 020	Shim 0,15 MM THICK
34	1 600 190 021	Shim 0,3 MM THICK
34	1 600 190 022	Shim 0,1 MM THICK
34	1 600 190 037	Shim 0,2 MM THICK
34	1 600 190 038	Shim 0,25 MM THICK
34	1 600 190 039	Shim 0,35 MM THICK
34	1 600 190 040	Shim 0,4 MM THICK
35	1 600 205 034	Felt Washer
37	1 600 290 036	Seal Ring BLACK
38	1 600 206 020	Rubber Ring 7 MM WIDE
39	1 600 206 030	Rubber Ring
44	1 601 334 009	Pickup Clip
45	1 603 300 019	Hex Nut M10, SW14
51	2 600 910 001	Needle-Roller Bearing Ø14 MM
53	1 605 190 068	Socket Housing
60	1 603 435 023	Thread-forming tap. Screw TT M5x18 MM
61	2 912 401 038	Tapping Screw DIN 7981-4,8x38-C-Z-ST
62	1 603 435 024	Tapping Screw C4,8x63 MM
63	1 603 410 014	Pan head screw M4x10 MM

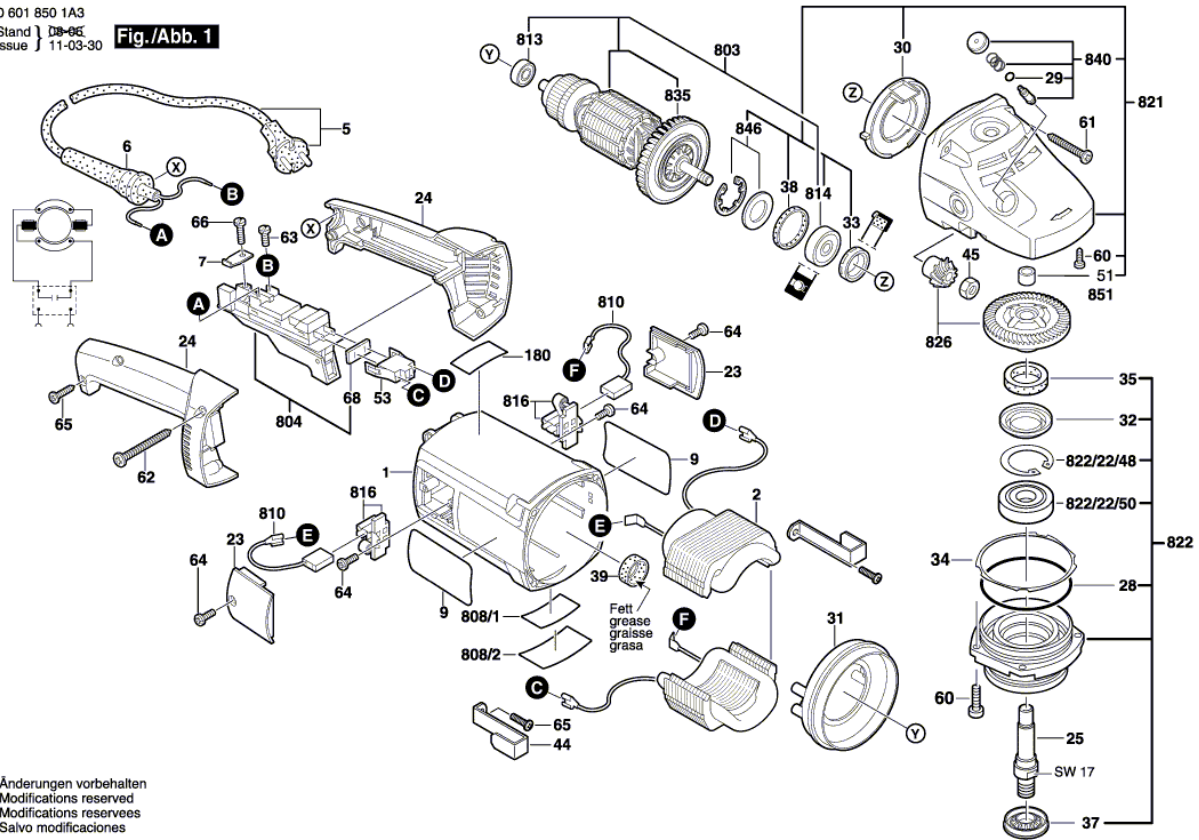
Angle Grinder | GWS 20-180 | 0 601 849 1A3**Spare parts list**

Item	Part Number	Description	
64	1 603 435 042	Plastic-Cutting Screw	St3,9x12
65	2 912 401 020	Tapping Screw	DIN 7981-3,9x19-C-Z-ST
66	2 910 211 019	Tapping Screw	DIN 7971-ST3,9x16-F
68	1 601 006 011	Sealing Plate	
803	1 604 011 252	Armature	220-240V
804	1 607 000 967	Switch	BLACK
808/1	1 619 P01 471	Nameplate	
808/2	1 619 P01 490	Transparent Cover	
810	1 607 014 171	Carbon-Brush Set	
813	1 600 905 011	groove ball bearing	8x22x7
814	1 600 905 023	groove ball bearing	10x35x11
816	1 604 336 048	Brush Holder	
821	1 607 000 C00	Gear Housing	
822	1 607 000 C04	Bearing Flange	Ø180 MM
822/22/48	1 600 119 010	Spring retaining ring	
822/22/50	1 600 905 026	groove ball bearing	17x40x12
826	1 619 P02 775	Bevel Gear Set	
835	1 606 610 127	Fan	
840	1 607 000 354	Push-Button	
846	1 607 000 342	Retaining Washer	
651	1 600 A00 XL9	Protective Cover	Ø180 MM
890	1 600 210 039	O-Ring	20,35x1,78 MM
891	1 619 P09 013	Auxiliary Handle	
891/1	1 602 025 09Z	Auxiliary Handle	
892	1 607 950 061	Pin-Type Face-Wrench	
893	2 605 703 014	Clamping Flange	Ø22,3xØ42 MM
894	1 603 345 043	Round Nut	M14
896	1 600 A01 6PP	Fast Locking Flange	

Illustration - Type - E

0 601 850 1A3
 Stand } 08-05
 Issue } 11-03-30

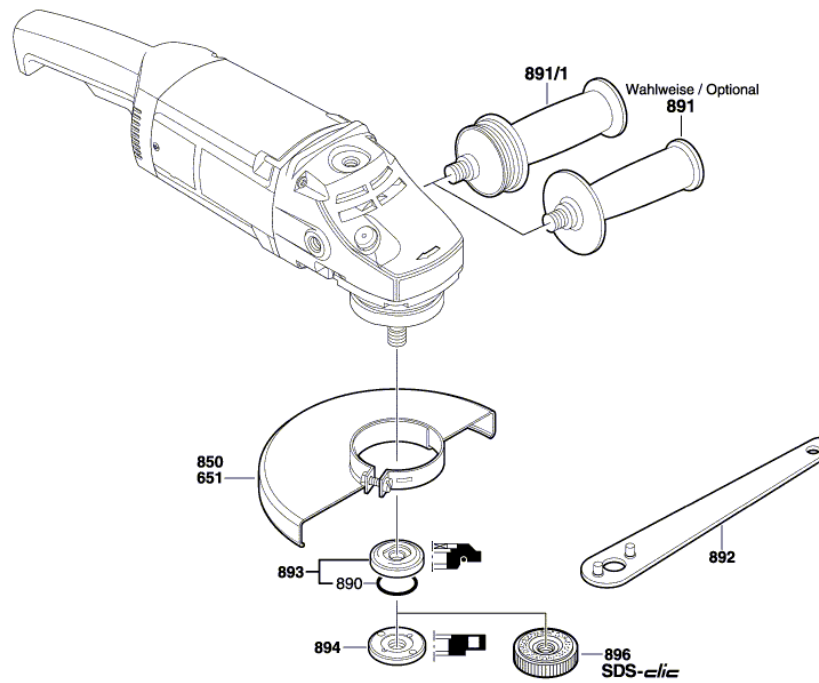
Fig./Abb. 1



Änderungen vorbehalten
 Modifications reserved
 Modifications reserves
 Salvo modificaciones

Illustration - Type - E

0 601 850 1A3
Stand } 05-06
Issue } 07-08-09 **Fig. /Abb. 2**



Änderungen vorbehalten
Modifications reserved
Modificaciones reservadas
Salvo modificaciones