



**BOSCH**

# Cordless Angle Grinder

GWS 18V-180PC | 3 601 JH6 E84

---

## Table of Content

Spare parts list.....	2
Illustration - Type.....	4

# Cordless Angle Grinder | GWS 18V-180PC | 3 601 JH6 E84

## Spare parts list

Item	Part Number	Description
1	1 605 108 2UU	Motor Housing
2	1 607 022 661	DC motor
3	1 600 A02 4C4	Contact Plate
4	1 600 A01 6JC	Switch Unit
5	1 600 A01 8Z2	Ribbon cable
7	1 600 A01 6U4	Cover Ring
9	1 601 11C 4K0	Manufacturer's nameplate
18	1 600 A02 5M2	Switch-Pawl
19	1 604 612 03M	Compression Spring
33	1 600 210 035	O-Ring 46,0x1,1 MM
35	1 600 136 013	Shim 0,1 MM THICK
35	1 600 136 014	Shim 0,2 MM THICK
35	1 600 136 015	Shim 0,3 MM THICK
35	1 600 136 020	Shim 0,15 MM THICK
45	1 603 300 016	Hex Nut M7, SW10
47	1 609 280 477	Compression Spring
49	1 603 435 08X	Thread-forming tap. Screw M4x16-St w/ Precote 85-3
50	1 603 435 071	Thread-forming tap. Screw
53	1 603 435 078	Torx Oval-Head Screw
54	1 603 414 026	Torx Oval-Head Screw 4x30
55	1 603 430 03T	Screw
92	1 600 A01 ZE2	Electronics Module
94	1 605 500 2FA	Cover
95	1 600 A01 9TY	Dust-Protection Cover
321/104	1 600 210 044	O-Ring 4,5x1,0 MM BLUE
321/41	1 600 200 029	Plain bearing
343	1 607 000 742	Catch Lever
343/44	1 604 611 042	Compression Spring
808	1 601 11A 9W3	Nameplate
821	1 607 000 D80	Gear Housing
828	1 607 000 EB8	Bearing Flange
828/04	3 600 210 109	O-Ring 47,0x1,5 MM
840	1 607 000 V41	Push-Button
851	1 607 000 EB7	Electronic Module

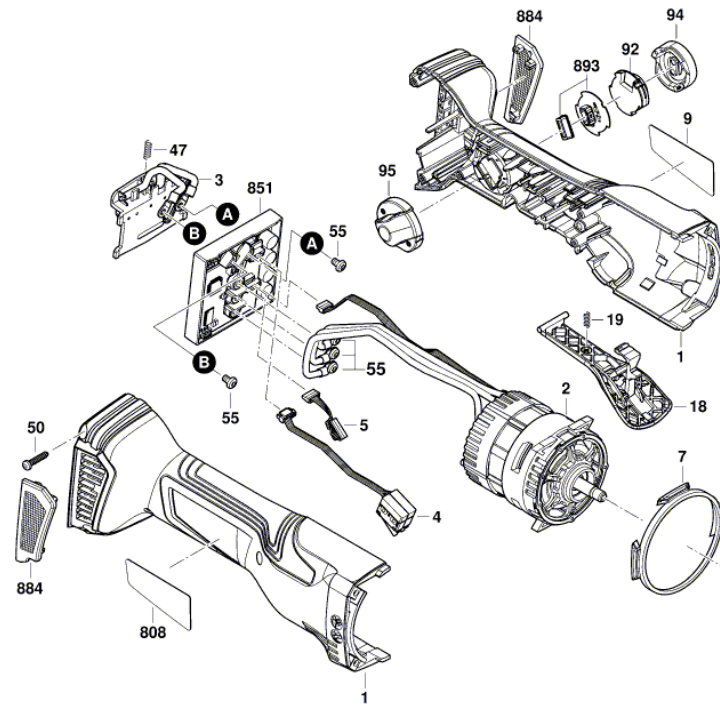
**Spare parts list**

<b>Item</b>	<b>Part Number</b>	<b>Description</b>
884	1 607 000 CA9	Filter Unit
893	1 607 000 D91	Electronics Module
650	1 607 000 E8B	Auxiliary Handle
650/2	1 603 345 043	Round Nut M14
650/3	1 607 950 052	Pin-Type Face-Wrench
650/5	2 605 703 014	Clamping Flange Ø22,3xØ42 MM
650/5/2	1 600 210 055	O-Ring 20,35x1,78 MM
651	1 600 A02 84A	Protective Cover
656	1 619 P16 650	Guard

Illustration - Type - E

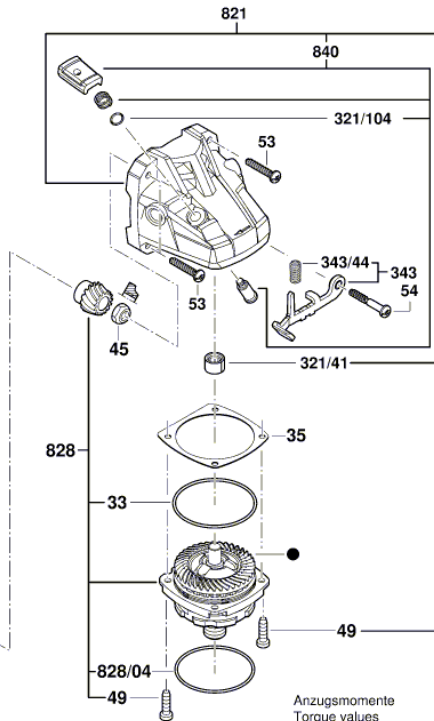
3 601 JH6 E04  
 Stand | 22-09  
 Issue | 23-07-20

Fig./Abb. 1



Änderungen vorbehalten  
 Modifications reserved  
 Modifications réservées  
 Salvo modificaciones

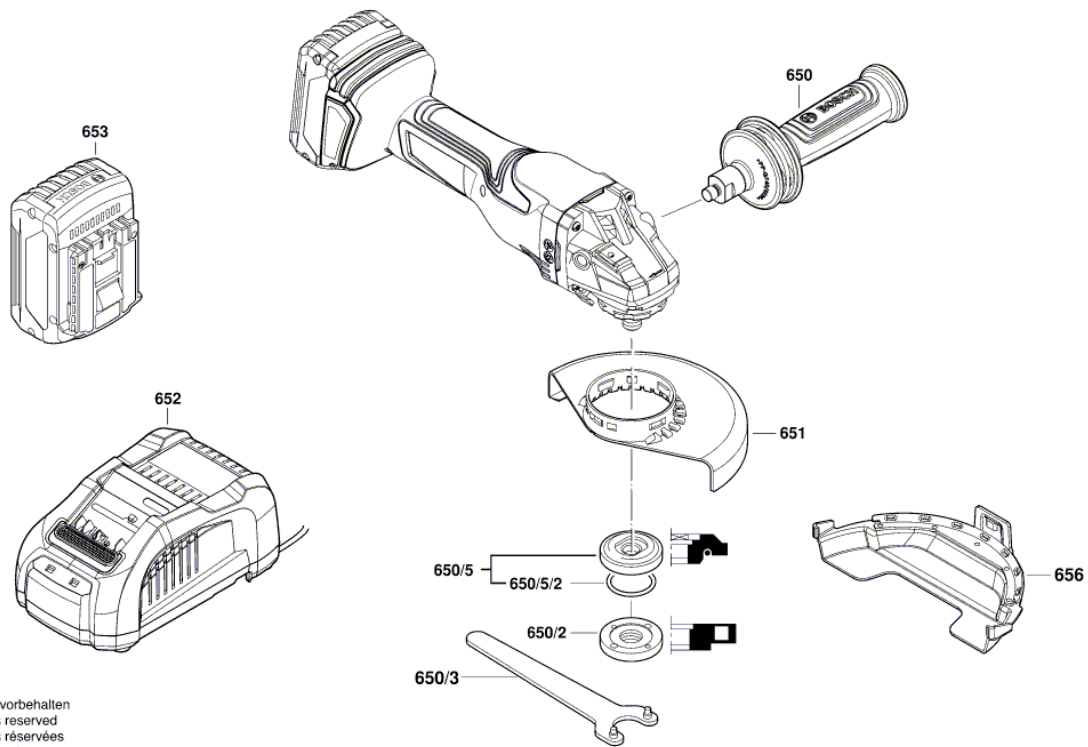
● = Zahnspiel 0,05 - 0,20mm mit Pos. 35 eingestellt  
 Tooth clearance 0,05 - 0,20mm adjusted with Pos. 35



Anzugsmomente  
 Torque values  
 Couple de serrage  
 Pares de apriete  
 Pos. 45 = 8,0 - 12 Nm  
 Pos. 49 = 2,6 - 3,5 Nm  
 Pos. 50 = 0,8 - 1,0 Nm  
 Pos. 53 = 1,5 - 1,8 Nm  
 Pos. 54 = 1,5 - 1,8 Nm

Illustration - Type - E

3 601 JH6 E04  
Stand } 22-09-06 **Fig./Abb. 2**  
Issue }



Änderungen vorbehalten  
Modifications reserved  
Modifications réservées  
Salvo modificaciones