



**BOSCH**

# Cordless Angle Grinder

GWS 18V-15 SC | 3 601 JH6 180

---

## Table of Content

Spare parts list.....	2
Illustration - Type.....	4

# Cordless Angle Grinder | GWS 18V-15 SC | 3 601 JH6 180

## Spare parts list

Item	Part Number	Description
1	1 605 108 2J3	Motor Housing
2	1 607 022 661	DC motor
3	1 600 A02 4C4	Contact Plate
4	1 600 A01 6JC	Switch Unit
7	1 600 A01 6U4	Cover Ring
9	1 601 11C 2SD	Manufacturer's nameplate
18	1 600 A01 6PW	Switch Handle
19	1 604 612 03M	Compression Spring
20	1 600 A01 6PX	Switch Slide
28/32	1 603 523 111	Grinding Spindle M10, SW12
33	1 600 210 035	O-Ring 46,0x1,1 MM
35	1 600 136 013	Shim 0,1 MM THICK
35	1 600 136 014	Shim 0,2 MM THICK
35	1 600 136 015	Shim 0,3 MM THICK
35	1 600 136 020	Shim 0,15 MM THICK
45	1 603 300 016	Hex Nut M7, SW10
47	1 609 280 477	Compression Spring
49	2 914 491 410	Thread-forming tap. Screw M4x16
50	1 603 435 071	Thread-forming tap. Screw
53	1 603 435 078	Torx Oval-Head Screw
54	1 603 414 026	Torx Oval-Head Screw 4x30
55	1 603 430 03T	Screw
90	1 607 233 5LN	Electronic Module
92	1 600 A01 6ML	Cover Panel
94	1 605 500 2FA	Cover
95	1 600 A01 9TY	Dust-Protection Cover
321/104	1 600 210 044	O-Ring 4,5x1,0 MM BLUE
321/41	1 600 200 029	Plain bearing
343	1 607 000 742	Catch Lever
343/44	1 604 611 042	Compression Spring
808	1 601 11A 7T0	Nameplate
821	1 607 000 D81	Gear Housing
828/04	3 600 210 109	O-Ring 47,0x1,5 MM
838	1 607 000 D87	Gear Unit
840	1 607 000 D7Y	Push-Button

## Spare parts list

Item	Part Number	Description
851	1 607 000 EB1	Electronic Module
884	1 607 000 CA9	Filter Unit
893	1 607 000 D91	Electronics Module
650/1	1 602 025 0A0	Auxiliary Handle
650/2	1 619 P09 976	Round Nut With 2 Holes
651	1 600 A01 2JH	Protective Cover
653	1 607 A35 0AT	Battery Pack GBA 18V 8.0Ah ProCore SCM
895	1 605 703 113	Clamping-Flange M10, 16-20 MM
897	1 605 703 112	Clamping-Flange Ø15/20 MM

Illustration - Type - E

3 601 JH6 150  
 Stand | 20-07  
 Issue | 23-07-20

Fig./Abb. 1

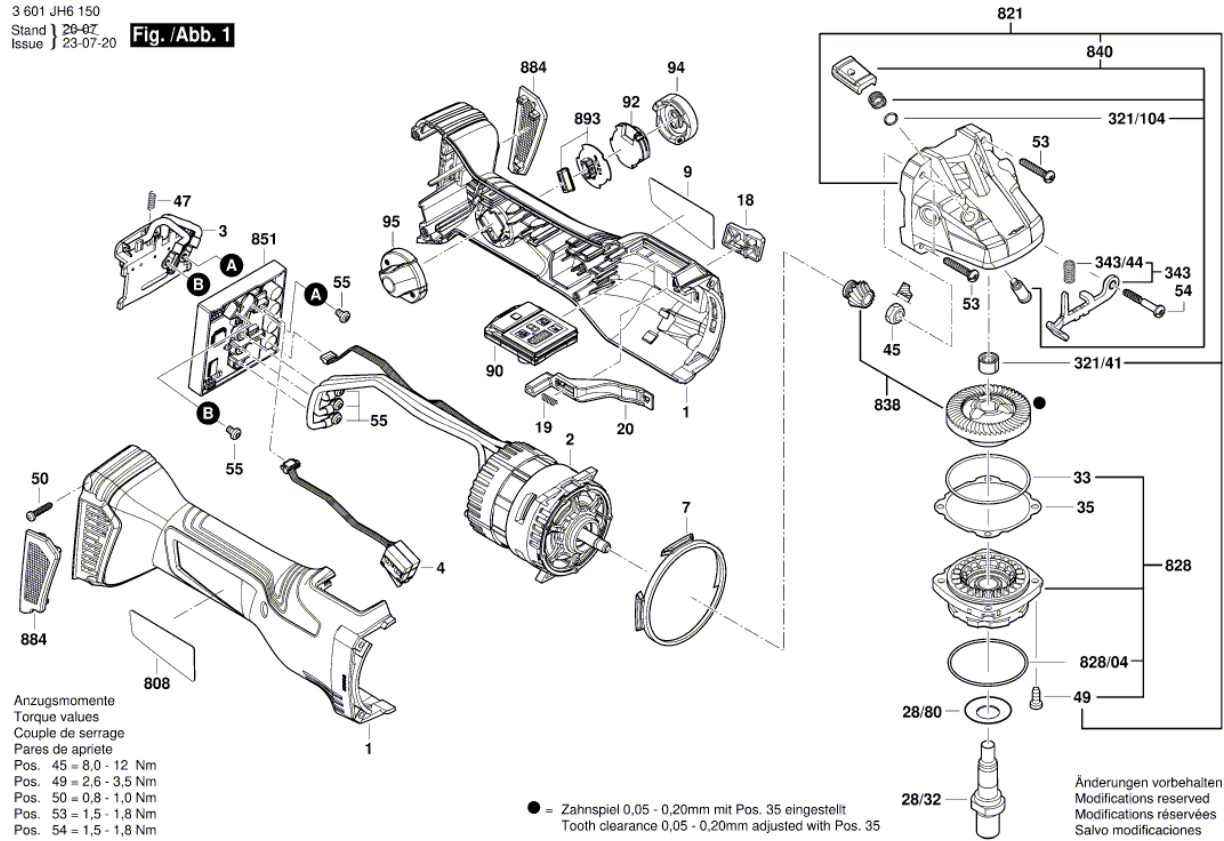
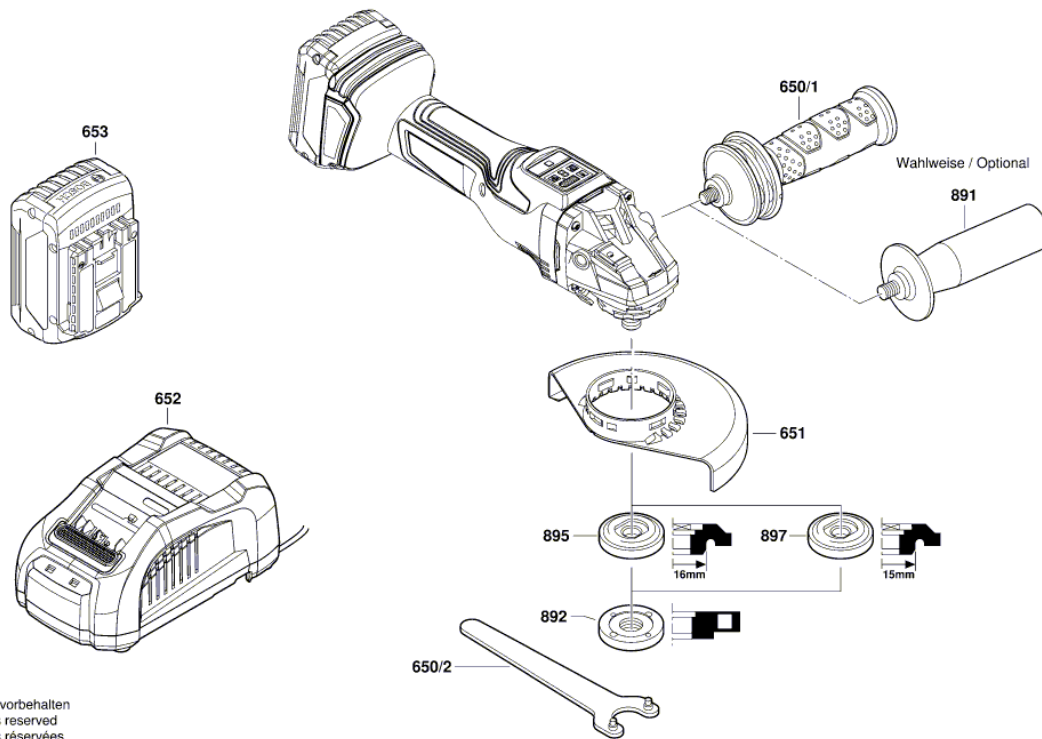


Illustration - Type - E

3 601 JH6 150  
Stand } 20-07-16  
Issue } **Fig. /Abb. 2**



Änderungen vorbehalten  
Modifications reserved  
Modifications réservées  
Salvo modificaciones