



BOSCH

Cordless Angle Grinder

GWS18V-10 | 3 601 JJ4 011

Table of Content

Spare parts list.....	2
Illustration - Type.....	4

Cordless Angle Grinder | GWS18V-10 | 3 601 JJ4 011

Spare parts list

Item	Part Number	Description	Illustration
1	1 619 P15 334	Motor Housing	1
4	2 607 202 328	Switch	1
5	1 606 610 16E	Fan	1
6	1 600 591 065	Air-Deflector Ring	1
9	1 619 P15 485	Manufacturer's nameplate	1
12	1 600 A00 RK2	Ferrite	1
17	1 600 100 P12	Cover	1
18	1 619 P15 338	Switch Handle	1
20	1 619 P16 511	Adjusting Slide	1
28	3 600 210 109	O-Ring 47,0x1,5 MM	1
32	3 603 523 503	Grinding Spindle 5/8"	1
33	1 600 210 035	O-Ring 46,0x1,1 MM	1
35	1 600 136 013	Shim 0,1 MM THICK	1
35	1 600 136 014	Shim 0,2 MM THICK	1
35	1 600 136 015	Shim 0,3 MM THICK	1
36	1 610 100 023	Washer	1
45	1 619 P17 544	Hex Nut	1
46	1 609 280 477	Compression Spring	1
49	2 914 491 410	Thread-forming tap. Screw M4x16	1
50	2 609 110 201	Torx Flat-Head Screw 3x16	1
53	1 619 P01 066	Torx Oval-Head Screw 4x25	1
54	2 603 490 025	Torx Oval-Head Screw 4x30	1
60	1 600 A00 P18	Reverse-Transfer Lever	1
80	1 619 P09 390	Cover Disc	1
97	1 619 P17 337	Warning Plate	1
98	1 619 P15 487	Warning Plate	1
321/104	1 600 210 044	O-Ring 4,5x1,0 MM BLUE	1
321/14	1 619 P09 955	groove ball bearing	1
321/27	1 600 206 025	Rubber Ring	1
321/37	1 600 A00 P17	Holder	1
321/40	1 600 119 011	Retaining clip	1
321/41	1 600 200 029	Plain bearing	1
321/7	1 619 P16 508	Air Distributor	1
343	1 607 000 742	Catch Lever	1
343/44	1 604 611 042	Compression Spring	1

Cordless Angle Grinder | GWS18V-10 | 3 601 JJ4 011

Spare parts list

Item	Part Number	Description	Illustration	
802	1 607 000 CA4	Motor	1	
803	1 607 000 CA5	Bevel Gear Shaft	1	
808	1 619 P15 471	Nameplate	1	
821	1 607 000 CA6	Gear Housing	1	
828	1 619 P15 775	Bearing Flange	1	
838	1 607 000 CA8	Gear Unit	1	
840	1 607 000 V41	Push-Button	1	
851	1 619 P15 493	Electronics Module	1	
884	1 607 000 CA9	Filter Unit	1	
650/1	1 602 025 0A0	Auxiliary Handle	2	
650/2	1 600 A01 6DR	Quick Acting Flange	2	
650/3	1 607 950 052	Pin-Type Face-Wrench	2	
650/5	1 605 703 140	Clamping-Flange	2	
651	1 600 A00 XL5	Protective Cover	2	
652	2 607 225 927	Charger	USA BC 1880 CV 13,3-18V/120V	2
653	1 607 A35 0CH	Battery Pack SCM	GBA18V80 8.0Ah ProCore	2
894	1 615 430 020	Grease Tube	225 ML	2
895	1 605 430 003	Grease Tube	225 ML	2

Illustration - Type - E

3 601 JJ4 011
Stand | 21-11
Issue | 22-11-23

Fig. /Abb. 1

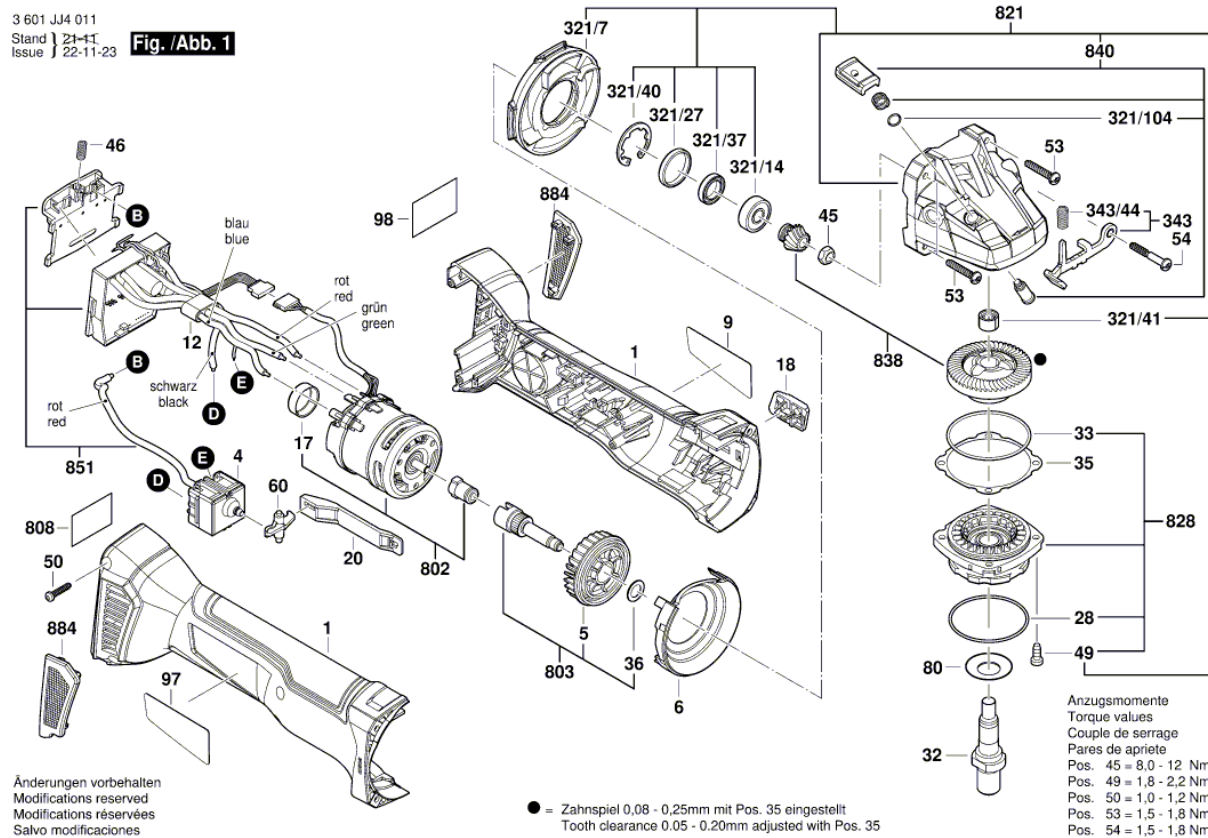
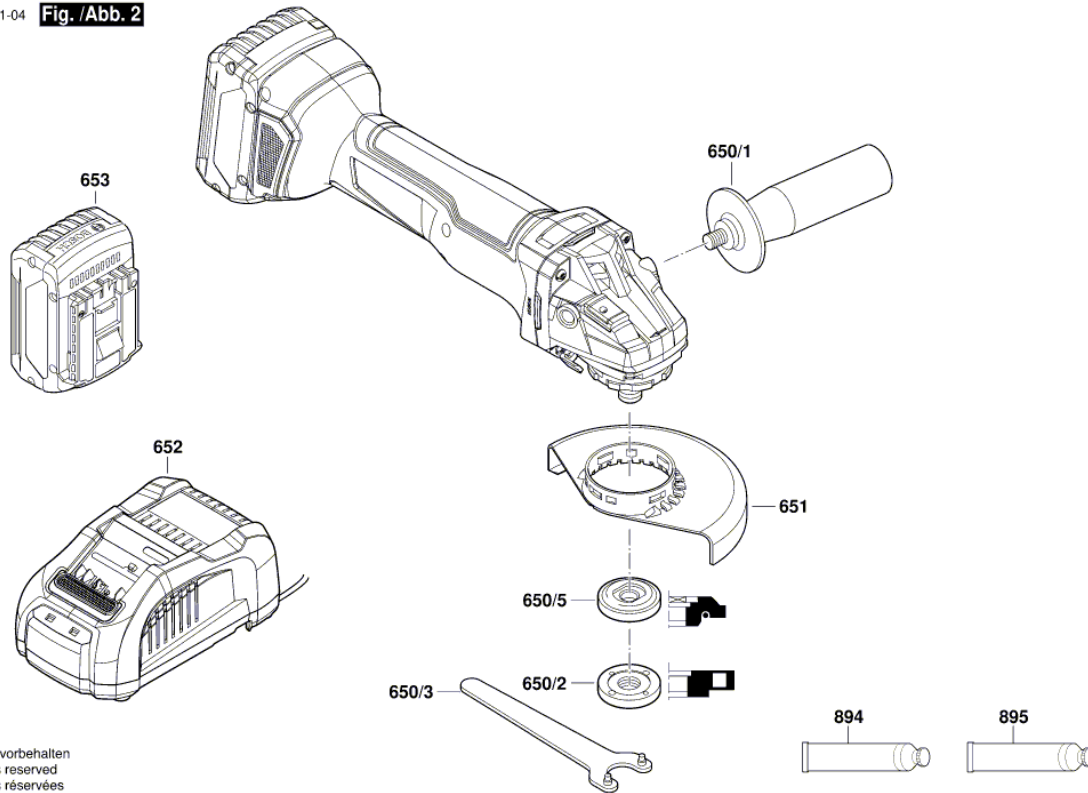


Illustration - Type - E

3 601 JJ4 011
Stand } 21-11-04
Issue } **Fig. /Abb. 2**



Änderungen vorbehalten
Modifications reserved
Modifications réservées
Salvo modificaciones