



BOSCH

Angle Grinder

GWS 12-125 S | 3 601 CA6 082

Table of Content

Spare parts list.....	2
Illustration - Type.....	4

Angle Grinder | GWS 12-125 S | 3 601 CA6 082

Spare parts list

Item	Part Number	Description		
1	1 619 P20 936	Motor Housing		
4	1 607 200 31S	Switch		
5	1 604 460 245	Power supply cord H05 VV-F	CN 2,65m 2 x 0,75mm	
6	1 600 703 039	Grommet		
7	1 601 302 017	Fastening Clamp		
8	1 619 P20 942	Nameplate		
9	1 619 P20 943	Manufacturer's nameplate	GWS 12-125 S	
14	1 619 P09 955	groove ball bearing		
16	1 600 A00 RG1	Brush Holder		
17	1 604 652 013	Spiral Spring		
18	1 619 P11 487	Compression Spring		
21	1 619 P20 983	Cap		
22	1 619 P20 940	Adjusting Slide		
23	1 619 P21 162	Switch Button		
27	1 600 206 025	Rubber Ring		
29	1 619 P20 938	Air-Deflector Ring		
30	1 619 P20 939	Air Distributor		
32	1 619 P15 210	Grinding Spindle	M14	
33	1 619 P14 427	O-Ring		
35	1 600 136 013	Shim	0,1 MM	THICK
35	1 600 136 014	Shim	0,2 MM	THICK
36	1 619 P00 987	Washer		
37	1 600 290 016	Rotary shaft lip seal		
40	1 600 119 011	Retaining clip		
41	1 600 910 018	Needle bearing	Ø8xØ12x8 MM	
45	1 619 P16 897	Hex Nut		
47	2 609 110 052	Special Screw		
48	1 619 P00 220	Torx Oval-Head Screw	3x10	
49	1 603 435 08X	Thread-forming tap. Screw Precote 85-3	M4x16-St w/	
50	1 619 P00 105	Torx Oval-Head Screw	4x20	
51	1 607 233 5NX	Speed governor	GWS1200,220~240V	
54	1 603 414 026	Torx Oval-Head Screw	4x30	
55	1 619 P01 066	Torx Oval-Head Screw	4x25	
62	3 600 210 109	O-Ring	47,0x1,5 MM	

Spare parts list

Item	Part Number	Description
69	2 916 540 007	Retaining ring
70	3 600 150 038	Cover Disc
80	1 619 P09 390	Cover Disc
802	1 619 P21 170	Field
803	1 619 P21 171	Armature
810	1 619 P21 172	Carbon-Brush Set
825	1 619 P21 173	Housing Cover
828	1 619 P21 174	Bearing Flange
831	1 619 P21 176	Gear Housing
838	1 619 P21 178	Bevel Gear Set
840	1 619 P21 177	Push-Button
843	1 607 000 742	Catch Lever
650/1	1 602 025 0A0	Auxiliary Handle
650/2	1 603 345 043	Round Nut M14
650/3	1 607 950 052	Pin-Type Face-Wrench
650/5	2 605 703 014	Clamping Flange Ø22,3xØ42 MM
651	1 600 A02 5XR	Protective Cover
894	1 615 430 020	Grease Tube 225 ML
895	1 605 430 003	Grease Tube 225 ML

Illustration - Type - E

3 601 CA6 022
Stand } 22-09
Issue } 22-10-21

Fig. /Abb. 1



Pos. 5
Pos. 7, 47

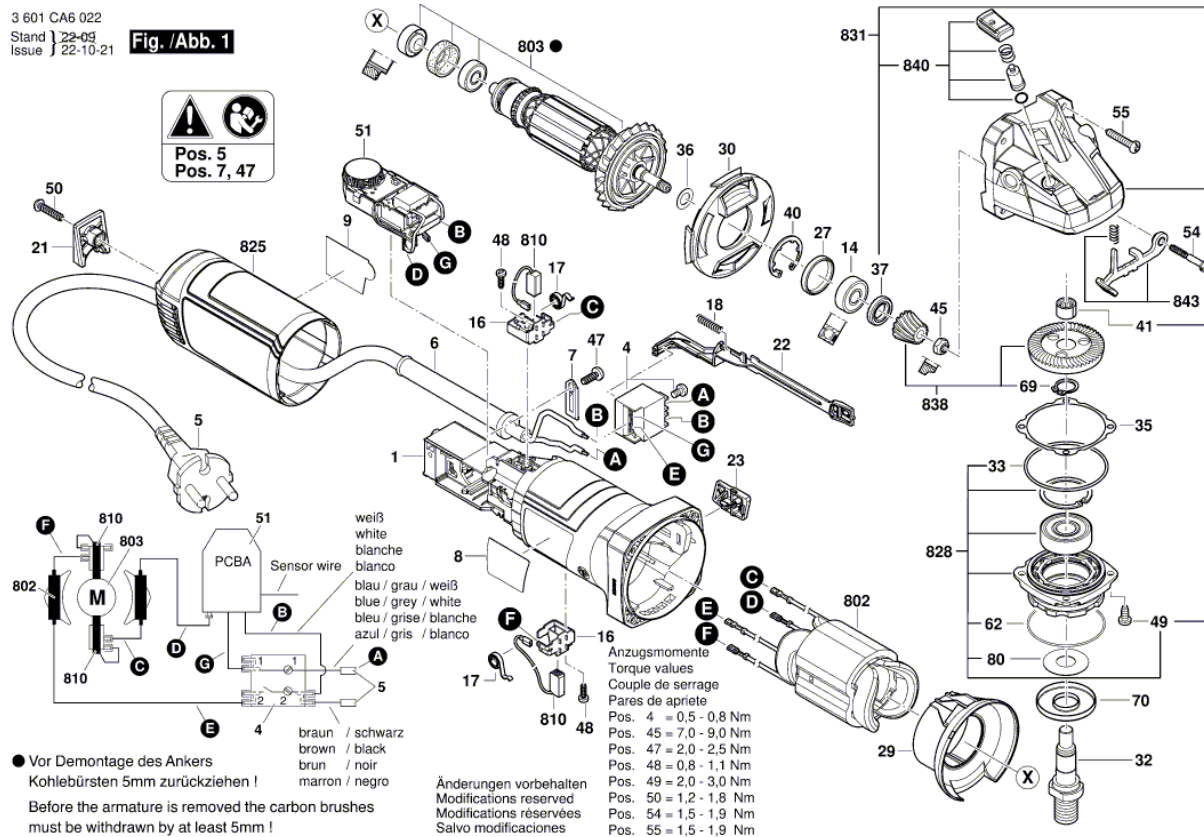
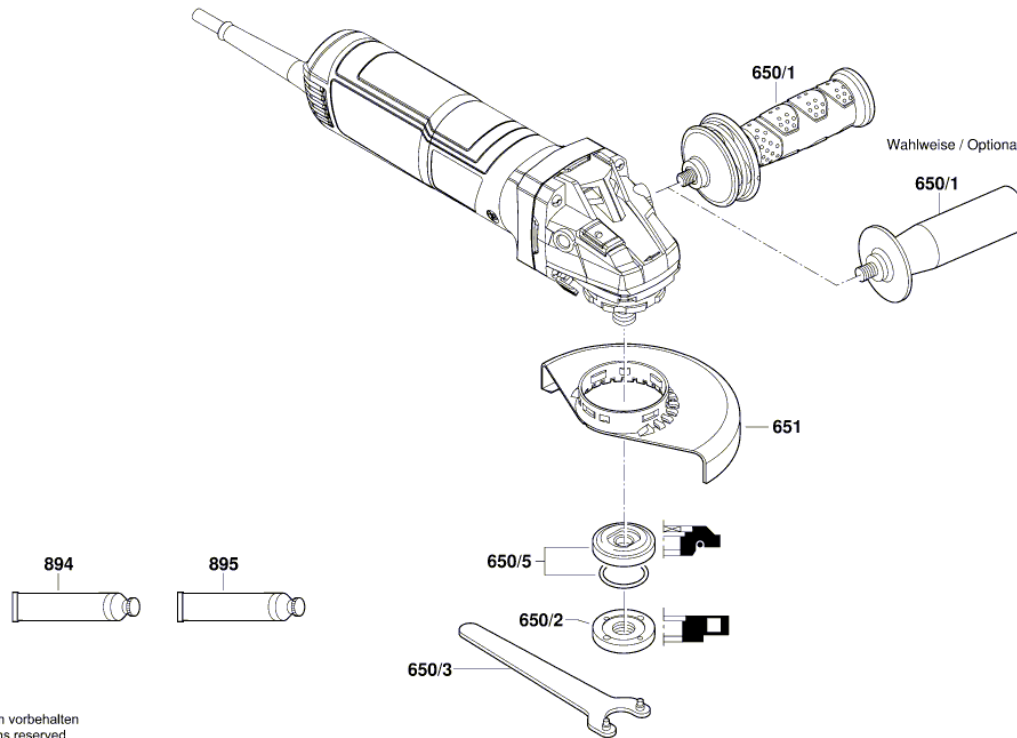


Illustration - Type - E

3 601 CA6 022

Stand } 22-08-16 **Fig./Abb. 2**
Issue }



Änderungen vorbehalten
Modifications reserved
Modifications reserves
Salvo modificaciones