



BOSCH

Angle Grinder

GWS 10-125 | 3 601 H21 830

Table of Content

Spare parts list.....	2
Illustration - Type.....	4

Angle Grinder | GWS 10-125 | 3 601 H21 830

Spare parts list

Item	Part Number	Description
2	1 607 000 FOR	Field
4	1 607 200 086	On-Off Switch
5	1 604 460 401	Power supply cord CH 230V 4,15m 2 x 1,0mm H05 RN-F
7	1 601 302 017	Fastening Clamp
9	1 601 118 G95	Manufacturer's nameplate GWS 1000
12	1 607 328 074	Suppression Capacitor
13	2 600 905 032	Ball Bearing 7x19x6
14	1 600 905 032	groove ball bearing 8x22x7
24	1 605 500 228	Cover BLUE
25	1 605 500 251	Housing Cover DARK BLUE
26	1 600 206 036	Rubber Ring
27	1 600 206 025	Rubber Ring
29	1 600 591 025	Air-Deflector Ring
30	1 600 591 014	Air-Deflector Ring
33	1 600 210 035	O-Ring 46,0x1,1 MM
35	1 600 136 013	Shim 0,1 MM THICK
35	1 600 136 014	Shim 0,2 MM THICK
35	1 600 136 015	Shim 0,3 MM THICK
35	1 600 136 020	Shim 0,15 MM THICK
37	1 600 290 016	Rotary shaft lip seal
40	1 600 119 011	Retaining clip
41	1 600 200 029	Plain bearing
45	1 603 300 016	Hex Nut M7, SW10
47	2 603 490 021	Torx Oval-Head Screw 4x12
49	2 914 491 410	Thread-forming tap. Screw M4x16
50	2 603 490 023	Torx Oval-Head Screw 4x20
52	1 604 448 013	Connecting Cable L=90 MM WHITE
53	1 603 435 078	Torx Oval-Head Screw
54	1 603 414 026	Torx Oval-Head Screw 4x30
104	1 600 210 044	O-Ring 4,5x1,0 MM BLUE
105	1 601 008 005	Insulating Plate
301/1	1 605 108 249	Motor Housing DARK BLUE
301/16	1 601 323 025	Brush Holder
301/17	1 604 652 013	Spiral Spring

Angle Grinder | GWS 10-125 | 3 601 H21 830**Spare parts list**

Item	Part Number	Description	
301/18	1 602 026 088	Switch Handle	
301/19	1 604 611 026	Compression Spring	
301/20	1 602 319 011	Adjusting Slide	
301/48	1 613 435 034	Lens Head Screw	3x10 ST
343	1 607 000 742	Catch Lever	
343/44	1 604 611 042	Compression Spring	
803	1 604 010 A20	Armature With Fan	230V
806	1 600 703 039	Grommet	
808	1 601 11A 3H3	Nameplate	
810	1 607 014 176	Carbon-Brush Set	
818	2 910 110 048	Pan head screw	DIN 85-AM3x6-CUZN
821	1 605 806 5SC	Gear Housing	
828	1 607 000 E1D	Bearing Flange	
828/04	3 600 210 109	O-Ring	47,0x1,5 MM
831	1 601 290 013	Spring Element	
835	1 606 610 132	Fan	
840	1 607 000 A71	Push-Button	
651	1 600 A02 5XR	Protective Cover	
890	1 600 210 039	O-Ring	20,35x1,78 MM
891	1 602 025 09T	Auxiliary Handle	
891	1 602 025 0A0	Auxiliary Handle	
892	1 603 345 043	Round Nut	M14
893	1 607 950 052	Pin-Type Face-Wrench	
895	2 605 703 014	Clamping Flange	Ø22,3xØ42 MM
896	1 600 A01 6PP	Fast Locking Flange	
897	1 605 430 003	Grease Tube	225 ML
898	1 615 430 020	Grease Tube	225 ML
899	3 605 430 008	Oil	1000 ML

Illustration - Type - E

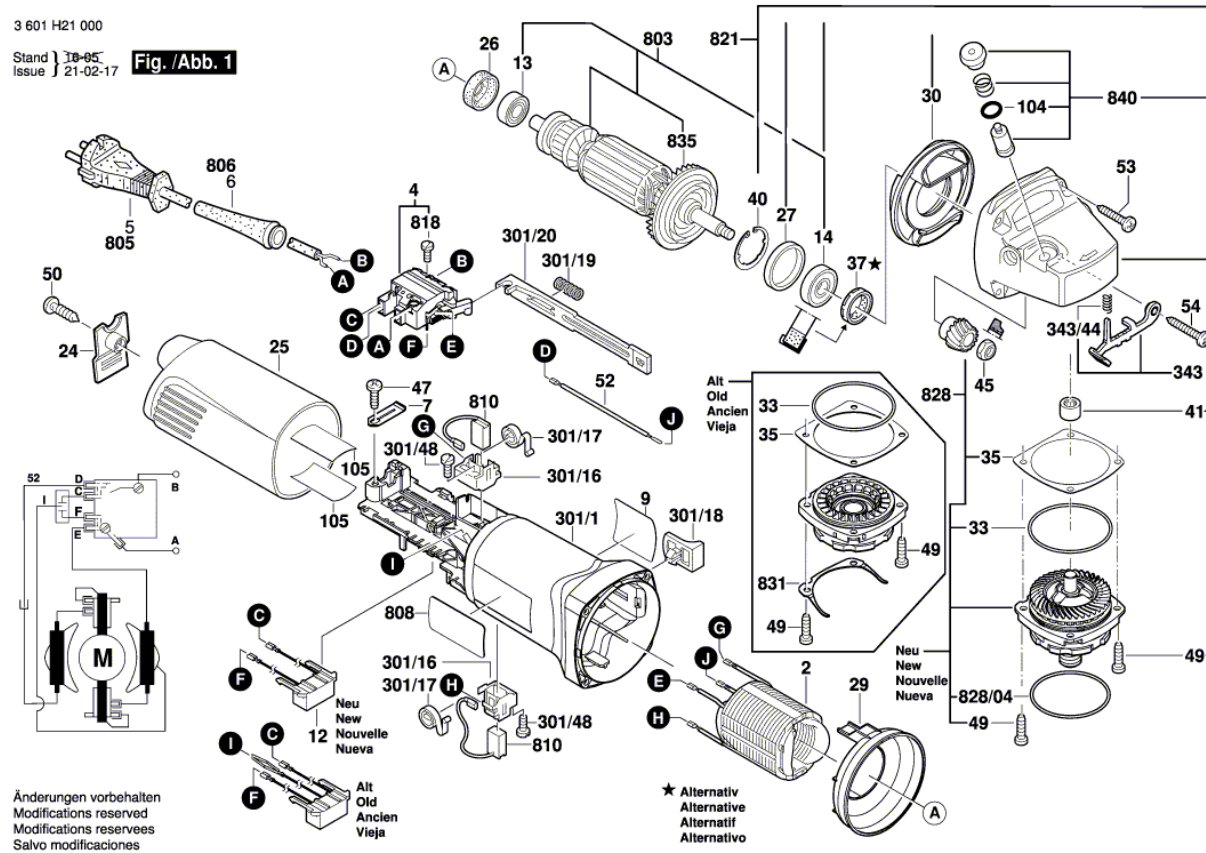
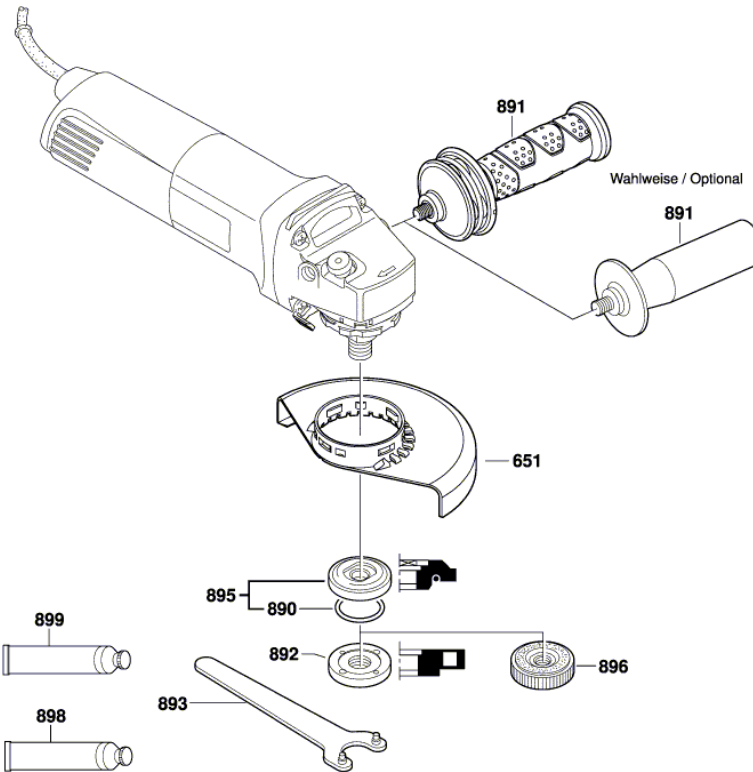


Illustration - Type - E

3 601 H21 000

Stand } 07-92
Issue } 14-03-27 **Fig./Abb. 2**



Änderungen vorbehalten
Modifications reserved
Modificaciones reservadas
Salvo modificaciones