



BOSCH

Gw Universal Router

GUF 4-22 A | 0 601 607 139

Table of Content

Spare parts list.....	2
Illustration - Type.....	6

Spare parts list

Item	Part Number	Description	Illustration
201	1 605 108 2CC	Motor Housing	1
202	1 604 220 226	Field 110-120V	1
204	1 607 200 086	On-Off Switch	1
204/10	2 910 110 048	Pan head screw DIN 85-AM3x6-CUZN	1
205	1 604 460 138	Power supply cord USA/CDN 2,15m 2 x 082mm SJ 18/2	1
206	2 600 703 012	Grommet Ø6,5-Ø6,9x95 MM	1
206	2 600 703 013	Grommet Ø7,6-Ø8,2x95 MM	1
207	1 601 302 017	Fastening Clamp	1
209	3 601 119 054	Manufacturer's nameplate	1
213	2 600 905 032	Ball Bearing 7x19x6	1
214	1 600 905 011	groove ball bearing 8x22x7	1
215	1 606 610 121	Fan	1
216	1 600 A00 3G4	Brush Holder	1
217	1 601 110 231	Manufacturer's nameplate DOUBLE INSULATION	1
218	1 604 611 026	Compression Spring	1
222	1 602 319 002	Adjusting Slide	1
223	1 602 026 060	Switch Handle GRAY	1
225	1 600 508 010	Housing Cover BLUE	1
226	1 600 502 020	Rubber Bushing	1
227	1 600 206 025	Rubber Ring	1
229	1 601 328 005	Air-Deflector Ring	1
231	2 916 660 013	Retaining clip DIN 472-32x1,2 MM	1
232	1 603 523 101	Grinding Spindle M14, SW17	1
233	3 600 210 124	O-Ring 46,0x1,1 MM RED	1
235	1 600 136 010	Shim 0,2 MM THICK	1
235	1 600 136 011	Shim 0,3 MM THICK	1
235	1 600 136 012	Shim 0,1 MM THICK	1
236	1 600 150 011	Spring Washer	1
237	1 600 290 016	Rotary shaft lip seal	1
238	1 606 333 601	Crown Gear Z=36	1
239	1 604 652 013	Spiral Spring	1
240	2 916 660 009	Spring retaining ring DIN 472-25x1,2MM	1
241	1 600 910 018	Needle bearing Ø8xØ12x8 MM	1
242	1 600 905 006	groove ball bearing 12x32x10	1

Spare parts list

Item	Part Number	Description	Illustration
243	1 606 333 242	Bevel Gear Z=11	1
245	1 603 300 016	Hex Nut M7, SW10	1
247	2 910 211 018	Tapping Screw DIN 7971-ST3,9x13-F	1
248	1 613 435 034	Lens Head Screw 3x10 ST	1
249	1 603 435 026	Thread-forming tap. Screw	1
250	2 910 211 021	Tapping Screw DIN 7971-ST3,9x22-F	1
253	1 604 448 005	Connecting Cable L=95 MM WHITE	1
255	2 914 201 508	Torx Oval-Head Screw	1
266	1 601 110 449	Nameplate CAUTION	1
267	1 601 110 358	Reference Plate CAUTION	1
300	1 601 110 818	Reference Plate	1
304	1 601 008 003	Insulating Plate	1
305	1 601 110 453	Sticker	1
307	1 600 210 044	O-Ring 4,5x1,0 MM BLUE	1
810	1 607 014 116	Carbon-Brush Set	1
813	1 607 000 253	Push-Button BLACK	1
816	1 607 000 244	Parts Set	1
821	1 605 806 480	Gear Housing	1
828	1 607 000 936	Bearing Flange	1
830	1 604 010 261	Armature With Fan 115-120V	1
888	1 601 11A 3H3	Nameplate	1
3	3 601 329 011	Base Plate	2
4	3 602 013 006	Swivelling Lever	2
5	3 605 500 101	Covering hood	2
6	3 604 651 003	Torsion Spring	2
7	3 603 490 012	Swivelling Axis	2
8	3 602 200 001	Eccentric Disc	2
10	3 601 000 002	Thrust Member	2
11	3 601 329 013	Parallel-Guide	2
11/100	2 917 571 036	Straight Pin DIN 7-5h8x10-ST	2
11/10	3 601 328 004	Carrier	2
11/110	1 900 210 301	O-Ring 5x2 MM	2
11/130	2 910 281 201	Round-Head Bolt DIN 603-M6x20	2
11/150	2 910 545 193	Countersunk-Head Screw DIN 7991-M6x12-8.8	2

Spare parts list

Item	Part Number	Description		Illustration
11/160	2 910 211 020	Tapping Screw	DIN 7971-BZ3,9x19	2
11/170	2 607 950 004	Offset Screwdriver	DIN 911-4	2
11/20	3 601 328 005	Stop Plate		2
11/30	3 601 328 006	Handle		2
11/40	3 601 328 007	Plastic Bar		2
11/50	3 601 006 001	Rubber Bar		2
11/60	3 601 006 002	Rubber Plate		2
11/70	1 603 339 006	Wing Nut	M6	2
11/90	2 916 011 014	Plain Washer	DIN 125-A 6,4-ST	2
12	3 603 340 009	Round Nut	M14	2
13	3 600 328 032	Clamping-Flange		2
14	2 602 305 045	Detent Pin		2
15	3 601 119 084	Reference Plate		2
16	1 601 110 481	Manufacturer's nameplate	SHADOW SIDE	2
17	3 603 490 014	Knurled Thumbscrew		2
18	2 910 141 152	Hex Socket Head Cap Screw	DIN 912-M5x10-8.8	2
19	2 916 080 007	Locking Washer	DIN 6799-4-FSt	2
20	3 604 611 018	Compression Spring		2
21	2 915 121 005	Square Nut	DIN 562-M5-04	2
22	2 910 095 201	Pan head screw	DIN 85-M6x20-4.8	2
23	3 602 380 000	Carrier Bracket		2
24	3 603 349 000	Self-locking nut		2
28	3 601 329 012	Scale Plate		2
29	2 600 100 576	Shim	0,3 MM	2
30	3 601 119 074	Sticker		2
31	3 601 251 001	Vertebras		2
32	3 601 923 000	Tensioning Lever		2
33	2 600 100 569	Shim	1,0 MM	2
34	3 601 032 001	Adjusting Plate		2
35	2 918 750 129	Spring Washer	DIN 137-A6-X12CrNi17 7	2
36	2 914 471 401	Thread-forming tap. Screw	DIN 7500-TM4x12	2
37	3 600 190 018	Locking Washer		2
49	2 910 021 133	Socket head cap screw	DIN 84-AM4x28-8.8	2
650	1 602 025 09T	Auxiliary Handle		2

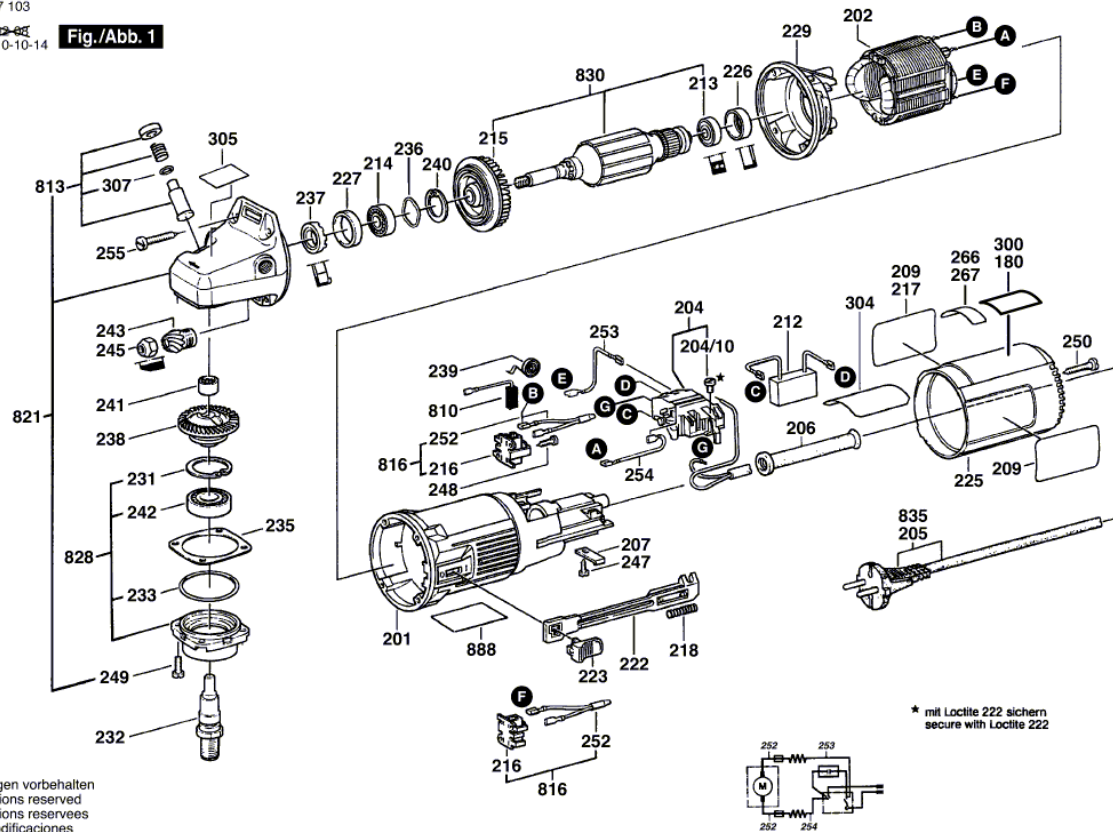
Spare parts list

Item	Part Number	Description	Illustration
651	1 607 950 052	Pin-Type Face-Wrench	2
652	1 605 411 028	Dust Bag	2
652/10	2 605 702 009	Fitting	2
653	3 601 329 004	Parallel-Guide	2
655	2 605 702 019	Elbow	2
700	3 608 641 001	Side-Milling Cutter Ø 105x20x2,2 MM, Z=12	2
700	3 608 641 008	Side-Milling Cutter Z=8	2
700	3 608 641 009	Side-Milling Cutter Z=10, 2,8 MM	2
702	1 600 499 005	Fitting Ø 25x35 MM	2
800	3 607 031 215	Assembly Of Service Parts	2

Illustration - Type - E

0 601 607 103
 Stand 1 10-14
 Issue J 10-10-14

Fig./Abb. 1



Änderungen vorbehalten
 Modifications reserved
 Modificaciones reservadas
 Salvo modificaciones

Illustration - Type - E

0 601 607 103

Stand 10-08-11
Issue J 10-10-14

Fig./Abb. 2

