



BOSCH

Table Saw

GTS 10 J | 3 601 M30 581

Table of Content

Spare parts list.....	2
Illustration - Type.....	8

Spare parts list

Item	Part Number	Description
22	2 610 014 697	Screw
25	2 610 014 698	Nut
26	2 610 996 920	Connecting Nut
27	2 610 014 699	Handle
28	2 610 015 000	Cam
29	2 610 015 001	Washer
30	2 610 015 002	Spring retaining ring
33	2 610 017 004	Rod
34	2 610 017 005	Extension Stand
35	2 610 015 006	Retaining Plate
36	2 610 910 015	Collar bolt
37	2 610 355 325	Spring Washer
38	2 610 910 013	Washer
39	2 610 015 008	Nut
40	2 610 015 009	Handle
41	2 610 015 010	Pointer
42	2 610 950 077	Screw
44	2 610 023 173	Pad
88	2 610 017 009	Scale
129	2 610 017 111	Insert
132	1 600 A00 726	Sliding Plate
133	2 610 950 108	Screw
134	2 610 015 027	Support Plate
137	2 610 017 019	Table
138	1 600 A00 724	Mounting Rail
146	2 610 015 030	End cap
149	2 610 015 031	Spring retaining ring
164	2 610 017 023	Fastening parts kit
176	2 610 017 020	Fastening parts kit
182	2 610 016 558	Nut
184	2 610 013 053	Set screw
200	2 610 017 029	Screw
201	2 610 017 030	Spring Clip
204	2 610 015 054	Guard Plate
205	2 610 016 562	Rod

Spare parts list

Item	Part Number	Description
206	2 610 016 563	Contact strap
207	2 610 923 830	Plate
208	2 610 010 404	Screw
229	2 610 015 067	Spring
230	2 610 996 912	Fixing Plate
231	2 610 015 091	Sliding Rail
234	2 610 951 945	Screw
252	2 610 017 035	Mitre Fence
259	2 610 016 565	Contact strap
260	2 610 017 039	Safety Cover
263	2 610 017 041	Mitre Fence
264	2 610 015 074	Rail
265	2 610 015 075	Washer
266	2 610 015 076	Device cap
267	2 610 950 134	Bolt
269	2 610 015 077	Plate
273	2 610 015 080	Screw
279	2 610 018 374	Protective Cover
280	2 610 017 047	Mitre Fence
281	2 610 015 507	Mitre Gauge
286	2 610 015 093	Lock
299	2 610 017 057	Screw
1	1 619 PB2 487	Motor Housing
2	1 609 203 K86	Field 230V
3	1 619 P03 278	Armature 230V
6	1 609 203 K96	Cable Clip
10	2 610 018 332	Carbon-Brush Set
13	2 610 004 595	Ball Bearing
14	2 610 911 927	Ball Bearing
32	2 610 017 003	Pin
72	2 610 950 069	Screw
82	2 610 911 566	Bearing cover
86	2 610 017 007	Support bracket
102	1 609 902 670	Screw
103	2 610 327 868	Nut

Spare parts list

Item	Part Number	Description
109	2 610 998 587	Screw
112	2 610 017 013	End cap
113	2 610 911 933	Connector
117	2 610 018 983	Screw NEU
118	2 610 950 042	Spring Washer
119	1 600 A01 D91	Cover
120	2 610 950 044	Screw
121	2 610 996 949	Ball Bearing
123	2 610 997 281	Spring retaining ring
124	2 610 998 572	Screw
125	2 610 996 875	Torsion Spring
126	2 610 996 874	Locking Lever
127	2 610 996 876	Shoulder Screw
128	2 610 998 588	Screw
130	2 610 017 017	Gear Housing
131	2 610 937 293	Retaining ring
136	2 610 017 008	Retaining clip
140	1 609 902 054	Set screw
141	2 610 911 929	Screw
143	2 610 911 569	Insert
144	2 610 996 948	Rubber Ring
145	2 610 950 071	Screw
150	2 610 996 932	Bearing Sleeve
151	2 610 017 001	Vacuum Connection
152	2 610 997 210	Ball Bearing
153	2 610 997 282	Spring retaining ring
154	2 610 017 021	Spindle
155	2 610 012 984	Woodruff Key
156	2 610 997 208	Toothed Gear
157	2 610 017 018	Bushing
158	2 610 998 573	Spring retaining ring
159	2 610 950 427	Set screw
160	2 610 017 022	Chain
161	2 610 950 126	Mounting Bracket
162	2 610 950 070	Bushing

Spare parts list

Item	Part Number	Description
163	2 610 015 035	Support bracket
165	2 610 017 024	Holding Plate
166	2 610 017 025	Rod
167	2 610 015 038	Bolt
168	2 610 015 039	Washer
169	2 610 015 040	Support Plate
170	2 610 950 055	Screw
171	2 610 017 026	Rod
172	2 610 015 042	Bevel Gear
173	2 610 013 162	Washer
174	2 610 015 043	Bushing
177	2 610 015 045	Screw
178	2 610 017 027	Shaft
179	2 610 015 047	Support Plate
180	2 610 015 048	Bushing
183	2 610 015 049	Bushing
185	2 610 016 559	Screw
186	2 610 015 050	Cover
187	2 610 950 049	Screw
188	2 610 017 037	Electronics Module
189	2 610 015 051	Dust-Cover Holder
190	2 610 015 052	Screw
191	2 610 015 053	Spring retaining ring
192	2 610 017 028	Retaining clip
196	2 610 015 055	Guard Plate
202	2 610 017 033	Safety Guard
203	2 610 950 439	Screw
209	2 610 017 031	Screw
210	2 610 015 058	Washer
211	2 610 911 920	Rubber Bushing
212	2 610 015 059	Wrench Socket
214	2 610 017 110	Washer
235	1 609 203 L56	Clamping Flange
237	2 610 950 046	Clamping Flange
238	2 610 358 858	Nut

Spare parts list

Item	Part Number	Description
248	2 610 017 034	Safety Cover
253	2 610 017 036	Rod
254	2 610 017 052	Screw
256	2 610 998 580	Screw
257	2 610 017 038	Nut
258	2 610 015 070	Screw
262	2 610 017 040	Connecting Cable
271	2 610 013 365	Spring Washer
283	2 610 016 567	Hexagon Socket Wrench
285	2 610 023 174	Serrated Lock-Washer
288	2 610 017 049	Riving Knife
291	2 610 017 051	Washer
292	2 610 950 109	Washer
296	2 610 015 065	Screw M5x8
298	2 610 017 056	Rod
300	2 610 017 058	Torsion Spring
302	2 610 017 060	Safety Guard
305	2 610 020 858	Baffle
816	1 609 B07 133	brush holder assembly
4	2 610 016 997	Switch
5	2 610 019 135	Power supply cord
7	2 610 014 693	Cable Clip
18	2 610 015 078	Screw
19	2 610 017 002	Screw
73	2 610 015 011	Washer
74	2 610 015 012	Bolt
75	2 610 925 438	Washer
76	2 610 015 014	Supporting foot
77	2 610 015 015	Screw
78	2 610 015 016	Handle
79	2 610 015 017	Holding Plate
80	2 610 015 018	Screw
81	2 610 015 019	Key
83	2 610 015 021	Nut
84	2 610 015 022	Workpiece Pusher

Spare parts list

Item	Part Number	Description
122	2 610 017 015	Filter
142	2 610 911 901	Self-locking nut
175	2 610 015 044	Washer
181	2 610 016 557	Washer
193	2 610 016 560	Stud bolt
194	2 610 016 561	Screw
195	2 610 925 187	Nut
197	2 610 950 132	Screw
198	2 610 015 073	Plate
213	2 610 017 032	Holding Plate
215	2 610 347 092	Plain Washer
216	2 610 017 046	Insulator
217	2 610 015 061	Bushing
218	2 610 015 062	Handle
219	2 610 924 961	Nut
220	2 610 015 359	Screw
221	1 600 A00 725	Cam
225	2 610 015 064	Pointer
227	2 610 013 054	Contact strap
228	2 610 015 066	Switch Housing
239	2 610 015 069	Handwheel
242	2 610 950 059	Handle
243	2 610 950 060	Screw
261	2 610 015 071	Switch Housing
270	2 610 950 117	Screw
274	2 610 950 135	Washer
275	2 610 016 566	Washer
287	2 610 019 126	Base
289	2 610 017 050	Rod
290	2 610 950 389	Washer
294	2 610 017 053	Holder
295	2 610 017 054	Holder
343	2 610 020 856	Cable Clip
808	1 619 PB2 521	Nameplate

Illustration - Type - E

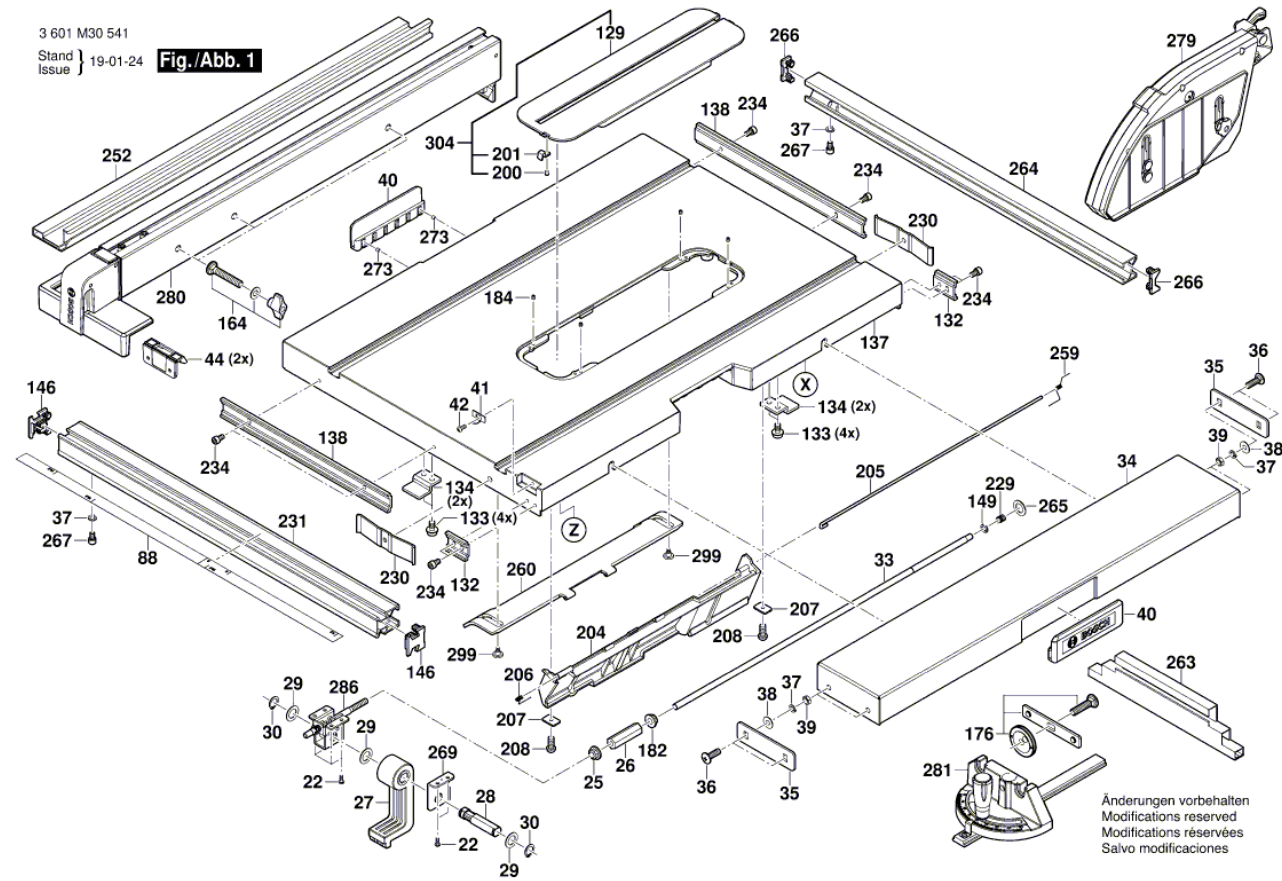


Illustration - Type - E

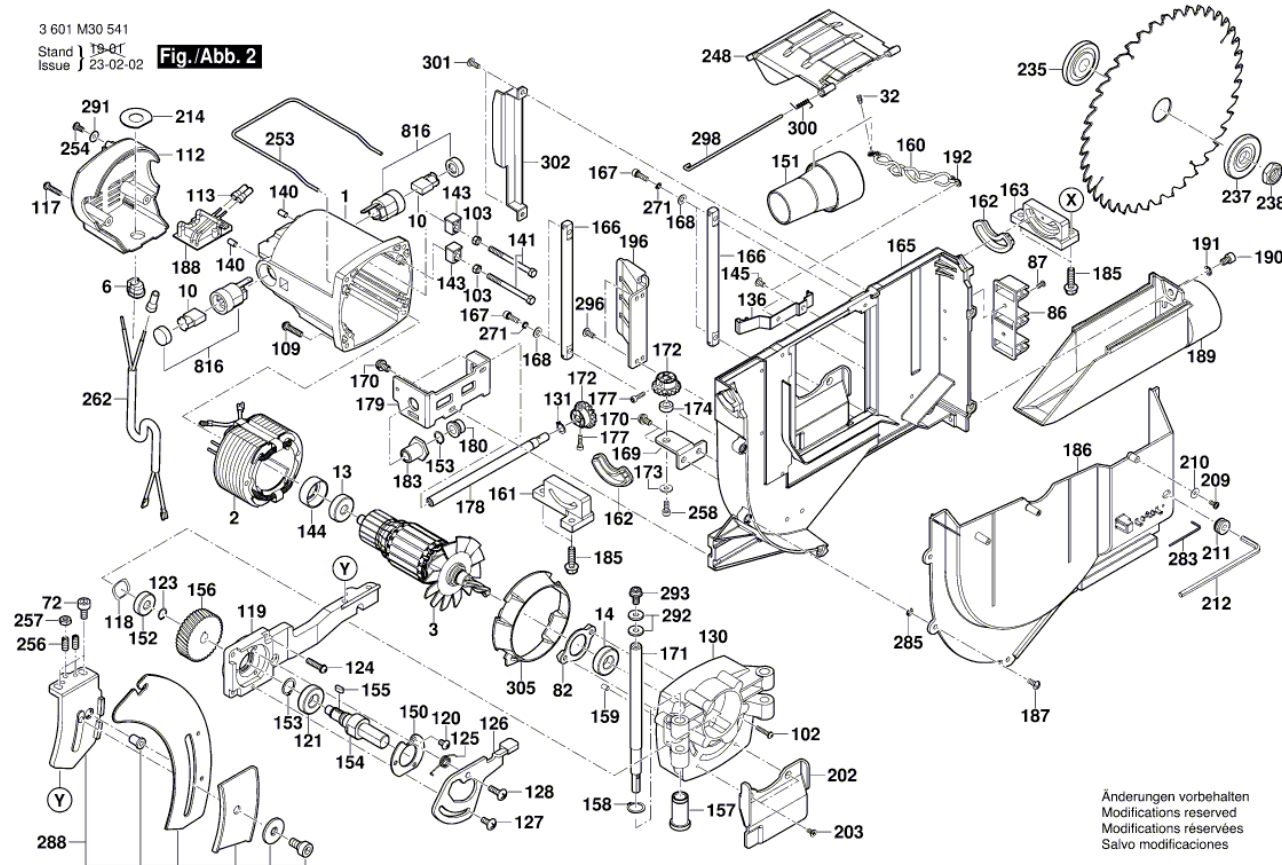


Illustration - Type - E

