

Table Saw - 3 601 M13 510 - GTS1041A

www.powertools-aftersaleservice.com



BOSCH

Item	Part Number	Description	Illustration	Price	Quantity	Price Group
1	1 605 108 2DX	Motor Housing	3	-,-	1	28
2	1 604 220 54Z	Field	3	-,-	1	40
4	2 610 026 755	Switch Assembly	6	-,-	1	30
5	1 600 A00 8D7	Power Cable	6	-,-	1	37
6	2 610 950 038	Grommet	4	-,-	2	11
7	2 610 358 842	Clamp	6	-,-	3	11
10	2 610 997 207	Carbon-Brush Set	3	-,-	1	26
13	2 610 004 595	Ball Bearing	3	-,-	1	24
14	2 610 911 927	Ball Bearing	3	-,-	2	31
16	2 610 911 858	Brush Holder alt	3	-,-	2	27
18	2 610 015 078	Screw	3	-,-	8	10
19	1 603 430 02Z	Screw	6	-,-	1	10
22	2 610 026 766	Retention knob	2	-,-	1	13
23	2 610 026 744	Table	1	-,-	1	52
24	1 600 A00 HG9	Plain Washer	2	-,-	1	10
25	1 604 612 010	Compression Spring	2	-,-	1	-
26	2 610 937 294	Cam	1	-,-	1	22
27	2 610 996 918	Set screw	1	-,-	1	12
28	2 610 997 274	Pin	1	-,-	2	10
29	2 610 996 913	Pin	1	-,-	2	16
30	2 610 996 917	Plate	1	-,-	2	11
31	1 600 A00 N7E	Pin	1	-,-	1	10
32	2 610 937 292	Guide Pin	1	-,-	1	11
33	2 610 026 762	Rod	1	-,-	1	17
34	2 610 996 915	Clamping Piece	1	-,-	1	23
35	2 610 014 698	Nut	1	-,-	1	10
36	2 610 996 920	Connecting Nut	1	-,-	1	18
37	2 610 996 921	Holding Bracket	1	-,-	4	11
38	2 610 996 912	Fixing Plate	1	-,-	2	18
39	2 610 026 763	Table	1	-,-	1	36
40	2 610 950 086	fixing plate	1	-,-	2	17
41	2 610 950 087	Screw	1	-,-	4	10
42	2 610 910 013	Washer	1	-,-	4	12

Item	Part Number	Description	Illustration	Price	Quantity	Price Group
43	2 610 355 325	Spring Washer	1	-,-	4	10
44	2 610 304 772	Nut	1	-,-	4	11
45	2 610 950 136	Mounting Bracket	1	-,-	1	18
46	2 610 950 137	Rubber Bushing	1	-,-	1	17
47	2 610 950 138	Rubber Bushing	1	-,-	2	10
48	2 610 950 139	Screw	1	-,-	4	10
49	1 600 A00 724	Mounting Rail	1	-,-	2	12
50	2 610 950 075	Mounting Rail	1	-,-	2	21
51	2 610 951 945	Screw	1	-,-	8	10
57	1 600 300 10Z	Bushing	4	-,-	1	16
58	2 610 998 573	Spring retaining ring	4	-,-	2	10
64	2 610 033 743	Aligning plate	4	-,-	1	-
65	1 603 430 025	Screw	4	-,-	1	10
66	1 603 430 00P	Screw	4	-,-	2	10
67	2 610 033 762	Cable assembly	4	-,-	1	29
68	2 610 026 792	Plug	4	-,-	1	22
69	1 600 A00 J2F	Cable Clip	4	-,-	1	10
70	1 600 A00 J2G	Screw	4	-,-	1	10
71	2 610 026 718	Hinge Bracket	4	-,-	1	35
72	1 603 430 03J	Screw	4	-,-	1	10
77	2 610 033 749	Wear Plate	4	-,-	1	11
78	2 610 950 453	Washer	4	-,-	1	10
79	1 603 430 02N	Screw	4	-,-	1	10
81	2 610 327 846	Ball Bearing	4	-,-	1	27
82	2 610 026 732	Bolt	4	-,-	1	10
83	2 610 026 733	Bearing Housing	4	-,-	1	19
84	2 610 033 766	Bearing Retaining Ring	4	-,-	1	11
85	2 610 018 345	Screw	3	-,-	8	10
86	1 600 A00 F1Z	Cable	4	-,-	1	19
87	2 610 018 230	Screw	4	-,-	4	10
88	2 610 033 744	Compression Spring	4	-,-	1	10
89	2 610 026 775	shaft lock	4	-,-	1	24
90	2 610 998 588	Screw	4	-,-	2	11
91	2 610 026 793	Shock Absorber	4	-,-	1	33
92	2 610 033 734	Hinge Shaft	4	-,-	1	22
93	2 610 033 736	Hinge Rod	4	-,-	1	12
94	2 610 033 735	Hinge Bolt	4	-,-	1	10
95	1 600 A00 NU1	Lock Nut	4	-,-	1	10
96	2 610 950 427	Set screw	4	-,-	2	10
97	1 600 A00 4BN	Washer	4	-,-	1	10
98	2 610 026 769	Ratchet	4	-,-	1	14
99	2 610 026 770	Washer	4	-,-	11	10
100	2 610 026 768	Ratchet	4	-,-	1	21
101	1 600 A00 J2L	Spring Washer	4	-,-	1	10
102	1 603 430 00R	Screw	4	-,-	2	12
103	1 600 A00 NU2	Extension Spring	4	-,-	2	10
104	2 610 026 707	Housing	3	-,-	1	41
105	2 610 996 949	Ball Bearing	3	-,-	1	26
106	2 610 026 727	Retaining Bracket	3	-,-	1	11
107	1 603 430 02P	Screw	3	-,-	2	10
108	2 610 026 756	Wear Plate	3	-,-	1	11
109	2 610 997 210	Ball Bearing	3	-,-	1	26
110	2 610 026 729	Gear Shaft	3	-,-	1	25

Item	Part Number	Description	Illustration	Price	Quantity	Price Group
111	2 610 997 282	Spring retaining ring	3	-,-	1	10
112	2 610 026 730	Gear Cover	3	-,-	1	20
113	2 610 026 722	Bearing Plate	3	-,-	1	11
114	2 610 012 984	Woodruff Key	3	-,-	1	10
115	2 610 997 208	Toothed Gear	3	-,-	1	35
116	2 610 997 281	Spring retaining ring	3	-,-	1	10
117	1 603 430 02R	Screw	3	-,-	17	-
118	1 600 190 045	Magnet	3	-,-	1	12
119	2 610 911 566	Bearing cover	3	-,-	1	14
120	2 610 998 571	Screw alt	3	-,-	2	10
121	2 610 026 787	Rotational Speed Sensor	3	-,-	1	19
122	2 610 026 728	End cap	3	-,-	1	19
123	2 610 950 120	Set screw	3	-,-	2	10
124	2 610 911 901	Self-locking nut	1	-,-	4	11
125	2 610 911 569	Insert	3	-,-	2	13
126	2 610 911 929	Screw	3	-,-	2	10
127	1 600 A00 C0U	Power Cable	3	-,-	1	22
128	2 610 998 567	Clamp Bushing	3	-,-	1	10
129	2 610 911 933	Connector	3	-,-	2	10
130	2 610 320 330	Screw	3	-,-	3	10
131	1 609 902 050	Cable Strap	3	-,-	15	10
132	2 610 996 948	Rubber Ring	3	-,-	1	11
133	2 610 998 587	Screw	3	-,-	4	10
134	2 610 911 859	Brush-Cover Ø 20mm	3	-,-	2	12
135	1 600 A00 8AZ	V-Belt Pulley	3	-,-	2	29
136	2 610 934 688	Nut	3	-,-	2	12
137	1 600 A00 J3A	Plain Washer	3	-,-	4	10
138	1 600 A00 J3B	Screw	3	-,-	4	10
139	1 600 A00 J3C	Screw	4	-,-	1	10
140	1 600 A00 3L5	Spacer	3	-,-	2	10
141	1 600 A00 8ED	Belt	3	-,-	1	40
142	2 610 026 724	Guide Bushing	4	-,-	142	14
143	1 600 A00 J3D	Screw	4	-,-	2	10
144	2 610 026 737	Threaded Rod	5	-,-	1	28
145	2 610 996 896	Toothed Gear	5	-,-	1	18
146	2 610 018 235	End stop	5	-,-	1	11
147	2 610 950 054	Pin	5	-,-	3	10
148	2 610 950 109	Washer	5	-,-	2	10
149	2 610 950 108	Screw	5	-,-	1	10
150	2 610 912 588	Plain Washer	5	-,-	1	10
151	2 610 033 738	Gear Block	5	-,-	1	25
152	2 610 026 719	Guide Rod	5	-,-	1	29
153	2 610 026 720	Guide Rod	5	-,-	1	25
154	2 610 026 721	Retaining ring	5	-,-	2	10
155	2 610 992 380	Spring retaining ring	5	-,-	2	10
156	1 600 A00 J3E	Screw	5	-,-	2	10
157	2 610 912 587	Plain Washer	5	-,-	1	10
158	2 610 358 149	Nut	5	-,-	2	10
159	2 610 997 212	Mounting Bracket	5	-,-	1	14
160	2 610 997 222	Bushing	5	-,-	1	11
161	2 610 997 277	Spring retaining ring	5	-,-	1	10
162	2 610 026 738	Rod	5	-,-	1	22
163	2 610 997 276	Spring retaining ring	5	-,-	1	10

Item	Part Number	Description	Illustration	Price	Quantity	Price Group
164	2 610 996 933	Threaded Bushing		5	-,-	1 26
165	2 610 033 739	Lock Plate		5	-,-	1 19
166	2 610 950 110	Screw		5	-,-	2 10
167	2 610 950 055	Screw		5	-,-	3 10
168	2 610 026 713	Rear Panel		5	-,-	1 20
169	1 603 430 02S	Screw		5	-,-	5 10
171	1 603 430 02T	Screw		5	-,-	5 10
172	1 600 A00 J3R	Cable Clip		5	-,-	1 10
173	1 600 210 073	O-Ring		5	-,-	1 10
175	1 600 A00 J19	Cable Clip		5	-,-	1 11
176	1 600 A00 F20	Cable		5	-,-	1 18
177	2 610 033 740	Data cable		5	-,-	1 34
178	1 600 A00 J3S	Cable Clip		5	-,-	2 10
179	1 600 A00 J3T	Cable Clip		5	-,-	1 10
180	2 610 908 270	Washer		2	-,-	2 11
181	1 600 A00 J96	Cable Clip		4	-,-	1 15
182	1 603 430 02U	Screw		4	-,-	1 -
183	2 610 026 735	Mounting Bracket		2	-,-	2 28
184	2 610 026 736	bushing clamp		2	-,-	2 12
185	1 603 430 02E	Screw		2	-,-	5 10
186	1 603 430 03U	Screw		2	-,-	4 10
187	1 603 430 026	Screw		2	-,-	1 10
193	1 600 A00 J9P	Set screw		4	-,-	3 10
194	2 610 950 045	Washer		4	-,-	1 20
196	2 610 950 046	Washer		4	-,-	1 24
197	2 610 950 047	Arbor		4	-,-	1 11
198	1 603 430 029	Screw		1	-,-	2 10
200	2 610 026 712	Front Plate		1	-,-	1 28
201	1 603 430 02V	Screw		1	-,-	4 10
202	2 610 950 132	Screw		1	-,-	2 10
203	2 610 016 566	Washer		1	-,-	2 10
204	2 610 996 929	End stop		1	-,-	2 11
205	1 603 430 037	Set screw		1	-,-	4 10
206	2 610 997 271	Spring		5	-,-	1 11
207	2 610 998 550	Plain Washer		5	-,-	1 11
208	2 610 997 299	Plain Washer		5	-,-	1 11
209	2 610 997 298	Nut		5	-,-	1 17
210	1 619 PA3 395	Clamping Lever		5	-,-	1 -
211	2 610 015 359	Screw		5	-,-	1 10
212	2 610 950 114	Washer		5	-,-	3 10
213	2 610 950 129	Plain Washer		5	-,-	1 10
214	2 610 950 115	Spring		5	-,-	1 10
215	2 610 950 057	Handwheel		5	-,-	1 26
216	2 610 950 389	Washer		5	-,-	1 10
217	2 610 950 059	Handle		5	-,-	1 10
218	2 610 950 060	Screw		5	-,-	1 12
219	2 610 950 058	Screw		5	-,-	1 10
220	2 610 018 244	Linkage		1	-,-	1 25
221	2 610 937 293	Retaining ring		1	-,-	4 10
222	2 610 937 291	Mounting Bracket		1	-,-	2 14
223	2 610 921 458	Washer		1	-,-	2 10
224	2 610 018 245	Clamping Lever		1	-,-	1 24
225	2 610 950 071	Screw		1	-,-	12 10

Item	Part Number	Description	Illustration	Price	Quantity	Price Group
226	2 610 026 709	Dust-Protection Cover		5	-,-	1 27
227	2 610 016 564	Screw		5	-,-	5 10
237	2 610 950 068	Clamp		6	-,-	1 12
238	2 610 950 141	Clamp		6	-,-	1 11
239	2 610 998 574	Screw		6	-,-	2 10
240	1 600 A00 72W	Spring Clip		6	-,-	1 10
241	1 600 A00 J4T	Cable guide plate		6	-,-	2 11
242	2 610 911 920	Rubber Bushing		6	-,-	1 10
243	1 600 A00 3PG	Hexagon Socket Screw Key		6	-,-	1 12
244	2 610 026 705	Cartridge		4	-,-	1 53
246	2 610 950 067	Screw		6	-,-	1 11
247	2 610 997 246	Nut		6	-,-	1 11
248	2 610 996 880	Box Wrench		6	-,-	1 17
249	1 600 A00 9V5	Hook Wrench		6	-,-	1 14
250	2 610 997 247	Wing Nut		6	-,-	1 15
251	2 610 033 775	Company Logo		6	-,-	1 19
252	1 600 A00 M72	Washer		2	-,-	2 10
253	1 600 A00 M9S	Cap		4	-,-	1 10
254	2 610 997 297	Screw		6	-,-	4 10
256	2 610 026 798	Shock Absorber		6	-,-	1 12
257	2 610 026 703	Electronic Assembly		6	-,-	1 53
258	1 603 430 02X	Screw		6	-,-	2 10
259	2 610 026 799	Switch Button		6	-,-	1 11
260	2 610 026 753	Hinge Shaft		6	-,-	1 11
261	1 604 601 02Y	retaining ring CVT shaft		6	-,-	1 10
262	2 610 018 319	Screw		1	-,-	1 10
263	1 600 A00 J52	Toothed lock washer		1	-,-	2 10
264	2 610 911 872	Cable Clip		1	-,-	3 10
265	1 603 430 030	Screw		1	-,-	2 10
266	2 610 347 092	Plain Washer		1	-,-	2 10
267	2 610 033 774	.		6	-,-	1 20
267	2 610 033 774	accessory holder		6	-,-	1 20
268	2 610 033 776	Base		6	-,-	1 38
269	2 610 358 846	Rubber Bushing		6	-,-	4 11
270	2 610 950 062	Pointer		5	-,-	1 13
271	2 610 950 061	Screw		5	-,-	1 10
272	2 610 026 765	Rail		1	-,-	1 33
273	1 600 A00 N5S	Cap		1	-,-	1 11
274	1 600 A00 N5T	Cap		1	-,-	1 11
275	2 610 026 764	Profile Rail		1	-,-	1 36
276	2 610 950 082	Cap		1	-,-	1 21
277	2 610 950 133	Screw		1	-,-	4 10
278	2 610 950 083	Plate		1	-,-	1 21
279	2 610 950 080	Washer		1	-,-	1 10
280	2 610 950 119	Screw		1	-,-	1 10
281	1 600 A00 3K1	Cap		1	-,-	1 11
282	2 610 950 078	Pointer		1	-,-	1 15
283	2 610 950 077	Screw		1	-,-	1 10
284	1 600 A00 F8V	Cover Plate		5	-,-	1 11
285	1 600 A00 J53	Riving Knife		5	-,-	1 43
286	2 610 950 069	Screw		5	-,-	2 10
288	2 610 950 100	Clamping Plate		2	-,-	1 11
289	2 610 997 249	Shoulder Screw		2	-,-	2 10

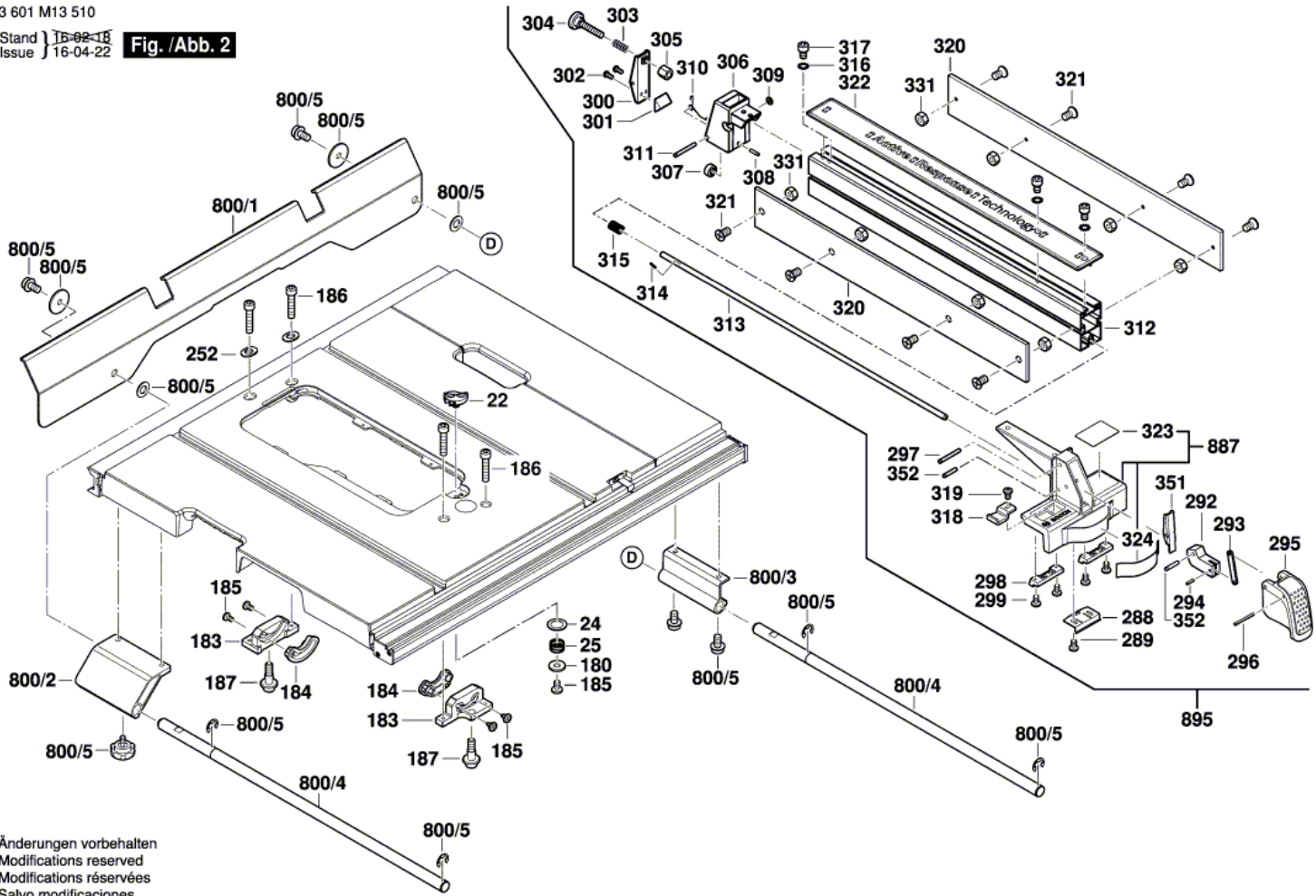
Item	Part Number	Description	Illustration	Price	Quantity	Price Group
292	2 610 996 889	Cam	2	-,-	1	24
293	2 610 996 890	Lever	2	-,-	1	10
294	2 610 997 289	Pin	2	-,-	1	10
295	2 610 033 770	Handle	2	-,-	1	26
296	1 600 A00 J54	Pin	2	-,-	1	10
297	1 600 A00 J55	Pin	2	-,-	1	10
298	1 600 A00 8BG	Slide	2	-,-	2	12
299	2 610 950 111	Screw	2	-,-	5	-
300	2 610 996 885	Clamping Plate	2	-,-	1	17
301	2 610 997 240	Clamping Piece	2	-,-	1	12
302	2 610 997 293	Screw	2	-,-	2	10
303	2 610 998 593	Spring	2	-,-	1	10
304	1 603 430 031	Adjusting Screw	2	-,-	1	13
305	2 610 028 342	Cap Nut	2	-,-	1	11
306	2 610 950 107	Edge Guide	2	-,-	1	27
307	2 610 996 886	Roller	2	-,-	1	11
308	2 610 997 292	Pin	2	-,-	1	11
309	2 610 018 300	Washer	2	-,-	1	10
310	1 600 A00 J57	Contact strap	2	-,-	1	10
311	2 610 950 097	Bolt	2	-,-	1	12
312	1 600 A00 M32	Profile Rail	2	-,-	1	37
313	1 600 A00 M33	Pin	2	-,-	1	19
314	2 610 950 105	Pin	2	-,-	1	10
315	2 610 996 888	Spring	2	-,-	1	11
316	2 610 358 802	Washer	2	-,-	5	11
317	2 610 950 125	Screw	2	-,-	4	10
318	2 610 033 771	Lens	2	-,-	1	12
319	1 603 430 032	Screw	2	-,-	1	10
320	2 610 026 772	Insulating Plate	2	-,-	2	25
321	1 603 430 033	Screw	2	-,-	8	10
322	1 600 A00 7HD	Cover Plate	2	-,-	1	20
323	6 082 942 8EH	Label	2	-,-	1	10
324	6 082 942 8EG	Label	2	-,-	1	11
327	2 610 026 742	Wear Plate	1	-,-	1	15
328	1 603 430 034	Screw	1	-,-	4	10
329	2 610 950 091	Set screw	1	-,-	6	10
330	1 600 A00 J4V	Cable tie	5	-,-	1	11
331	1 600 A00 R0T	Lock Nut	2	-,-	8	10
333	2 610 950 112	Pusher	6	-,-	1	21
338	6 082 942 8EF	Label	1	-,-	1	16
339	2 610 997 817	Adhesive Label	1	-,-	1	15
340	2 610 033 752	Label	6	-,-	1	16
341	2 610 033 751	Label	6	-,-	1	15
342	2 610 033 753	Label	6	-,-	1	15
343	2 610 033 754	Label	6	-,-	1	15
344	2 610 033 756	Label	6	-,-	1	15
345	2 610 033 757	Label	6	-,-	1	15
346	2 610 033 755	Label	1	-,-	1	19
347	2 610 033 760	Label	6	-,-	1	11
348	2 610 033 761	Label	6	-,-	1	10
349	6 082 942 8EJ	Label	6	-,-	1	20
351	2 610 950 098	Clamping Plate	2	-,-	1	13
352	2 610 997 291	Pin	2	-,-	2	10

Item	Part Number	Description	Illustration	Price	Quantity	Price Group
353	2 610 998 580	Screw	5	-,-	1	10
354	2 610 911 896	Nut	5	-,-	1	10
368	2 610 950 146	Washer	1	-,-	1	10
369	2 610 950 147	Screw	1	-,-	1	10
800/1	1 600 A00 MK8	Feed Table	2	-,-	1	32
800/2	1 600 A00 MK9	Bracket	2	-,-	1	28
800/3	1 600 A00 ML0	Bracket	2	-,-	1	25
800/4	1 600 A00 J5A	Sliding Rod	2	-,-	2	30
800/5	1 600 A00 ML1	Fastening parts kit	2	-,-	1	19
800/7	1 600 A00 MK5	Fastening parts kit	7	-,-	1	32
800/8	2 610 923 996	Supporting foot	7	-,-	2	35
800/9	2 610 009 637	Wheel	7	-,-	2	32
801	1 607 220 068	Motor assembly	3	-,-	1	56
803	1 600 A00 L19	Armature assembly	3	-,-	1	47
808	1 601 11A 39J	Name Plate	1	-,-	1	-
823	2 610 950 092	Protective Cover	1	-,-	1	43
826	1 600 A00 KZ1	Plate	1	-,-	1	47
828	1 600 A00 KZ2	Dust-Protection Cover	5	-,-	1	30
836	1 600 A00 KZ3	Base Housing	6	-,-	1	48
845	1 600 A00 KZ4	Door	6	-,-	1	27
852	1 600 A00 KZ5	Housing Frame	5	-,-	1	46
854	1 600 A00 KZ6	Carriage	3	-,-	1	42
855	1 600 A00 L00	Electronic Assembly	6	-,-	1	42
856	2 610 950 149	Miter Square	1	-,-	1	43
859	1 600 A00 KZ7	Housing Assembly	4	-,-	1	39
870	1 600 A00 L01	Electronic Assembly	5	-,-	1	57
873	1 600 A00 KZ8	Drop-In Bracket	4	-,-	1	45
880	2 610 950 093	Safety Device	1	-,-	1	33
887	1 600 A00 L03	Housing Assembly	2	-,-	1	35
889	1 600 A00 L5V	Sensor Assembly	4	-,-	1	37
895	1 600 A00 L04	Mitre Fence	2	-,-	1	50
899	1 600 A00 KZ9	Front Plate	1	-,-	1	35
306	2 610 950 107	.	2	-,-	1	27

3 601 M13 510

Stand } 15-02-18
Issue } 16-04-22

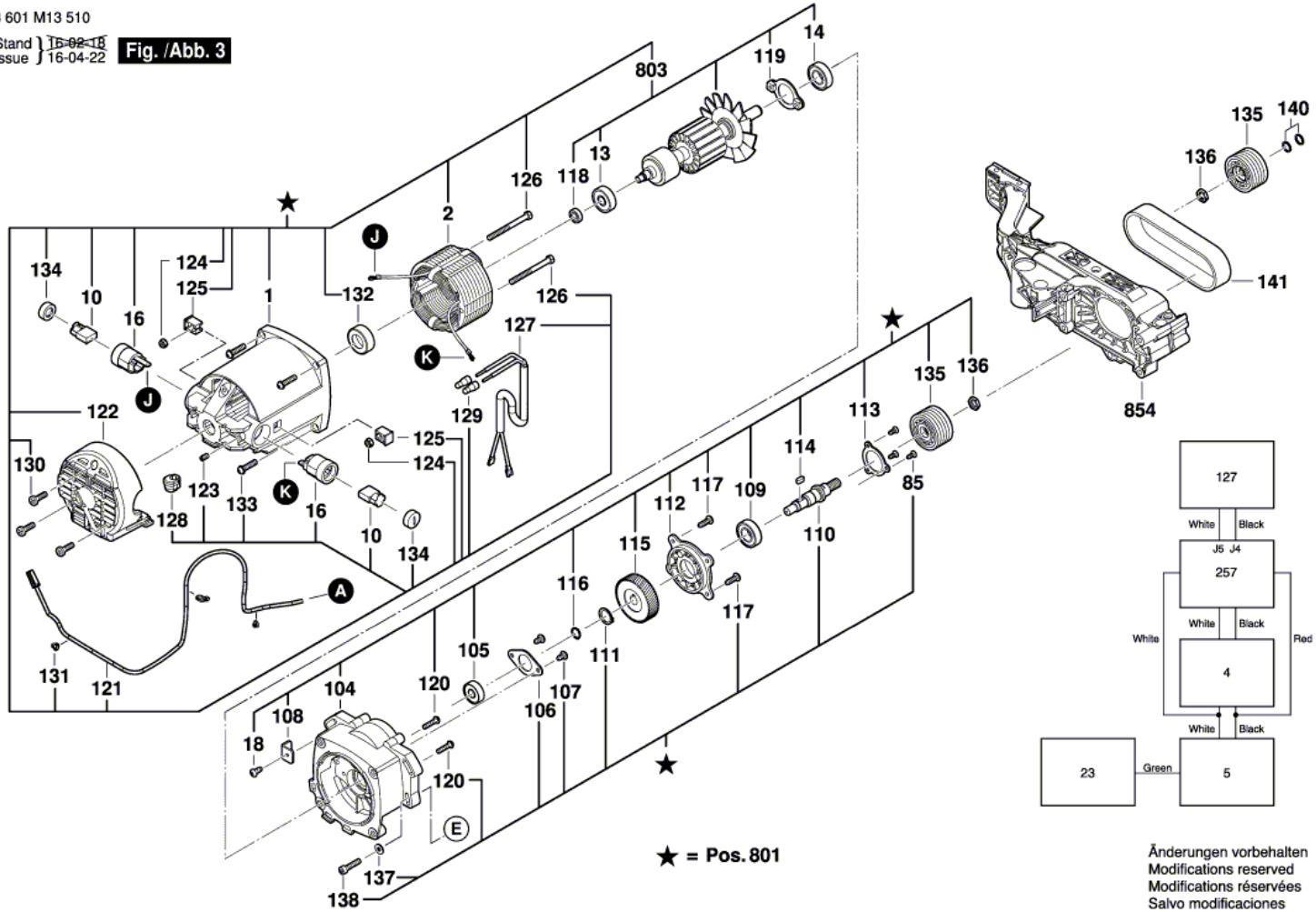
Fig. /Abb. 2



3 601 M13 510

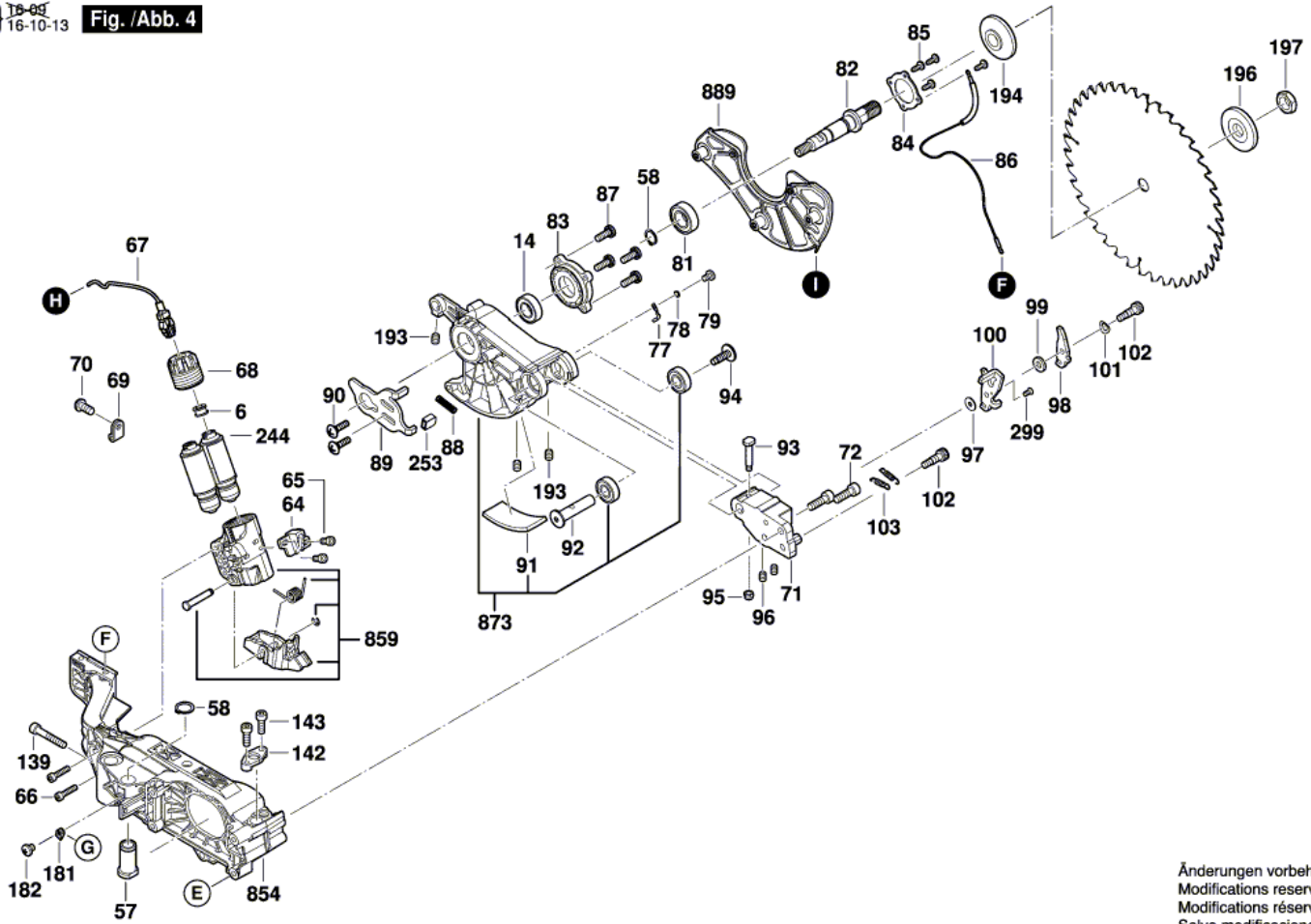
Stand } 15-02-18
Issue } 16-04-22

Fig. /Abb. 3



3 601 M13 510
Stand } 18-09
Issue } 16-10-13

Fig. /Abb. 4

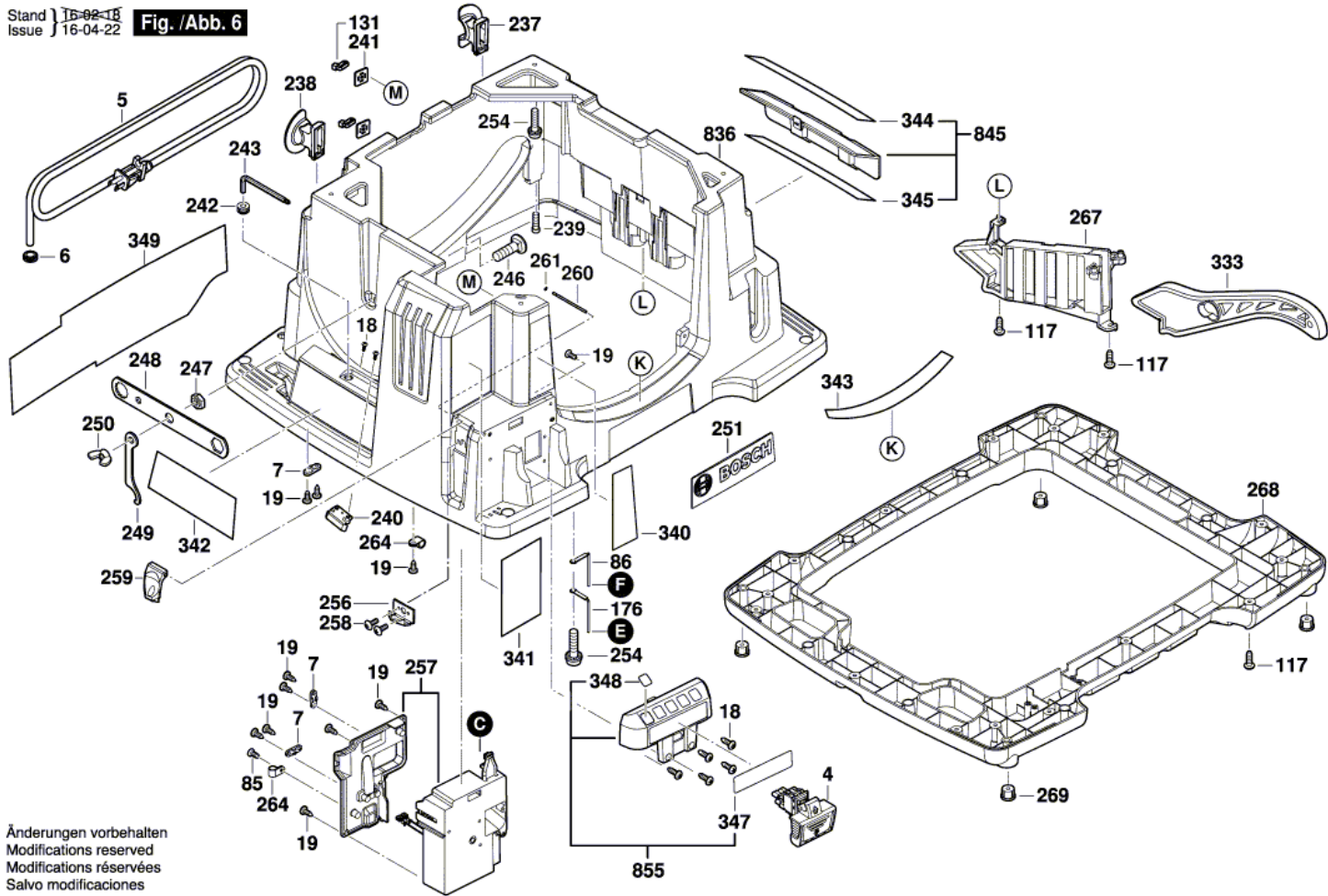


Änderungen vorbehalten
Modifications reserved
Modifications réservées
Salvo modificaciones

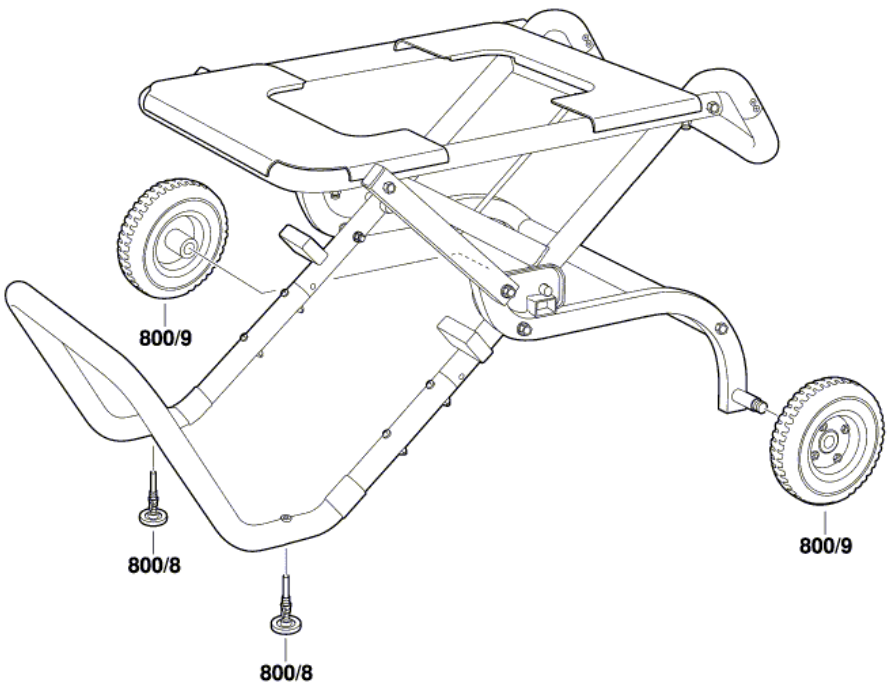
3 601 M13 510

Stand } 16-02-18
 Issue } 16-04-22

Fig. /Abb. 6

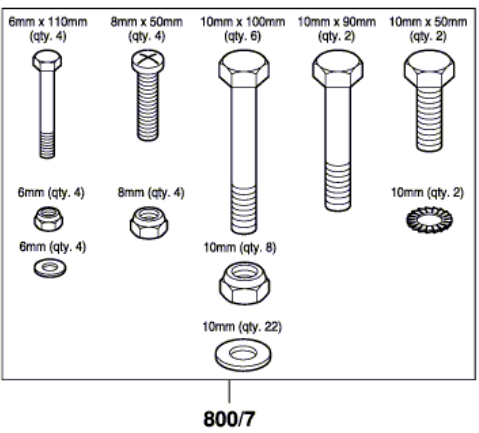


Änderungen vorbehalten
 Modifications reserved
 Modifications réservées
 Salvo modificaciones



3 601 M13 510
 Stand }
 Issue } 17-06-02

Fig. /Abb. 7



Information subject to change without further notice.

Änderungen vorbehalten
 Modifications reserved
 Modifications reserves
 Salvo modificaciones