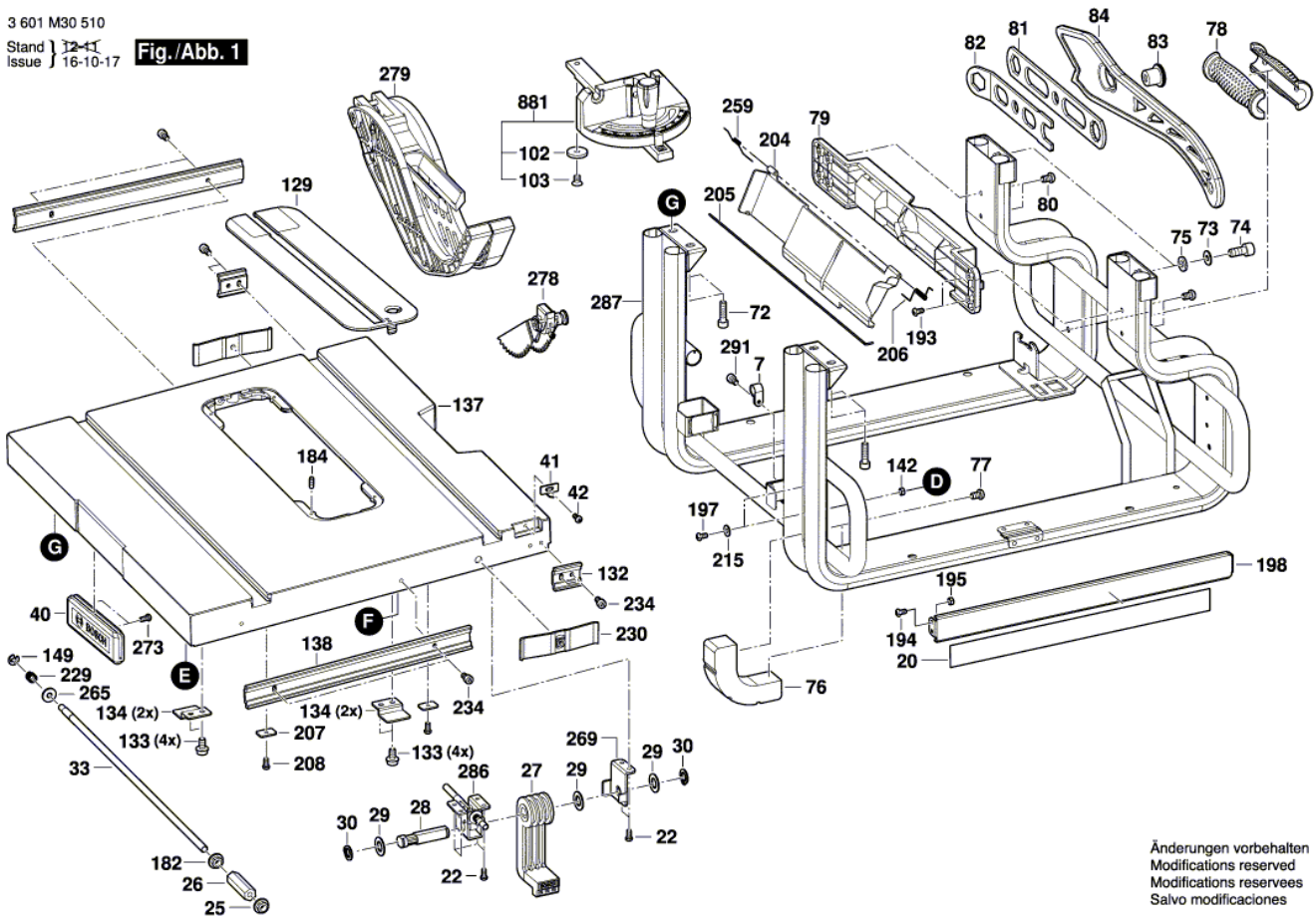




3 601 M30 510
Stand | 12-11
Issue | 16-10-17

Fig./Abb. 1

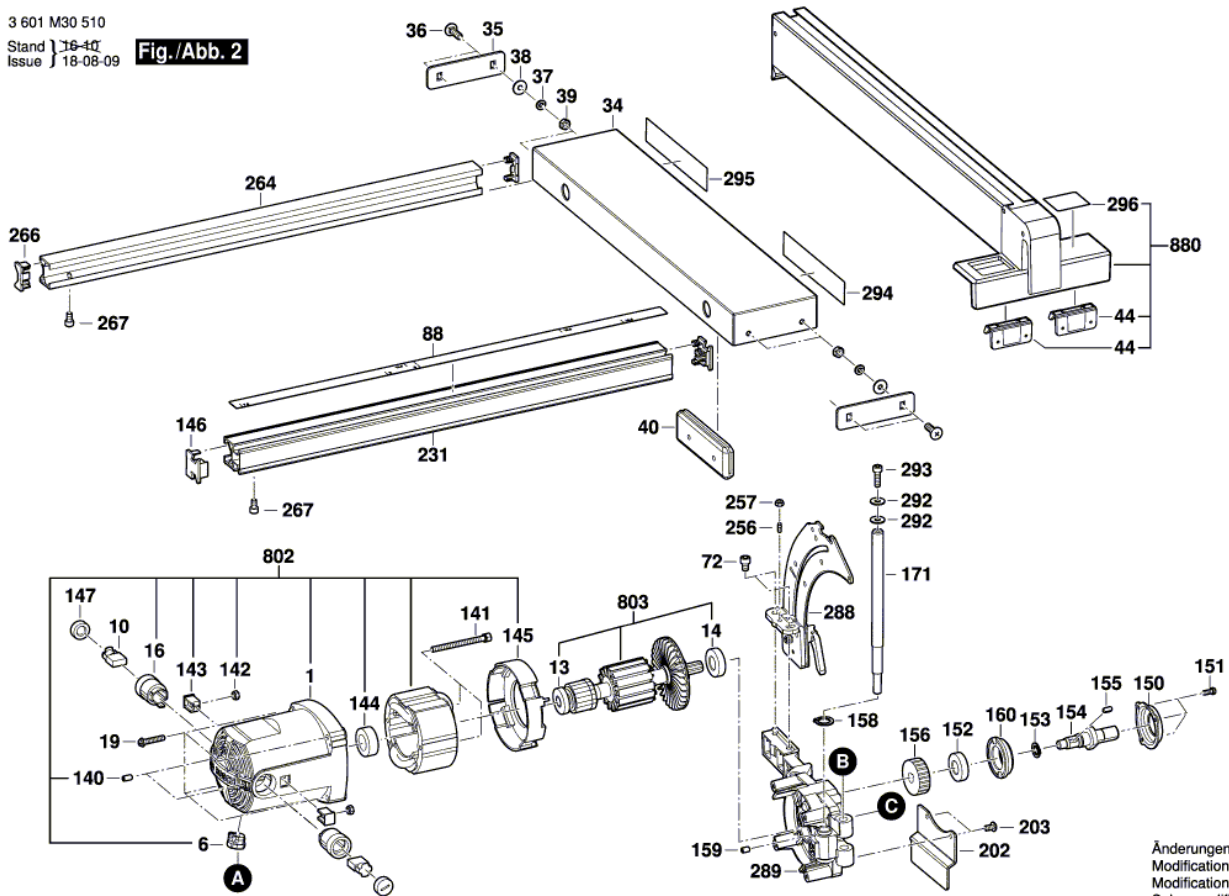


Änderungen vorbehalten
Modifications reserved
Modifications reserves
Salvo modificaciones



3 601 M30 510
Stand | 18-10
Issue | 18-08-09

Fig./Abb. 2

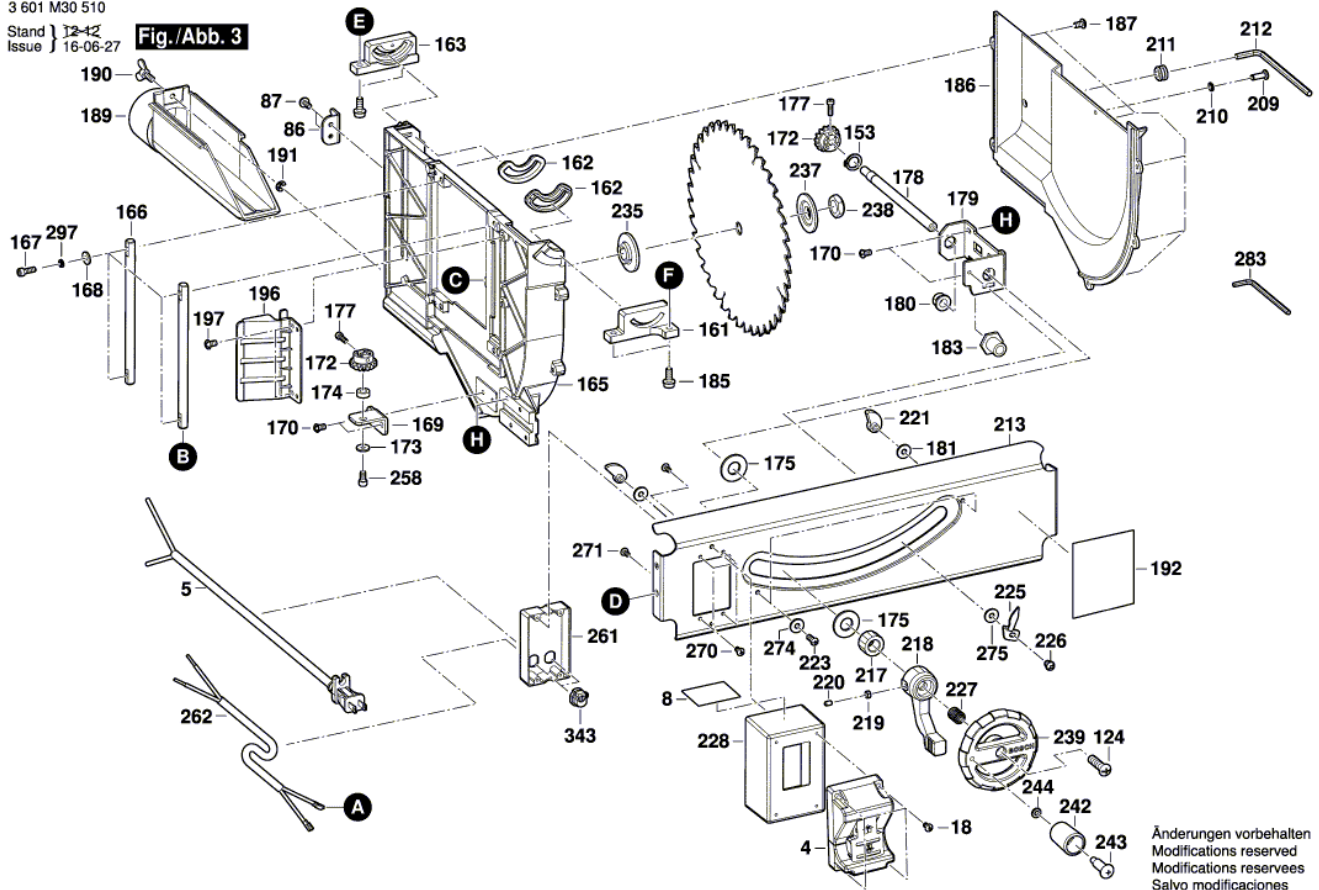


Änderungen vorbehalten
Modifications reserved
Modificaciones reservadas
Salvo modificaciones



3 601 M30 510
Stand | 12-12
Issue | 16-06-27

Fig./Abb. 3



Änderungen vorbehalten
Modifications reserved
Modificaciones reservées
Salvo modificaciones



Pos.	Part Number	Description	Pos.	Part Number	Description
1	2 610 014 691	Motor Housing	142	2 610 911 901	Self-locking nut
4	2 610 015 088	On-Off Switch	143	2 610 911 569	Insert
5	1 619 PA3 129	Power supply cord	144	2 610 013 160	Bearing Housing
6	2 610 998 567	Clamp Bushing	145	2 610 015 029	Baffle
7	2 610 014 693	Cable Clip	146	2 610 015 030	End cap
8	2 610 014 694	Nameplate	147	2 610 955 233	Brush-Cover
10	2 610 024 768	Carbon-Brush Set	149	2 610 015 031	Spring retaining ring
13	2 610 015 747	Ball Bearing	150	2 610 015 032	Spindle Housing
14	2 610 017 349	groove ball bearing	151	2 610 908 271	Tapping Screw
16	2 610 013 003	Brush Holder	152	2 610 997 210	Ball Bearing
18	2 610 014 695	Screw	153	2 610 997 282	Spring retaining ring
19	2 610 358 928	Screw	154	2 610 015 033	Spindle
20	2 610 015 358	Label	155	2 610 012 984	Woodruff Key
22	2 610 014 697	Screw	156	2 610 012 985	Reduction Gear
25	2 610 014 698	Nut	158	2 610 998 573	Spring retaining ring
26	2 610 996 920	Connecting Nut	159	2 610 950 427	Set screw
27	2 610 014 699	Handle	160	2 610 015 034	Bearing Plate
28	2 610 015 000	Cam	161	2 610 950 126	Mounting Bracket
29	2 610 015 001	Washer	162	2 610 950 070	Bushing
30	2 610 015 002	Spring retaining ring	163	2 610 015 035	Support bracket
33	2 610 015 004	Rod	165	2 610 015 036	Holding Plate
34	2 610 015 005	Table top	166	2 610 015 037	Rod
35	2 610 015 006	Retaining Plate	167	2 610 015 038	Bolt
36	2 610 910 015	Collar bolt	168	2 610 015 039	Washer
37	2 610 355 325	Spring Washer	169	2 610 015 040	Support Plate
38	2 610 910 013	Washer	170	2 610 950 055	Screw
39	2 610 015 008	Nut	171	2 610 015 041	Rod
40	2 610 015 009	Handle	172	2 610 015 042	Bevel Gear
41	2 610 015 010	Pointer	173	2 610 013 162	Washer
42	2 610 950 077	Screw	174	2 610 015 043	Bushing
44	2 610 023 173	Pad	175	2 610 015 044	Washer
72	2 610 950 069	Screw	177	2 610 015 045	Screw
73	2 610 015 011	Washer	178	2 610 015 046	Shaft
74	2 610 015 012	Bolt	179	2 610 015 047	Support Plate
75	2 610 925 438	Washer	180	2 610 015 048	Bushing
76	2 610 015 014	Supporting foot	181	2 610 016 557	Washer
77	2 610 015 015	Screw	182	2 610 016 558	Nut
78	2 610 015 016	Handle	183	2 610 015 049	Bushing
79	2 610 015 017	Holding Plate	184	2 610 013 053	Set screw
80	2 610 015 018	Screw	185	2 610 016 559	Screw
81	2 610 015 019	Key	186	2 610 015 050	Cover
82	2 610 015 020	Key	187	2 610 950 049	Screw
83	2 610 015 021	Nut	189	2 610 015 051	Dust-Cover Holder
84	2 610 015 022	Workpiece Pusher	190	2 610 024 770	Screw
86	2 610 015 023	Support bracket	191	2 610 015 053	Spring retaining ring
87	2 610 950 418	Screw	192	2 610 014 696	Label
88	2 610 015 024	Scale	193	2 610 016 560	Stud bolt
102	2 610 950 146	Washer	194	2 610 016 561	Screw
103	2 610 950 147	Screw	195	2 610 925 187	Nut
124	2 610 998 572	Screw	196	2 610 015 055	Guard Plate
129	2 610 015 025	Mounting Insert	197	2 610 950 132	Screw
132	2 610 015 026	Sliding Plate	198	2 610 015 073	Plate
133	2 610 950 108	Screw	202	2 610 015 056	Guard Plate
134	2 610 015 027	Support Plate	203	2 610 950 439	Screw
137	2 610 015 028	Table	204	2 610 015 054	Guard Plate
138	1 600 A00 724	Mounting Rail	205	2 610 016 562	Rod
140	2 610 950 120	Set screw	206	2 610 016 563	Contact strap
141	2 610 911 929	Screw	207	2 610 923 830	Plate



Pos.	Part Number	Description	Pos.	Part Number	Description
208	2 610 010 404	Screw	343	2 610 020 859	Cable Clip
209	2 610 950 117	Screw	802	1 600 A01 C81	Motor assembly
210	2 610 015 058	Washer	803	2 610 015 092	Armature
211	2 610 911 920	Rubber Bushing	880	2 610 015 083	Edge Guide
212	2 610 015 059	Wrench Socket	881	2 610 015 084	Mitre Gauge
213	2 610 015 060	Front Panel			
215	2 610 347 092	Plain Washer			
217	2 610 015 061	Bushing			
218	2 610 015 062	Handle			
219	2 610 908 272	Nut			
220	2 610 015 359	Screw			
221	2 610 015 063	Cam			
223	2 610 016 564	Screw			
225	2 610 015 064	Pointer			
226	2 610 015 065	Screw			
226	2 610 015 065	Screw			
227	2 610 013 054	Contact strap			
228	2 610 015 066	Switch Housing			
229	2 610 015 067	Spring			
230	2 610 996 912	Fixing Plate			
231	2 610 015 091	Sliding Rail			
234	2 610 951 945	Screw			
235	2 610 015 068	Washer			
237	2 610 358 857	Washer			
238	2 610 950 047	Arbor			
239	2 610 015 069	Handwheel			
242	2 610 950 059	Handle			
243	2 610 950 060	Screw			
244	2 610 950 389	Washer			
256	2 610 998 580	Screw			
257	2 610 911 896	Nut			
258	2 610 015 070	Screw			
259	2 610 016 565	Contact strap			
261	2 610 015 071	Switch Housing			
262	2 610 015 072	Connecting Cable			
264	2 610 015 074	Rail			
265	2 610 015 075	Washer			
266	2 610 015 076	Device cap			
267	2 610 950 134	Bolt			
269	2 610 015 077	Plate			
270	2 610 015 078	Screw			
271	2 610 017 002	Screw			
273	2 610 015 080	Screw			
274	2 610 950 135	Washer			
275	2 610 016 566	Washer			
278	2 610 950 093	Safety Device			
279	2 610 950 092	Protective Cover			
283	2 610 016 567	Hexagon Socket Wrench			
286	2 610 015 093	Lock			
287	2 610 015 089	Base			
288	2 610 015 087	Riving Knife			
289	2 610 015 090	Gear Housing			
291	2 610 015 362	Screw			
292	2 610 950 109	Washer			
294	2 610 015 081	Label			
295	2 610 015 082	Label			
296	2 610 016 568	Warning Label			
297	2 610 013 365	Spring Washer			