



BOSCH

Drywall sander

GTR55-85 | 3 601 GD4 010

Table of Content

Spare parts list.....	2
Illustration - Type.....	6

Spare parts list

Item	Part Number	Description	Illustration
27	1 619 PB5 958	Tapping Screw ST4x16	1
43	1 619 PB5 974	Cross Recessed-Head Screw M4x16	1
61	1 619 PB5 986	Corrugated Pipe	1
62	1 619 PB5 987	locking ring	1
63	1 619 PB5 988	Control Housing	1
64	1 619 PB5 989	Valve Insert	1
65	1 619 PB5 990	Housing Cover	1
69	1 619 PB5 994	Corrugated Pipe	1
70	1 619 PB5 995	Cross Recessed-Head Screw	1
71	1 619 PB5 996	Spring	1
72	1 619 PB5 997	Covering hood	1
73	1 619 PB5 998	Pressure Plate	1
74	1 619 PB5 999	Strip brush	1
75	1 619 PB6 000	Strip brush	1
77	1 619 PB6 087	Tapping Screw ST4x14	1
141	1 619 PB6 044	Protective Suit	1
142	1 619 PB6 045	Threaded Bushing	1
143	1 619 PB6 046	Seal Ring	1
144	1 619 PB6 047	Spring	1
145	1 619 PB6 048	Glide Bushing	1
146	1 619 PB6 049	Hose Coupling	1
151	1 619 PB6 052	Backing Pad	1
152	1 619 PB6 053	Intermediate Layer	1
154	1 619 PB6 055	Socket head cap screw M6x14	1
651	1 619 PB6 075	Hexagon Socket Screw Key	1
655	1 607 000 E5X	Rubber Backing Pad	1
656	1 619 PB6 056	Backing Pad	1
691/1	1 619 PB6 089	Latch	1
691/2	1 619 PB6 090	Handle	1
866	1 619 PB6 085	operation button	1
888	1 607 000 E8U	Connector GTR550	1
1	1 619 PB5 941	Motor Housing	2
2	1 619 PB8 528	Field 120-127V	2
3	1 619 PB8 529	Armature 110V	2
7	1 619 PB6 021	Fastening Clamp	2

Drywall sander | GTR55-85 | 3 601 GD4 010

Spare parts list				
Item	Part Number	Description		Illustration
8	1 601 11A 99W	Nameplate	USA 120V	2
9	1 619 PB5 948	Manufacturer's nameplate	GTR 550	2
13	1 619 PB5 950	groove ball bearing	607-2RS	2
19	1 619 PB5 952	Fastening Clamp		2
21	1 619 PB6 082	Tapping Screw	ST4x45	2
22	1 619 PB5 953	Bearing Flange		2
23	1 619 PB5 954	Magnet		2
24	1 619 PB5 955	Mounting Sleeve		2
25	1 619 PB5 956	Air-Deflector Ring		2
26	1 619 PB5 957	Grommet		2
28	1 619 PB5 959	Housing Cover		2
29	1 619 PB8 535	Electronic Assembly	120-127V	2
31	1 619 PB5 962	Workpiece support		2
32	1 619 PB5 963	Housing Cover		2
33	1 619 PB5 964	Housing Cover		2
34	1 619 PB5 965	Needle bearing	HK1012	2
35	1 619 PB5 966	Gear Housing		2
36	1 619 PB5 967	groove ball bearing	606-2Z	2
37	1 619 PB5 968	Retaining ring		2
38	1 619 PB5 969	Crown Gear		2
39	1 619 PB5 970	Transmission Shaft		2
40	1 619 PB5 971	Retaining ring		2
41	1 619 PB5 972	groove ball bearing	699	2
42	1 619 PB5 973	Bearing Flange		2
44	1 619 PB5 975	Woodruff Key		2
45	1 619 PB5 976	Retaining ring	Ø10	2
46	1 619 PB5 977	Cylindrical Gear		2
47	1 619 PB5 978	Sealing Disc		2
48	1 619 PB5 979	Bearing Flange		2
49	1 619 PB5 980	Sealing Plate		2
50	1 619 PB5 981	Output Shaft		2
51	1 619 PB5 982	groove ball bearing	NSK 6900-2RS	2
52	1 619 PB5 983	Retaining ring		2
53	1 619 PB5 984	Dust seal		2
54	1 619 PB5 985	Flat Key		2

Drywall sander | GTR55-85 | 3 601 GD4 010

Spare parts list

Item	Part Number	Description	Illustration
55	1 619 PB6 017	Countersunk-Head Screw	2
56	1 619 PB6 018	Cross Recessed-Head Screw M4x25	2
57	1 607 000 EW8	Inductor	2
58	1 607 000 E8V	Spring	2
81	1 619 PB6 001	Support Frame	2
82	1 607 031 2EM	Connection Cable 2x18AWG	2
83	1 619 PB6 003	Aluminum Tubing	2
84	1 619 PB6 004	plastic covering	2
88	1 619 PB6 008	plug-in connector	2
89	1 619 PB6 009	Cam	2
90	1 619 PB6 010	hand lever	2
91	1 619 PB6 011	Cross Recessed-Head Screw	2
92	1 619 PB6 012	Mounting Bracket	2
94	1 619 PB6 083	Screw	2
95	1 619 PB6 014	Hook	2
96	1 619 PB6 015	Connecting piece	2
97	1 619 PB6 016	Countersunk-Head Screw	2
131	1 619 PB6 040	Rubber Buffer	2
132	1 619 PB6 041	bushing	2
133	1 619 PB6 042	knob sleeve	2
134	1 619 PB6 043	Straight Pin	2
135	1 619 PB6 086	Spring	2
147	1 619 PB6 050	Corrugated Pipe	2
148	1 619 PB6 051	Hose Coupling	2
810	1 607 000 E7H	Carbon-Brush Set Fuji GPA 418S2P	2
817	1 619 PB6 081	Pressure Plate	2
4	1 619 PB5 944	Switch	3
5	1 604 460 7AD	Power supply cord SJ, 3x18AWG,4m,USA	3
6	1 619 PB5 946	Grommet	3
101	1 619 PB6 019	Switch Button	3
102	1 619 PB6 020	Adjusting Slide	3
104	1 619 PB6 022	Cantilever	3
105	1 619 PB6 023	Handle	3
106	1 607 031 2EN	Connection Cable 2x18AWG	3
107	1 619 PB8 536	Speed governor 100-127V	3

Spare parts list

Item	Part Number	Description	Illustration
109	1 619 PB6 027	Flow Governor	3
110	1 619 PB6 028	Intermediate housing	3
111	1 619 PB6 029	Socket housing	3
112	1 619 PB6 030	plastic covering	3
113	1 619 PB6 031	Aluminum Tubing	3
114	1 619 PB6 032	Hose Coupling	3
116	1 619 PB6 034	Mounting Bracket	3
117	1 619 PB6 035	Cam Shaft	3
118	1 619 PB6 036	Cam	3
120	1 619 PB6 037	plastic covering	3
121	1 619 PB6 038	Shim ring	3
122	1 619 PB6 039	Felt Pad	3
123	1 619 PB6 006	Aluminum Tubing	3
124	1 607 031 2EP	Connection Cable 2x18AWG	3
125	1 607 031 2ER	Connection Cable 20AWG	3
156	1 607 000 E57	Handle Bar	3
161	1 601 11A 99X	Warning Label USA 120V	3
162	1 601 11C 4T1	Manufacturer's nameplate GTR 55-85	3
163	1 619 PB8 640	Magnet	3
657	1 619 PB6 088	Clip	3
658	1 607 000 F2K	Vacuum Adapter	3

Illustration - Type - E

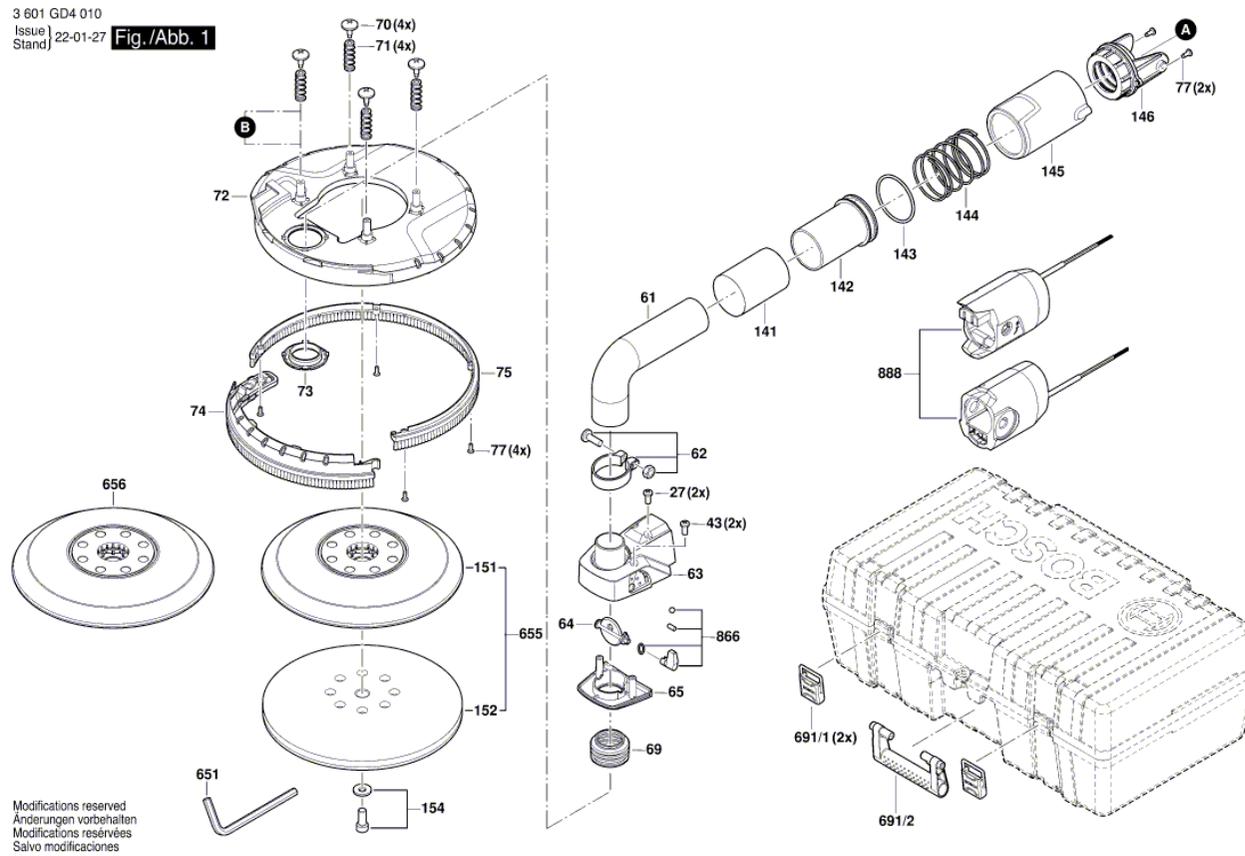


Illustration - Type - E

3 601 GD4 010
 Issue | 23-02-09
 Stand | **Fig./Abb. 2**

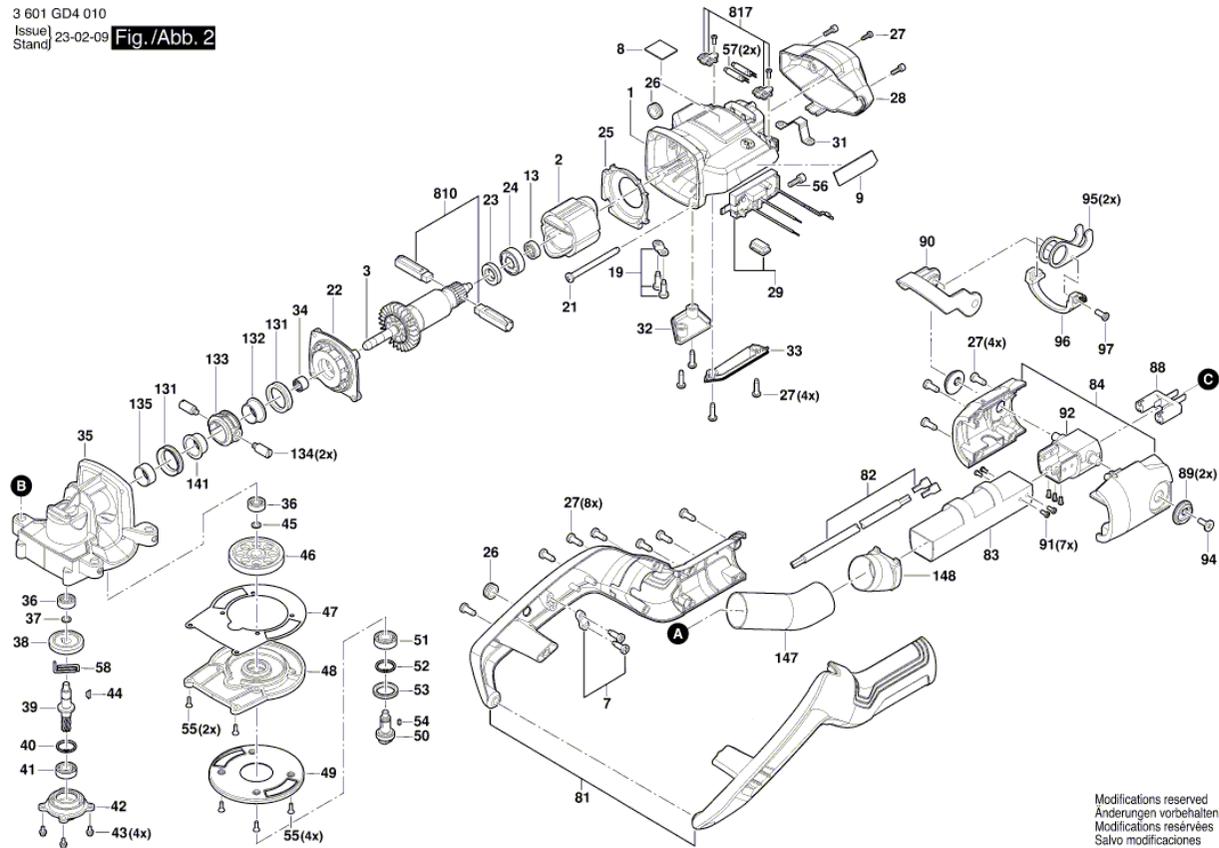


Illustration - Type - E

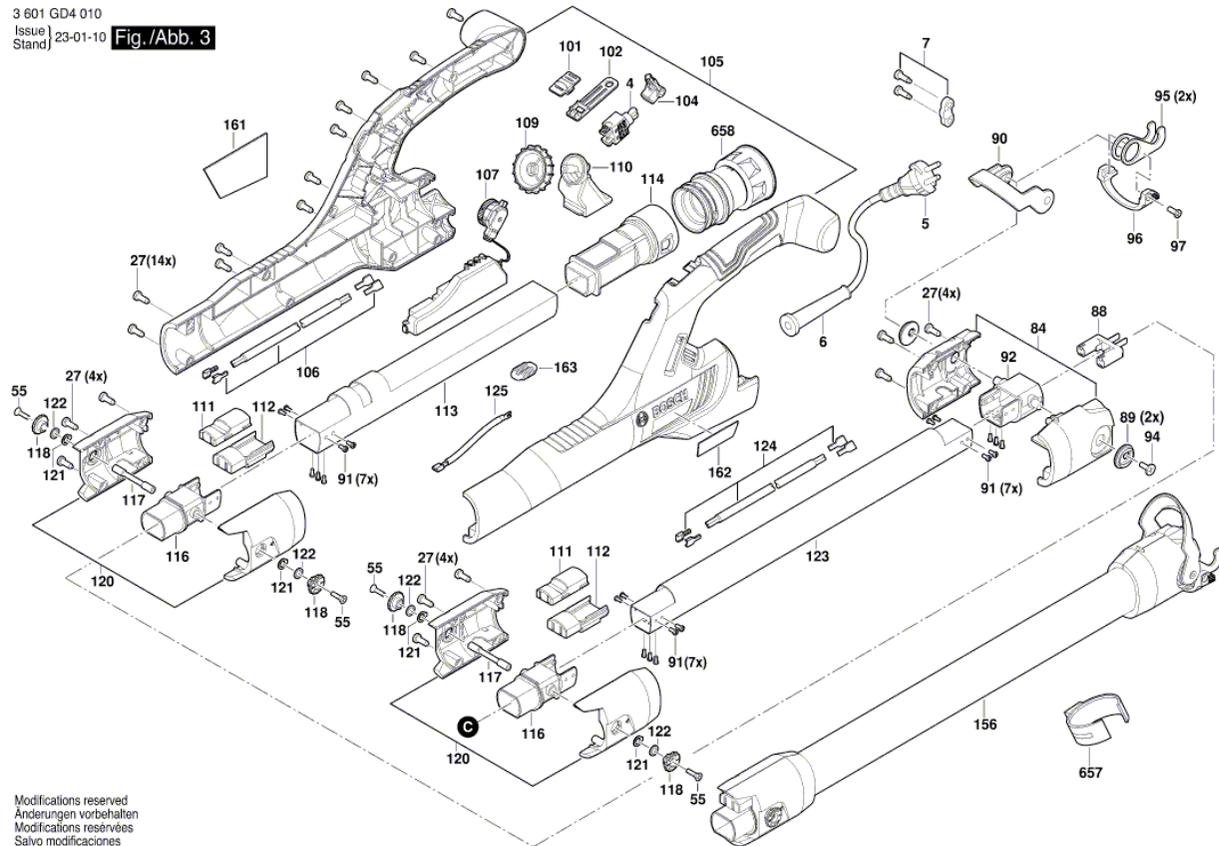
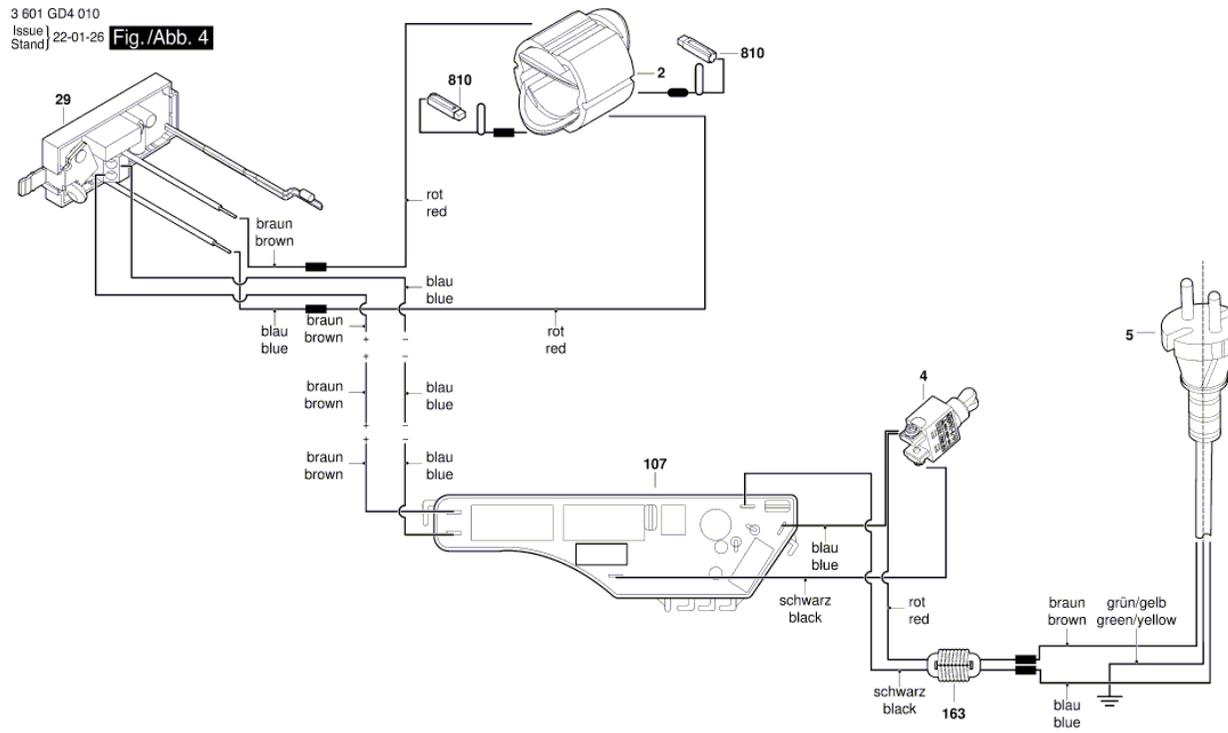


Illustration - Type - E



Modifications reserved
 Änderungen vorbehalten
 Modifications réservées
 Salvo modificaciones