

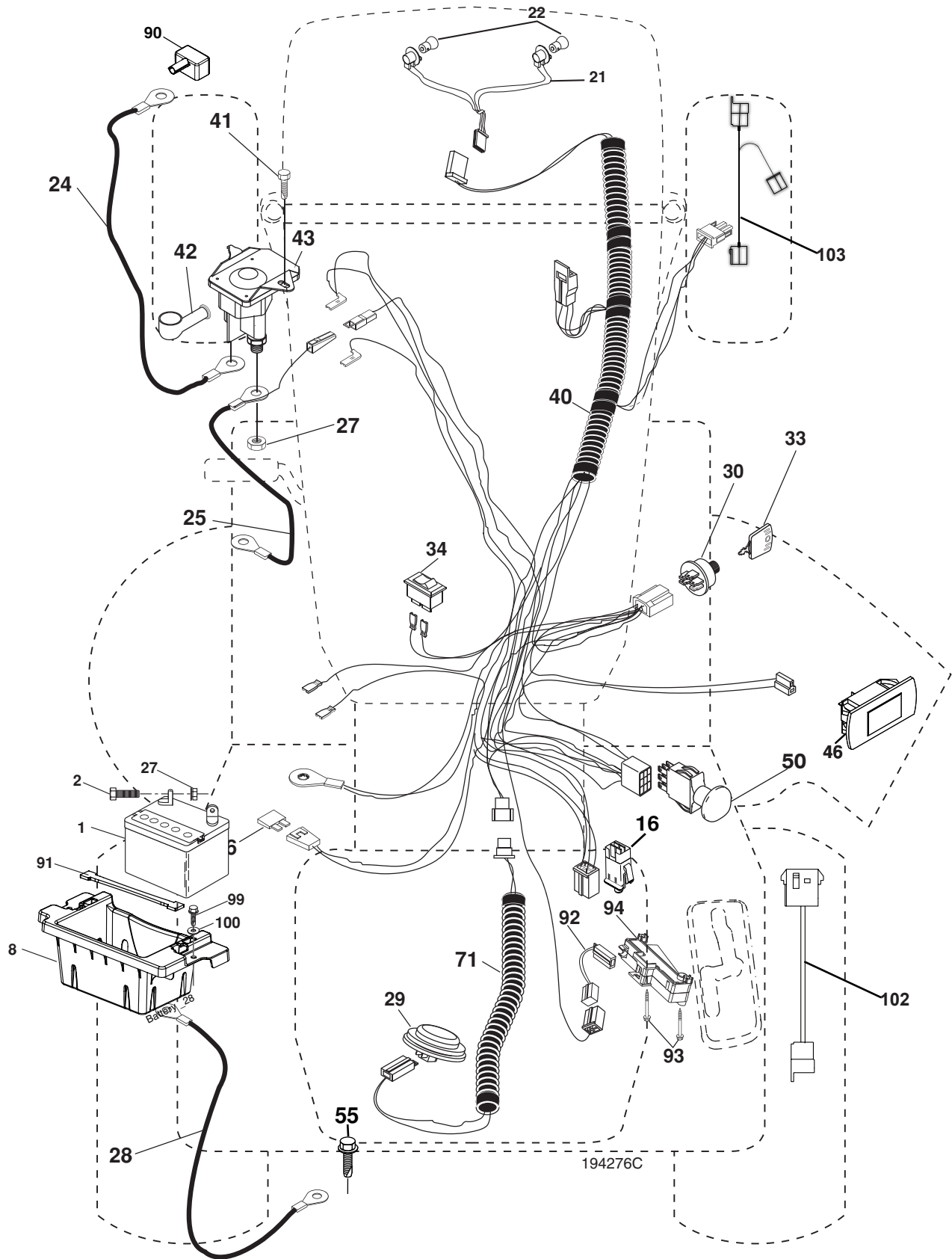
Ride Mower

GTH2648

96043003000



**TRACTOR - MODEL NO. GTH2648 (96043003000), PRODUCT NO. 960 43 00-30
ELECTRICAL**

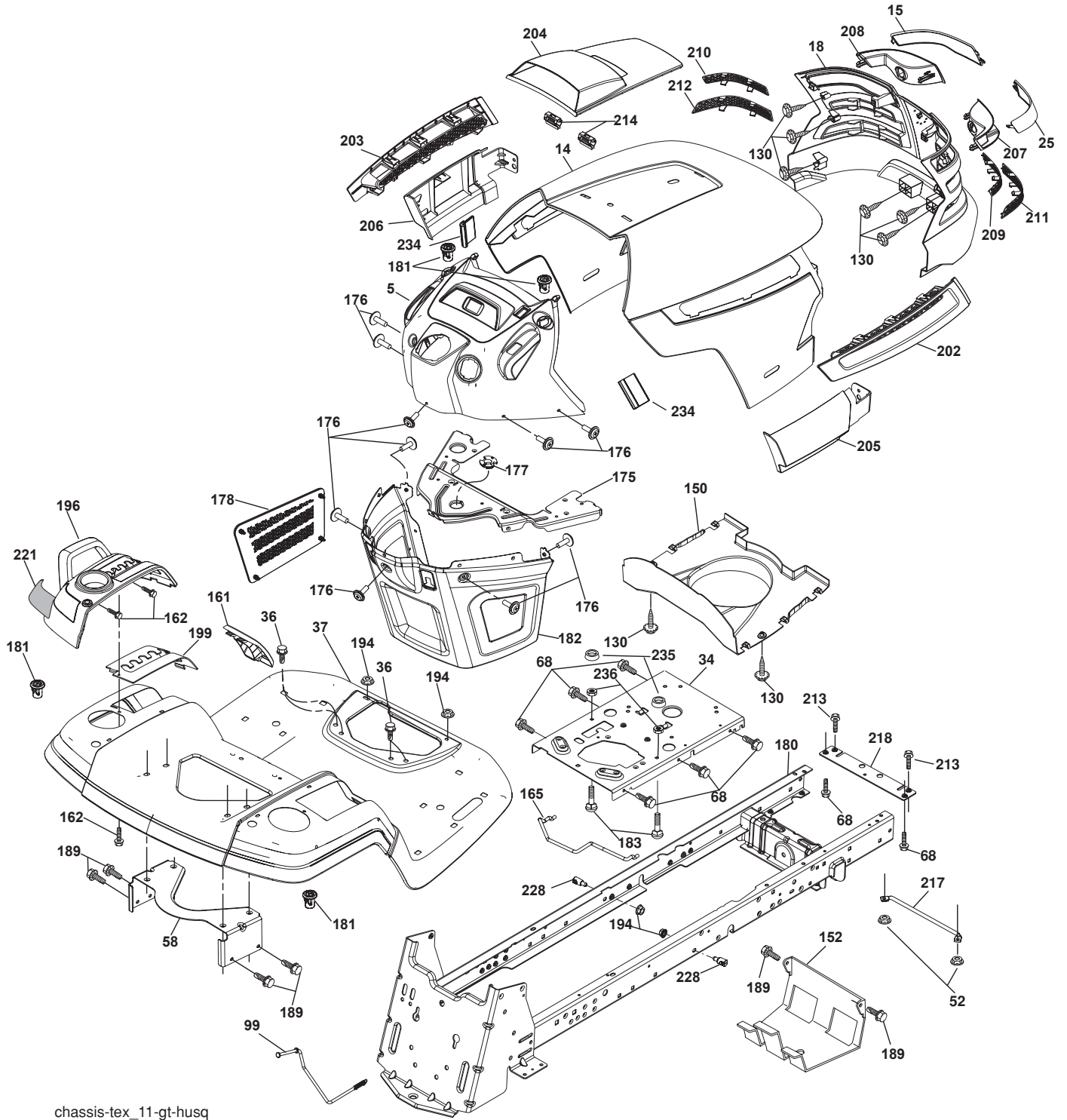


**TRACTOR - MODEL NO. GTH2648 (96043003000), PRODUCT NO. 960 43 00-30
ELECTRICAL**

| KEY NO. | PART NO. | DESCRIPTION |
|--------------------|---------------------|----------------------------------|
| 1 | 532 14 49-27 | Battery |
| 2 | 874 76 04-12 | Bolt Hex Hd 1/4-20 unc x 3/4 |
| 8 | 532 18 64-91 | Battery Box |
| 16 | 532 17 61-38 | Switch Interlock |
| 21 | 532 18 37-59 | Harness Socket Light |
| 22 | 532 00 41-52 | Bulb, Light # 1156 |
| 24 | 532 40 02-53 | Cable Battery |
| 25 | 532 19 88-93 | Cable Starter |
| 26 | 532 17 51-58 | Fuse |
| 27 | 873 51 04-00 | Nut Keps Hex 1/4-20 unc |
| 28 | 532 14 54-91 | Cable Ground 21" Blk 6 Ga. |
| 29 | 532 40 15-45 | Switch Seat |
| 30 | 532 19 33-50 | Switch Ign |
| 33 | 532 14 04-01 | Key Ign Molded Generic |
| 34 | 532 11 07-12 | Switch Light/Reset |
| 40 | 532 40 11-04 | Harness Ign. Dash |
| 41 | 817 72 04-08 | Screw Thd Cut 1/4-20 x 1/2 |
| 42 | 532 13 15-63 | Cover Terminal Red |
| 43 | 532 19 25-07 | Solenoid |
| 46 | 532 40 17-63 | Gauge Hourmeter |
| 50 | 532 17 46-51 | Switch PTO |
| 55 | 817 49 05-12 | Screw Thdrol 5/16-18 x 3/4 |
| 59 | 532 40 03-03 | Outlet 12-Volt |
| 71 | 532 19 42-76 | Harness Chassis |
| 90 | 532 40 07-24 | Cover Terminal Battery |
| 91 | 532 19 02-70 | Strap Battery |
| 92 | 532 19 66-15 | Harness Pigtail Console ROS |
| 93 | 532 19 25-40 | Screw Plastite 10-14 x 2.0 |
| 94 | 532 19 18-34 | Module Reverse ROS |
| 99 | 817 67 04-12 | Screw Hexwsh Thdrol 1/4-20 x 3/4 |
| 100 | 819 09 14-16 | Washer 9/32 x 7/8 x 16 Ga. |
| 102 | 532 19 83-17 | Pigtail MATNLK Harness |
| 103 | 532 40 79-62 | Harness Pigtail 12v Outlet |

NOTE: All component dimensions given in U.S. inches
1 inch = 25.4 mm

TRACTOR - MODEL NO. GTH2648 (96043003000), PRODUCT NO. 960 43 00-30 CHASSIS



chassis-tex_11-gt-husq

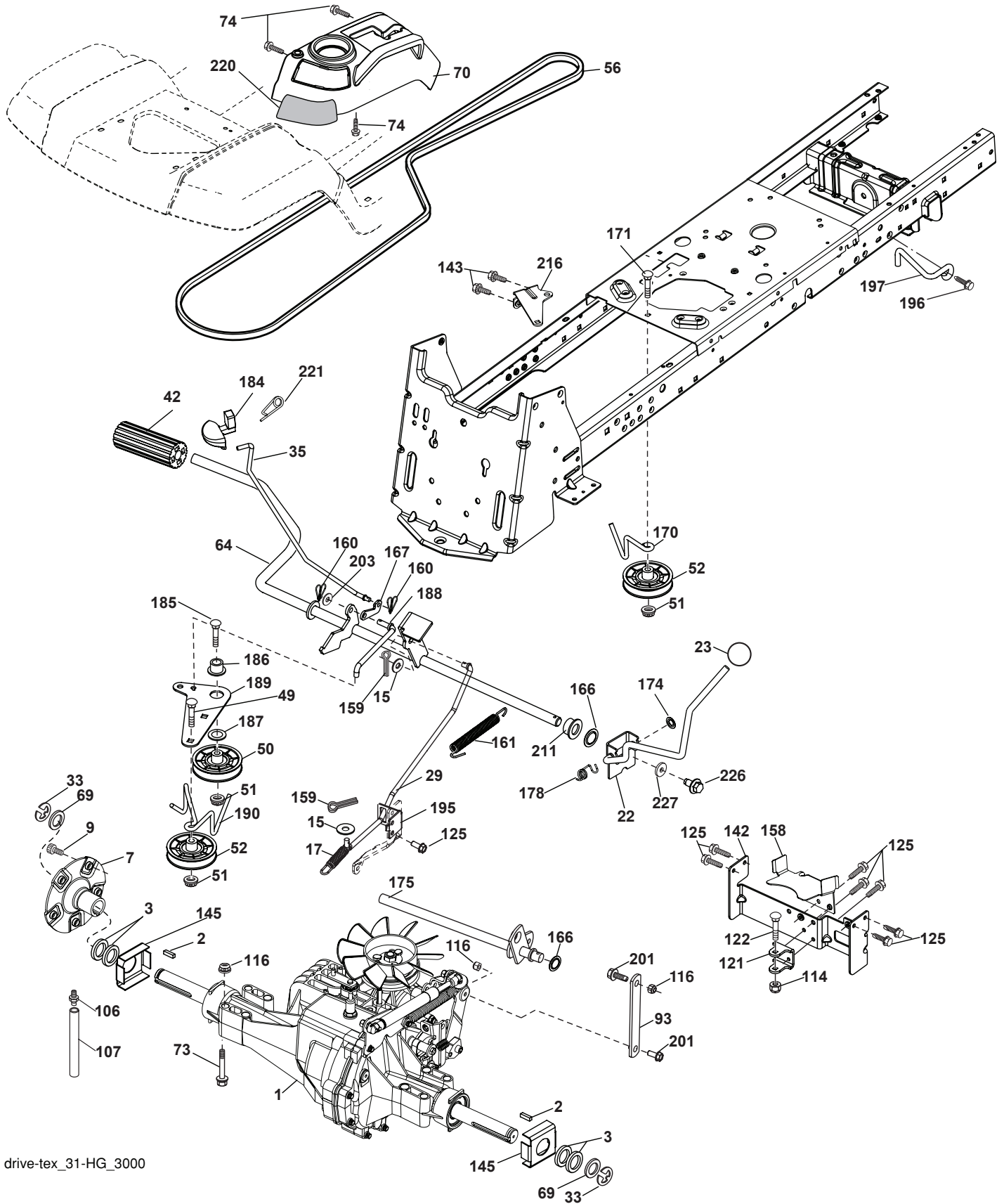
**TRACTOR - MODEL NO. GTH2648 (96043003000), PRODUCT NO. 960 43 00-30
CHASSIS**

| KEY NO. | PART NO. | DESCRIPTION |
|---------|--------------|----------------------------------|
| 5 | 532 40 87-01 | Dash |
| 14 | 532 41 10-46 | Hood |
| 15 | 532 19 89-07 | Lens LH |
| 18 | 532 40 48-21 | Grille |
| 25 | 532 19 89-06 | Lens RH |
| 34 | 532 19 61-25 | Plate Engine |
| 36 | 817 06 05-12 | Screw 5/16-18 x 3/4 |
| 37 | 532 40 18-25 | Fender |
| 52 | 873 68 05-00 | Nut Crown Lock 5/16-18 |
| 58 | 532 19 43-14 | Bracket Fender |
| 68 | 817 49 05-08 | Screw 5/16-18 x 1/2 |
| 99 | 532 19 72-73 | Rod Bypass Asm. |
| 130 | 532 19 16-11 | Screw 10 x 3/4 Single Lead Hex |
| 150 | 532 19 85-12 | Duct Heat Hood |
| 152 | 532 19 95-35 | Shield Browning/Debris |
| 161 | 532 40 18-26 | Console Fuel Window |
| 162 | 532 14 24-32 | Screw Hex Wsh Hi-Lo 1/4 x 1/2 |
| 165 | 532 19 68-26 | Bracket Support Tank |
| 175 | 532 19 63-04 | Crossmember |
| 176 | 532 40 07-76 | Screw 10-24 x 5/8 Wshd Qdrx |
| 177 | 532 19 52-27 | Bushing Steering |
| 178 | 532 19 97-82 | Cargo Asm. Net |
| 180 | 532 19 54-77 | Chassis |
| 181 | 532 40 30-25 | Bushing Mtg. Fender Crgo. |
| 182 | 532 19 47-87 | Dash Lower |
| 183 | 874 78 05-20 | Bolt Fin Hex 5/16-18 UNC x 1-1/4 |
| 189 | 817 00 05-12 | Screw 5/16-18 x 3/4 |
| 194 | 873 90 05-00 | Nut Lock Hex Flange 5/16-18 |
| 196 | 532 40 02-99 | Console Asm. Deck Lift |

| KEY NO. | PART NO. | DESCRIPTION |
|---------|--------------|-------------------------------|
| 199 | 532 19 82-59 | Plate Deck Lift |
| 202 | 532 40 30-48 | Vent Side Hood RH |
| 203 | 532 40 30-76 | Vent Side Hood LH |
| 204 | 532 19 89-04 | Vent Asm Hood Top |
| 205 | 532 40 17-09 | Skirt Hood Side RH |
| 206 | 532 40 17-11 | Skirt Hood Side LH |
| 207 | 532 19 71-98 | Bezel RH |
| 208 | 532 19 71-99 | Bezel LH |
| 209 | 532 19 91-30 | Insert Hex Top RH |
| 210 | 532 19 91-31 | Insert Hex Top LH |
| 211 | 532 19 91-32 | Insert Hex Bottom RH |
| 212 | 532 19 91-33 | Insert Hex Bottom LH |
| 213 | 874 76 05-12 | Bolt Hex Hd 5/16-18 unc x 3/4 |
| 214 | 532 19 91-45 | Clip Retainer |
| 217 | 532 15 65-24 | Rod Pivot |
| 218 | 532 19 63-95 | Hood Stop |
| 221 | 532 19 89-09 | Reflector LH |
| 228 | 532 19 51-61 | Stud Fastener |
| 234 | 532 40 47-42 | Bumper Hood |
| 235 | 532 40 61-29 | Spacer Fender |
| 236 | 873 93 05-00 | Nut Center Lock 5/16-18 UNC |

NOTE: All component dimensions given in U.S. inches
1 inch = 25.4 mm

**TRACTOR - MODEL NO. GTH2648 (96043003000), PRODUCT NO. 960 43 00-30
DRIVE**



drive-tex_31-HG_3000

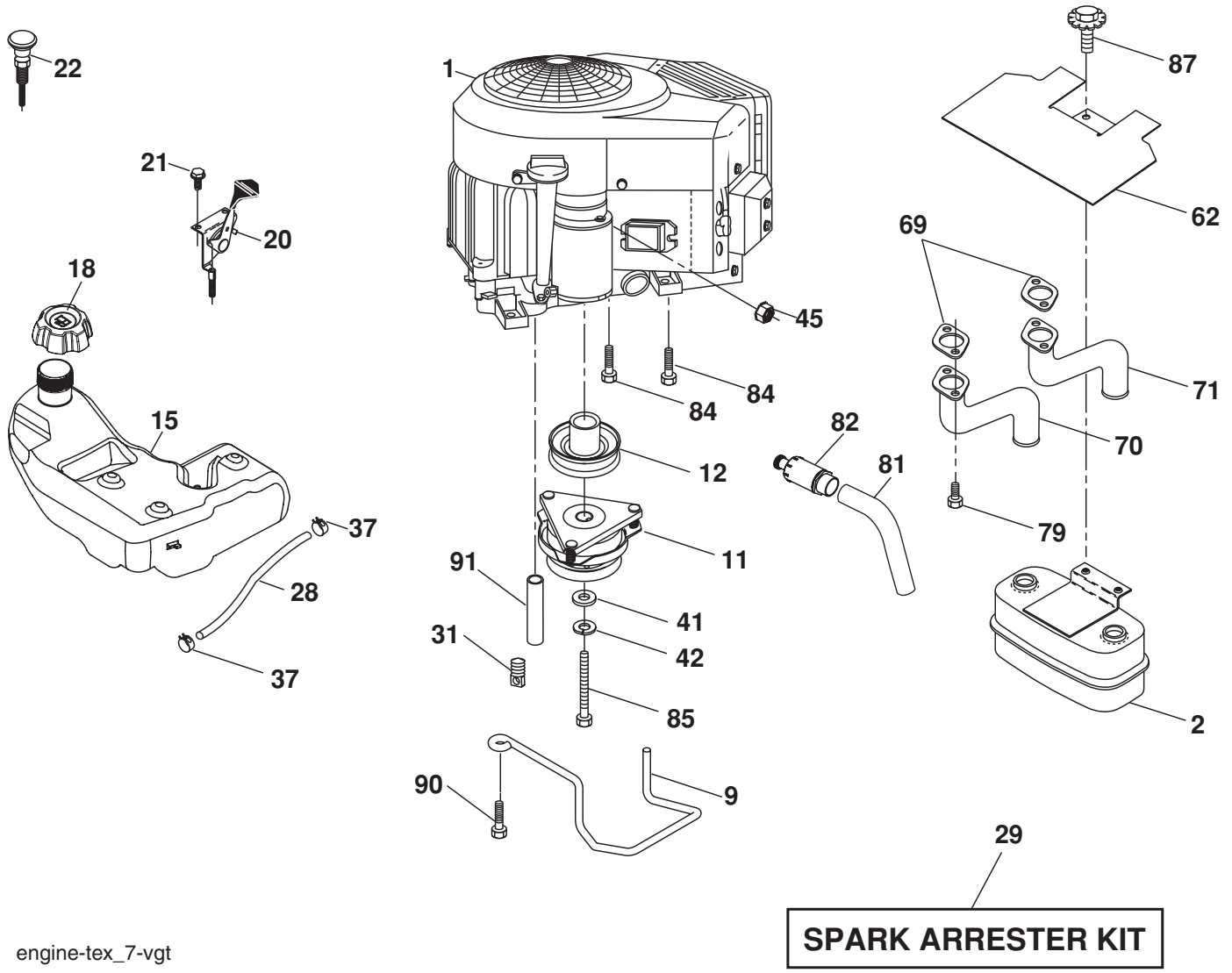
**TRACTOR - MODEL NO. GTH2648 (96043003000), PRODUCT NO. 960 43 00-30
DRIVE**

| KEY NO. | PART NO. | DESCRIPTION |
|---------|--------------|--|
| 1 | ----- | Transaxle, Hydro 344-3000 (Order Parts from Transaxle Manufacturer) |
| 2 | 532 00 70-70 | Key 1/4 x 2.5 |
| 3 | 532 00 75-63 | Washer |
| 7 | 532 19 98-37 | Hub Asm. Wheel |
| 9 | 532 14 00-80 | Bolt Hub Wheel |
| 15 | 819 13 13-16 | Washer 13/32 x 13/16 x 16 Ga. |
| 17 | 532 19 72-96 | Spring, Brake |
| 22 | 532 40 05-04 | Shifter Rod |
| 23 | 532 14 08-45 | Knob |
| 29 | 532 19 72-69 | Rod, Brake |
| 33 | 812 00 00-53 | Ring E |
| 35 | 532 19 95-91 | Rod, Brake, Park |
| 42 | 532 12 48-72 | Cover, Foot Pedal |
| 49 | 872 11 06-14 | Bolt |
| 50 | 532 19 43-27 | Pulley Idler Flat |
| 51 | 873 90 06-00 | Lock Nut 3/8-16 |
| 52 | 532 19 43-26 | Idler V-Groove 910" Offset |
| 56 | 532 16 58-13 | V-Belt, Drive |
| 64 | 532 19 62-00 | Shaft Asm. Pedal Brake Control |
| 69 | 532 12 38-00 | Washer 11/32 x 1-5/8 x 16 Ga. |
| 70 | 532 40 02-98 | Control Asm. |
| 73 | 874 49 05-48 | Bolt Hex Flghd 5/16-18 x 3.00 |
| 74 | 532 14 24-32 | Screw 1/4 x 1/2 |
| 93 | 532 19 62-13 | Link Shift |
| 106 | 532 14 29-17 | Cap Asm. Vent |
| 107 | 532 41 04-81 | Tube Vent |
| 114 | 873 80 05-00 | Nut Lock Hex w/Insert 5/16-18 unc |
| 116 | 873 90 05-00 | Nut Lock Hex Flange 5/16-18 |
| 121 | 532 17 56-11 | Bracket Strap Torque |
| 122 | 872 01 05-20 | Bolt 5/16 - 18 x 2.50 |
| 125 | 817 00 05-12 | Screw 5/16-18 x 3/4 |
| 142 | 532 40 44-83 | Strap Torque |

| KEY NO. | PART NO. | DESCRIPTION |
|---------|--------------|--------------------------------|
| 143 | 817 49 05-08 | Screw Thdrol 5/16-18 x 1/2 |
| 145 | 532 16 31-68 | Washer Axle flange |
| 158 | 532 19 43-51 | Keeper Belt |
| 159 | 876 02 04-12 | Pin Cotter 1/8 x 3/4 |
| 160 | 532 16 94-84 | Retainer Clip |
| 161 | 532 19 54-03 | Spring, Return, Clutch |
| 166 | 532 19 72-90 | Nut Push .625 |
| 167 | 532 40 52-57 | Latch Brake Parking |
| 170 | 532 19 43-22 | Keeper Belt Centerspan |
| 171 | 872 11 06-16 | Bolt |
| 174 | 532 19 72-89 | Nut Push |
| 175 | 532 19 62-04 | Shaft Asm Shift |
| 178 | 532 19 74-56 | Spring Shift |
| 184 | 532 40 31-18 | Handle Parking Brake |
| 185 | 872 11 06-20 | Bolt Rdhd Sqkn 3/8-16 x 2-1/2 |
| 186 | 532 19 43-21 | Spacer Retainer |
| 187 | 819 13 32-10 | Washer |
| 188 | 532 19 43-23 | Link Clutch Ground Drive |
| 189 | 532 19 43-17 | Bellcrank Ground Drive |
| 190 | 532 19 43-18 | Keeper Bellcrank Ground Dr. |
| 195 | 532 40 51-13 | Bracket Rod Brake |
| 196 | 817 00 06-16 | Screw 3/8-16 x 1 |
| 197 | 532 19 97-69 | Bracket Clutch Anti-Rotation |
| 201 | 532 16 96-12 | Bolt Shoulder 5/16-18 unc |
| 203 | 819 11 11-16 | Washer 11/32 x 11/16 x 16 Ga. |
| 211 | 532 19 62-12 | Bushing |
| 216 | 532 19 61-31 | Bracket Pulley Idler |
| 220 | 532 19 89-08 | Reflector RH |
| 221 | 532 40 31-87 | Retainer Spring Clip Handle |
| 226 | 874 78 07-16 | Bolt Fin Hex 7/16 - 14 x 1 GR5 |
| 227 | 532 40 52-96 | Washer Serrated |
| - - | 532 40 35-71 | Phone Holder |

NOTE: All component dimensions given in U.S. inches
1 inch = 25.4 mm

**TRACTOR - MODEL NO. GTH2648 (96043003000), PRODUCT NO. 960 43 00-30
ENGINE**



engine-tex_7-vgt

TRACTOR - MODEL NO. GTH2648 (96043003000), PRODUCT NO. 960 43 00-30 ENGINE

| KEY NO. | PART NO. | DESCRIPTION |
|---------|--------------|-----------------------------------|
| 1 | ----- | Engine Briggs Model No. 445877 |
| 2 | 532 14 97-23 | Muffler |
| 9 | 532 19 43-20 | Keeper Belt Engine |
| 11 | 532 17 93-35 | Clutch Electric |
| 12 | 532 19 43-43 | Pulley Engine |
| 15 | 532 19 34-99 | Tank Fuel 4.0 |
| 18 | 532 19 42-67 | Cap Asm |
| 20 | 532 17 83-85 | Control Throttle |
| 21 | 532 19 16-11 | Screw 10 x 3/4 Single Lead Hex |
| 22 | 532 19 15-96 | Control Choke |
| 28 | 532 40 11-35 | Fuel Line |
| 29 | 532 13 71-80 | Spark Arrester Kit |
| 31 | 532 14 50-06 | Clip Push-In |
| 37 | 532 12 34-87 | Clamp Hose |
| 41 | 532 12 61-97 | Washer 1-1/2 OD x 15/32 ID x .250 |
| 42 | 810 04 07-00 | Washer Lock 7/16 |
| 45 | 873 51 04-00 | Nut Keps Hex 1/4-20 unc |
| 62 | 532 14 66-29 | Shield Heat Muffler |
| 69 | 532 16 53-91 | Gasket |
| 70 | 532 15 99-55 | Tube Exhaust LH |

| KEY NO. | PART NO. | DESCRIPTION |
|---------|--------------|-------------------------------|
| 71 | 532 16 05-89 | Tube Exhaust RH |
| 79 | 532 18 39-06 | Screw Socket Head 5/16-18 x 1 |
| 81 | 532 14 84-56 | Tube Drain Oil Easy |
| 82 | 532 18 16-54 | Plug Drain Oil |
| 84 | 817 06 06-20 | Screw 3/8-16 x 1-1/4 |
| 85 | 532 17 99-53 | Bolt Hex 7/16-20 x 3.75 Gr. 5 |
| 87 | 532 19 82-39 | Bolt 5/16-18 unc x 1 w/Sems |
| 90 | 817 00 06-16 | Screw 3/8-16 x 1 |
| 91 | 532 18 74-95 | Bushing |

NOTE: All component dimensions given in U.S. inches
1 inch = 25.4 mm

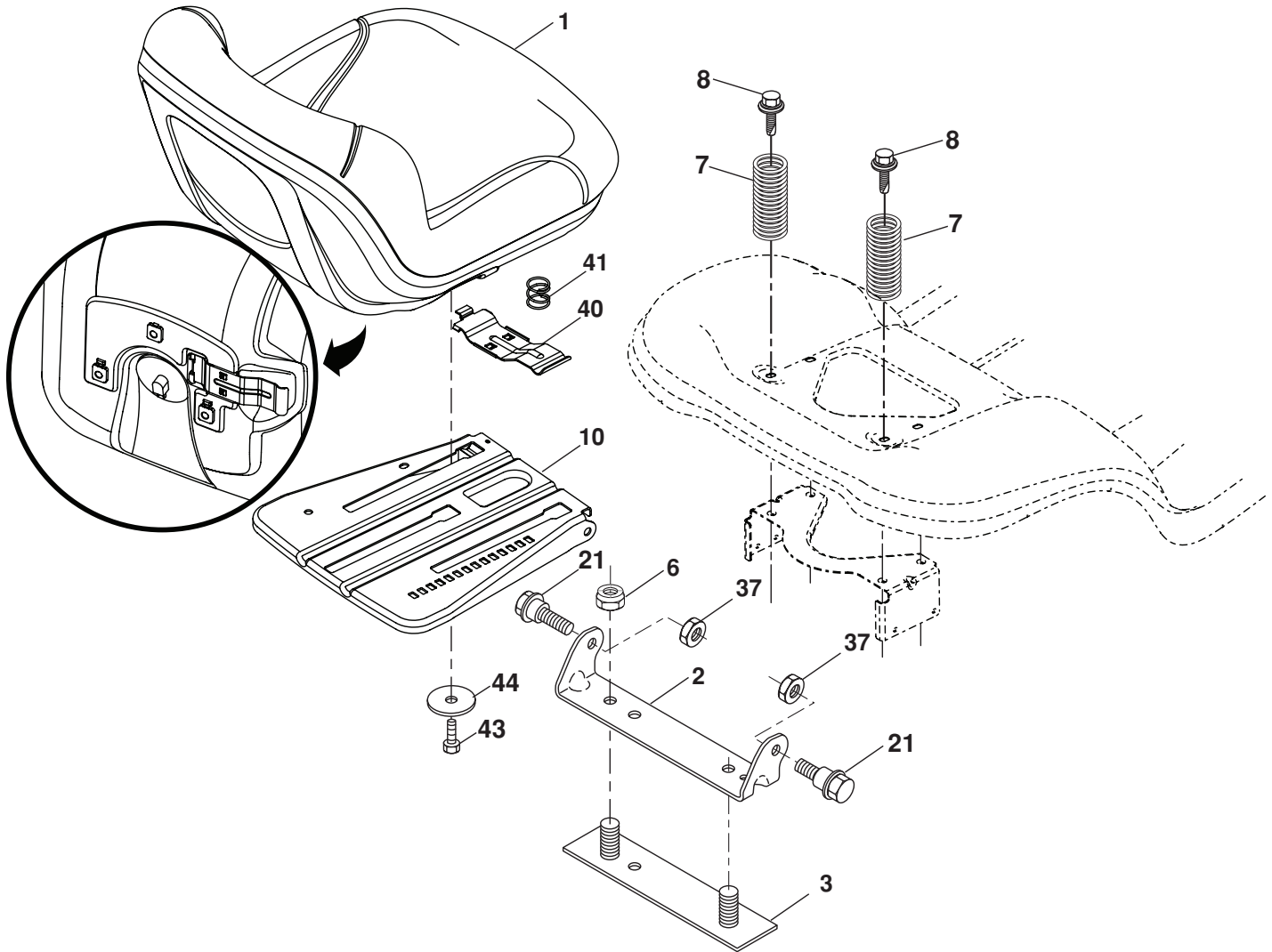
For engine service and replacement parts, call the toll free number for your engine manufacturer listed below:

| | |
|-------------------|----------------|
| Briggs & Stratton | 1-800-233-3723 |
| Kohler Co. | 1-800-544-2444 |
| Tecumseh Products | 1-800-558-5402 |
| Honda Engines | 1-800-426-7701 |
| Kawasaki | 1-949-460-5688 |

Engine Power Rating Information

The gross power rating for individual gas engine models is labeled in accordance with SAE (Society of Automotive Engineers) code J11940 (Small Engine Power & Torque Rating Procedure), and rating performance has been obtained and corrected in accordance with SAE J1995 (Revision 2002-5). Actual gross engine power will be lower and is affected by, among other things, ambient operating conditions and engine-to-engine variability. Given both the wide array of products on which engines are placed and the variety of environmental issues applicable to operating the equipment, the gas engine will not develop the rated gross power when used in a given piece of power equipment (actual "on-site" or net horsepower). This difference is due to a variety of factors including, but not limited to, accessories (air cleaner, exhaust, charging, cooling, carburetor, fuel pump, etc.), application limitations, ambient operating conditions (temperature, humidity, altitude), and engine-to-engine variability. Due to manufacturing and capacity limitations, Briggs & Stratton may substitute an engine of higher rated power for this Series engine.

**TRACTOR - MODEL NO. GTH2648 (96043003000), PRODUCT NO. 960 43 00-30
SEAT ASSEMBLY**



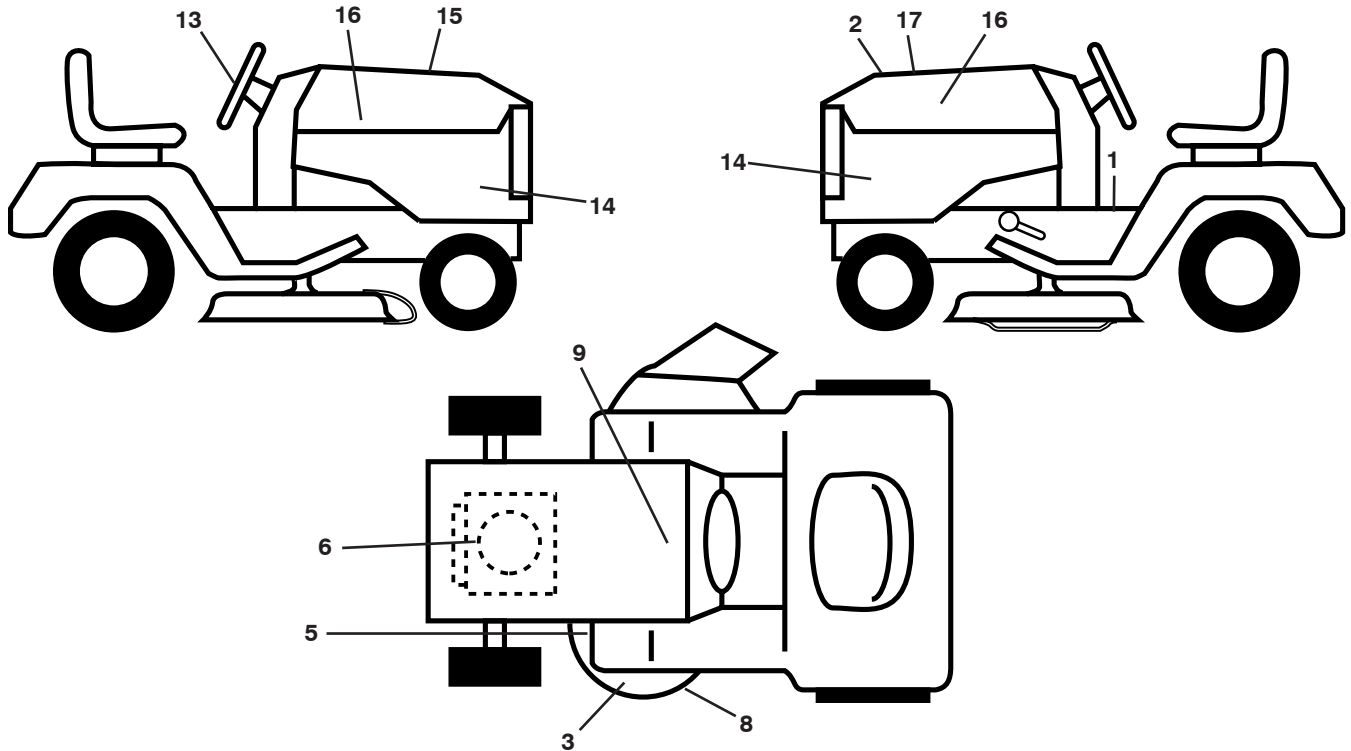
seat-tex_7-vgt

| KEY NO. | PART NO. | DESCRIPTION |
|---------|--------------|------------------------------|
| 1 | 532 40 66-21 | Seat |
| 2 | 532 18 01-66 | Bracket Pivot Fender |
| 3 | 532 14 06-75 | Strap, Asm Fender |
| 6 | 873 80 06-00 | Nut, Lock W/Ins. 3/8-16 unc |
| 7 | 532 12 41-81 | Spring, Seat Cprsn |
| 8 | 532 17 18-77 | Bolt 5/16-18 uncx 3/4 w/Sems |
| 10 | 532 19 69-77 | Pan, Seat |
| 21 | 532 17 18-52 | Bolt, Shoulder 5/16-18 |
| 37 | 873 80 05-00 | Nut, Lock 5/16-18 unc |

| KEY NO. | PART NO. | DESCRIPTION |
|---------|--------------|-------------------------------|
| 40 | 532 19 76-61 | Handle Slide Seat |
| 41 | 532 19 82-00 | Spring Latch Seat |
| 43 | 874 76 06-12 | Bolt Fin Hex 3/8-16 unc x 3/4 |
| 44 | 819 13 38-12 | Washer 13/32 x 2-3/8 x 12 Ga. |

NOTE: All component dimensions given in U.S. inches
1 inch = 25.4 mm

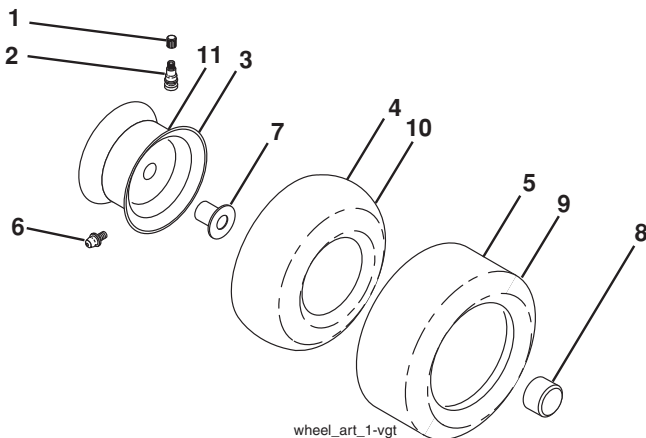
**TRACTOR - MODEL NO. GTH2648 (96043003000), PRODUCT NO. 960 43 00-30
DECALS**



| KEY NO. | PART NO. | DESCRIPTION |
|---------|--------------|-------------------------|
| 1 | 532 19 91-14 | Decal, Operator's |
| 2 | 532 40 21-28 | Decal, Hood Insert |
| 3 | 532 17 05-63 | Decal, Warning |
| 5 | 532 17 85-02 | Decal, Caution |
| 6 | 532 40 88-43 | Decal, Eng. HP |
| 8 | 532 19 87-85 | Decal, Mower Sch. |
| 9 | 532 14 50-05 | Decal, Battery Dnge/Poi |
| 13 | 532 40 44-84 | Decal, Steering Whl |

| KEY NO. | PART NO. | DESCRIPTION |
|---------|--------------|-----------------------|
| 14 | 532 41 06-64 | Decal, Panel Side |
| 15 | 532 18 09-41 | Decal, Cust. Resp. |
| 16 | 532 40 28-32 | Decal, Hood Logo |
| 17 | 532 40 84-64 | Decal, Replacement |
| -- | 532 16 69-60 | Decal, Bypass |
| -- | 532 40 17-71 | Pad, Footrest, LH |
| -- | 532 40 17-70 | Pad, Footrest, RH |
| -- | 532 40 83-75 | Manual, Owner's (Eng) |
| -- | 532 40 83-76 | Manual, Owner's (Fr) |

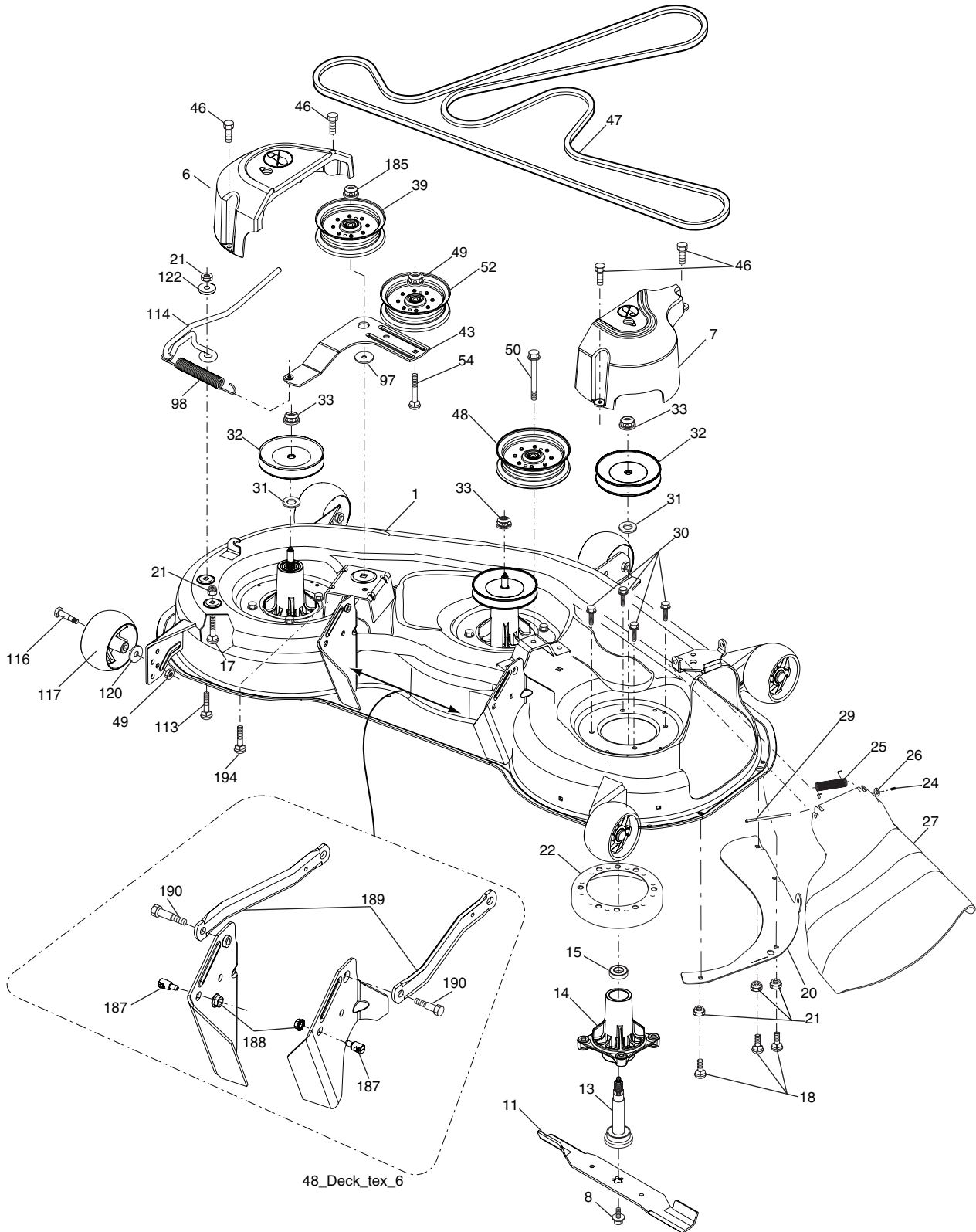
WHEELS AND TIRES



| KEY NO. | PART NO. | DESCRIPTION |
|---------|--------------|------------------------------------|
| 1 | 532 05 91-92 | Cap, Valve, Tire |
| 2 | 532 06 51-39 | Stem, Valve |
| 3 | 532 14 45-09 | Rim Assembly, Front |
| 4 | 532 05 99-04 | Tube, Front (Service Item Only) |
| 5 | 532 10 62-30 | Tire, Front |
| 6 | 532 12 49-57 | Fitting, Grease (Front Wheel Only) |
| 7 | 532 12 49-59 | Bearing, Flange (Front Wheel Only) |
| 8 | 532 17 50-39 | Cap, Axle (Front Wheel Only) |
| 9 | 532 10 55-88 | Tire, Rear |
| 10 | 532 12 49-26 | Tube, Rear (Service Item Only) |
| 11 | 532 14 45-10 | Rim Assembly, Rear |
| -- | 532 14 43-34 | Sealant, Tire (10 oz. Tube) |

NOTE: All component dimensions given in U.S. inches
1 inch = 25.4 mm

**TRACTOR - MODEL NO. GTH2648 (96043003000), PRODUCT NO. 960 43 00-30
MOWER DECK**



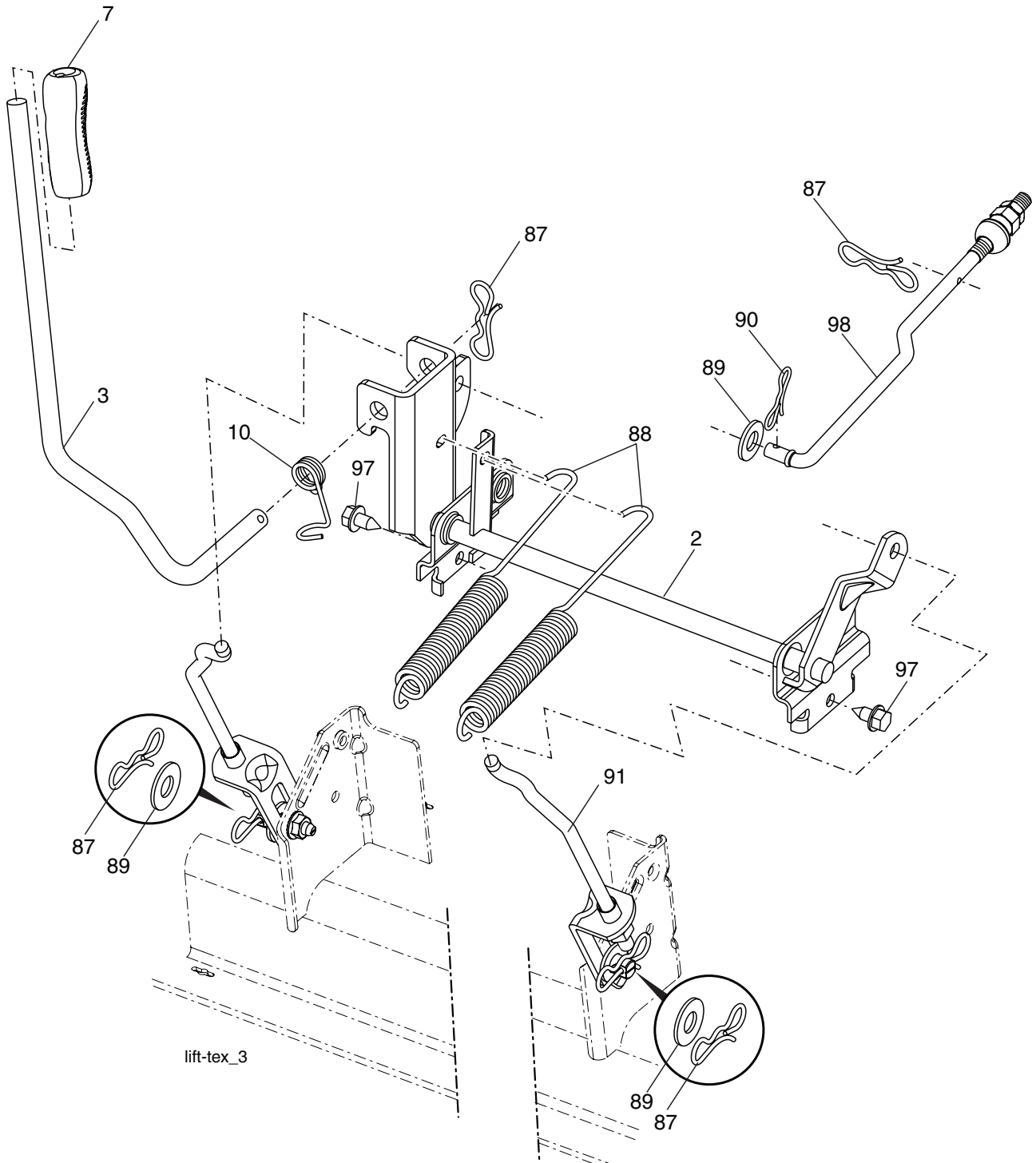
**TRACTOR - MODEL NO. GTH2648 (96043003000), PRODUCT NO. 960 43 00-30
MOWER DECK**

| KEY NO. | PART NO. | DESCRIPTION |
|---------|--------------|------------------------------|
| 1 | 532 40 35-82 | Deck Weldment Mower |
| 6 | 532 19 72-48 | Cover Mandrel LH |
| 7 | 532 19 91-02 | Cover Mandrel RH |
| 8 | 532 17 43-65 | Bolt 7/16 Asm. Blade |
| 11 | 532 18 00-54 | Blade High Lift |
| 13 | 532 18 72-91 | Shaft Asm. w/Lower Bearing |
| 14 | 532 18 72-81 | Housing, Mandrel |
| 15 | 532 11 04-85 | Bearing, Ball, Mandrel |
| 17 | 872 11 05-05 | Bolt Carriage 5/16-18 x 5/8 |
| 18 | 872 14 05-05 | Bolt RdHd 5/16-18 unc x 5/8 |
| 20 | 532 17 43-78 | Baffle Vortex Mower |
| 21 | 873 68 05-00 | Nut, Crownlock 5/16-18 unc |
| 22 | 532 17 44-93 | Stripper Mandrel Deck |
| 24 | 532 10 53-04 | Cap Sleeve |
| 25 | 532 17 81-02 | Spring, Torsion |
| 26 | 532 11 04-52 | Nut, Push |
| 27 | 532 18 17-07 | Deflector Shield |
| 29 | 532 13 14-91 | Rod, Hinge |
| 30 | 532 17 39-84 | Screw, Thdroll Washer Head |
| 31 | 532 18 76-90 | Washer, Spacer Mower Vented |
| 32 | 532 17 34-35 | Pulley, Mandrel |
| 33 | 532 40 02-34 | Nut, Flg. Top Lock |
| 39 | 532 19 61-04 | Pulley, Idler, Stationary LH |
| 43 | 532 19 60-65 | Arm, Idler |
| 46 | 532 13 77-29 | Screw, Thdroll. 1/4-20 x 5/8 |
| 47 | 532 19 72-42 | Belt Deck Drive |

| KEY NO. | PART NO. | DESCRIPTION |
|---------|--------------|---|
| 48 | 532 17 79-68 | Pulley Idler Clutching |
| 49 | 873 90 06-00 | Nut, Lock Flg. 3/8-16 unc |
| 50 | 872 11 06-12 | Bolt Carriage 3/8-16 x 1-1/2 Gr. 5 |
| 52 | 532 19 61-06 | Pulley Idler |
| 54 | 817 49 06-36 | Screw 3/8-16 x 2-1/4 |
| 97 | 532 17 85-15 | Washer Hardened |
| 98 | 532 19 61-05 | Spring Drive |
| 113 | 872 11 05-08 | Bolt Rdhd Sqnk 5/16-18 x 3/4 |
| 114 | 532 19 74-51 | Rod Tension Relief |
| 116 | 532 19 34-06 | Bolt, Shoulder |
| 117 | 532 17 48-73 | Gauge Wheel |
| 120 | 819 13 20-12 | Washer 13/32 x 1-1/4 x 12 Ga. |
| 122 | 532 18 75-57 | Bushing Tension Relief |
| 185 | 873 90 07-00 | Nut Lock Flange 7/16-14 Gr. 5 |
| 187 | 532 19 51-61 | Stud Fastener w/"D" Anti-Rotation |
| 188 | 873 90 05-00 | Nut Lock Hex Flange |
| 189 | 532 19 51-85 | Arm Susp. Mower Rear |
| 190 | 532 19 65-39 | Bolt Shoulder |
| 194 | 872 14 07-16 | Bolt Carr Sqnk 7/16-24 x 2 |
| -- | 532 18 72-92 | Mandrel Asm. Service (Includes Key Nos. 13-15 and 33) |
| -- | 532 40 12-38 | Replacement Mower, Complete |
| -- | 532 17 39-21 | Blade Mulching |

NOTE: All component dimensions given in U.S. inches
1 inch = 25.4 mm

**TRACTOR - MODEL NO. GTH2648 (96043003000), PRODUCT NO. 960 43 00-30
MOWER LIFT**



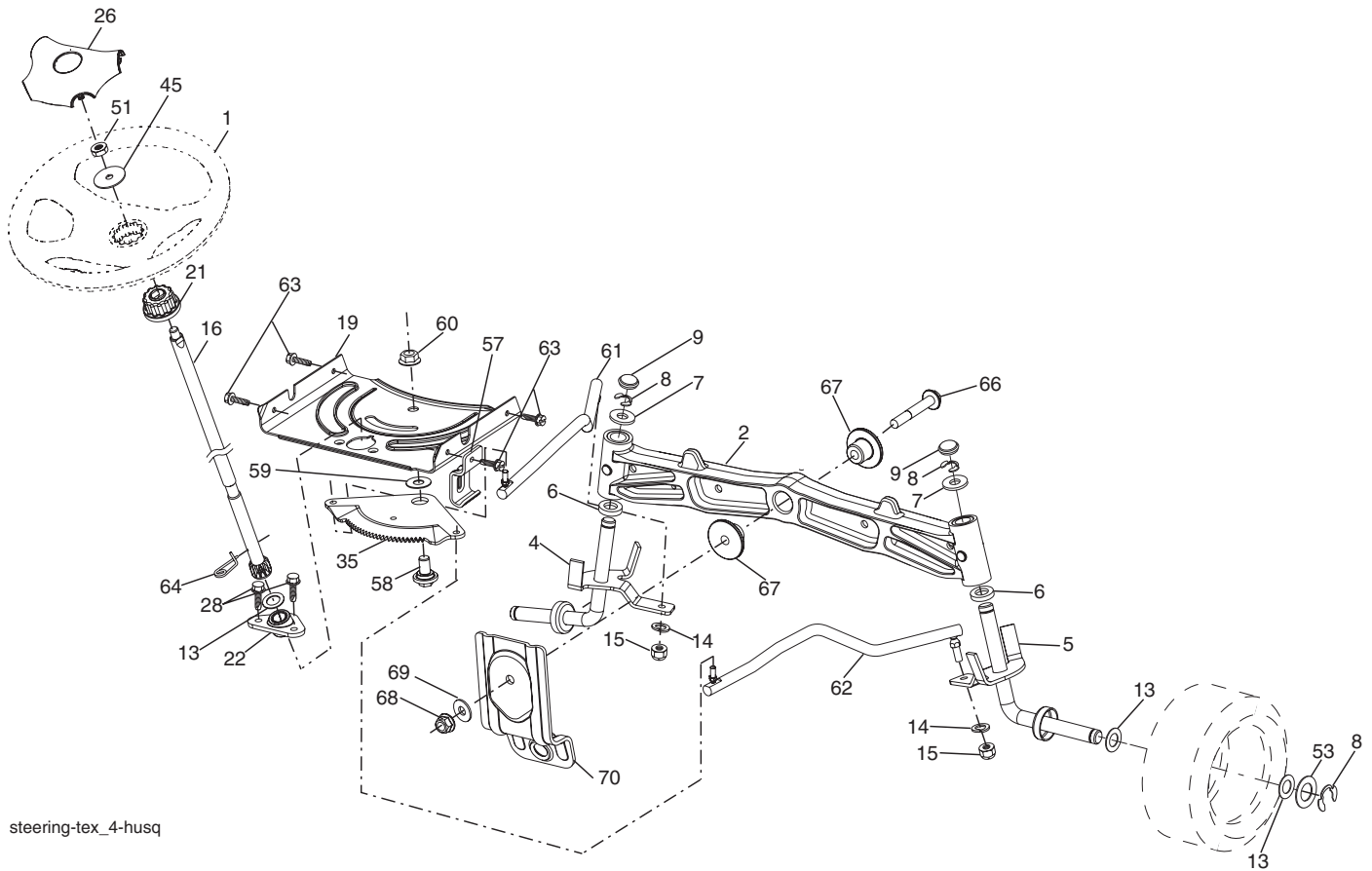
| KEY NO. | PART NO. | DESCRIPTION |
|---------|--------------|------------------------------|
| 2 | 532 19 52-23 | Shaft Asm., Lift |
| 3 | 532 19 52-30 | Lever Asm., Lift Rh |
| 7 | 532 19 64-92 | Grip, Lever |
| 10 | 532 19 63-14 | Spring Torsion |
| 87 | 532 19 42-09 | Pin Cotter 7/16 Bow Tie Lock |
| 88 | 532 19 53-04 | Spring Lift Assist |
| 89 | 819 19 19-12 | Washer Clear Zinc |

| KEY NO. | PART NO. | DESCRIPTION |
|---------|--------------|----------------------------------|
| 90 | 532 19 42-08 | Pin Cotter 5/16 Bow Tie Lock |
| 91 | 532 19 79-84 | Link Lift Susp Mower Rear |
| 97 | 817 06 06-12 | Screw 3/8-16 x .75 Smgml Tap/R.Z |
| 98 | 532 19 52-64 | Link Lift Susp. Front Mower |

NOTE: All component dimensions given in U.S. inches
1 inch = 25.4 mm

TRACTOR - MODEL NO. GTH2648 (96043003000), PRODUCT NO. 960 43 00-30

STEERING ASSEMBLY



steering-tex_4-husq

| KEY NO. | PART NO. | DESCRIPTION | KEY NO. | PART NO. | DESCRIPTION |
|---------|--------------|-------------------------------|---------|--------------|-------------------------------------|
| 1 | 532 19 39-43 | Wheel, Steering | 51 | 873 94 08-00 | Nut Hex Jam Toplock 1/2-20 unf |
| 2 | 532 19 59-68 | Axle Asm., Front | 53 | 532 18 89-67 | Washer Hardened .793 x 1.637 x .060 |
| 4 | 532 40 30-89 | Spindle Asm., LH | 57 | 532 19 72-46 | Bracket Upstop |
| 5 | 532 40 30-90 | Spindle Asm., RH | 58 | 532 19 47-47 | Bolt Shoulder Sector Pivot CFM |
| 6 | 532 12 49-31 | Bearing, Race Thrust Harden | 59 | 532 19 47-48 | Washer Thrust Sector Steering |
| 7 | 532 12 17-48 | Washer 25/32 x 1-5/8 x 16 Ga. | 60 | 873 97 10-00 | Nut Flange Lock 5/8-11 |
| 8 | 812 00 00-29 | Ring, Klip #T5304-75 | 61 | 532 19 47-40 | Draglink LH |
| 9 | 532 12 12-32 | Cap, Spindle | 62 | 532 19 47-41 | Draglink, RH |
| 13 | 532 12 17-49 | Washer 25/32 x 1-1/4 x 16 Ga. | 63 | 817 00 05-12 | Screw 5/16-18 x 3/4 |
| 14 | 810 04 06-00 | Washer, Lock Hvy Hlcl Spr 3/8 | 64 | 532 19 98-49 | Retainer Clip Spring Steering |
| 15 | 873 54 06-00 | Nut, Crown Lock 3/8-24 unf | 66 | 871 02 07-48 | Bolt Hex Fghd 7/16-14 x 3 Serr |
| 16 | 532 19 47-46 | Shaft Steering | 67 | 532 19 47-37 | Bushing PM Front Axle |
| 19 | 532 19 47-29 | Plate Steering | 68 | 873 90 07-00 | Nut Lock Flange 7/16-14 Gr. 5 |
| 21 | 532 18 67-37 | Adapter, Wheel Steering | 69 | 532 19 91-62 | Washer 1.5 x .505 x .118 |
| 22 | 532 19 48-45 | Bushing, Strg. Blk | 70 | 532 19 61-97 | Bracket Deck Susp. Front |
| 26 | 532 19 36-52 | Insert, Wheel Steering | | | |
| 28 | 817 00 06-12 | Screw 3/8-16 x 3/4 | | | |
| 35 | 532 19 47-32 | Gear, Sector Plate | | | |
| 45 | 819 18 38-12 | Washer 9/16 x 2-3/8 x 12 Ga. | | | |

NOTE: All component dimensions given in U.S. inches
1 inch = 25.4 mm