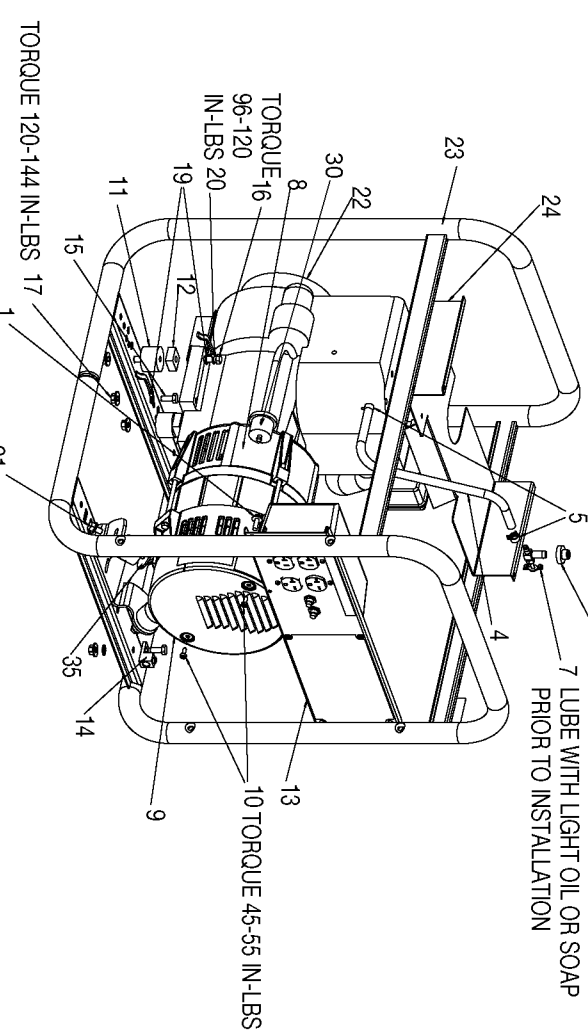
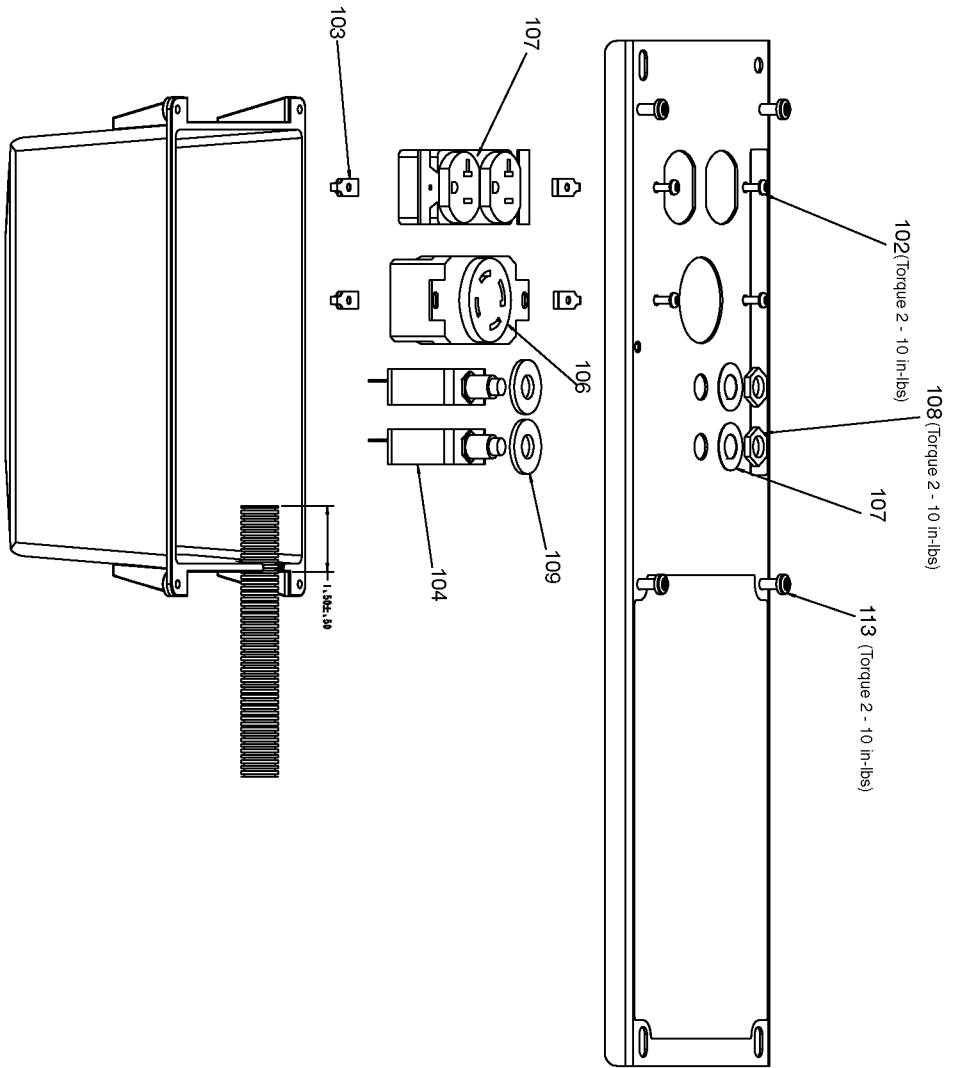


6 LUBE WITH LIGHT OIL OR SOAP
PRIOR TO INSTALLATION

7 LUBE WITH LIGHT OIL OR SOAP
PRIOR TO INSTALLATION





Parts List for GT5250-WK Type 2

Item Number	Part Number	Description	Qty Required
1	91895680	SCREW .250-20X.750 H	1
2	Z-GS-0795	TANK FUEL 7G SS	1
3	GS-0443	CAP FUEL TANK	1
4	Z-A14582	HOSE FUEL	1
5	GS-0227	CLAMP FUEL .50	1
6	N103455	GROMMET	1
7	GS-0437	DRAIN COCK	1
8	000000-00	No Longer Available	1
8	GS-0872	RESISTOR 10K OHM	2
8	GS-0871	DIODE 10AMP 1000V	2
9	GS-0077	COVER END BLANK	1
10	SSF-553-1	SCREW #10-24X.563 TH	1
11	GS-0033	ISOLATOR VIBRATION 1	1
12	GS-0746	SPACER ENGINE TECUMS	1
13	GS-0605	PANEL WIRE HARNESS G	1
14	GS-0117	LUG GROUND	1
15	SS-12-CD	SCREW .313-18X.750 H	1
16	SSF-3121-ZN	SCREW .313-18X1.75 H	1
17	SSF-8150	NUT .312-18 UNC HEX	1
19	N017772	LOCK WASHER	1
20	GS-0118	STRAP GROUND	1
21	000000-00	No Longer Available	1
22	000000-00	No Longer Available	1
23	GS-0873	CAPACITOR 25UF 3% 37	1
30	GS-0513	FUEL FILTER TEC 8 &	1
33	SSN-632	WASHER .875 OD .375	1
35	SSN-1014-ZN	WASHER .339/.344 ID	1

Parts List for GT5250-WK Type 2

Item Number	Part Number	Description	Qty Required
101	000000-00	No Longer Available	1
102	SSF-583	SCREW #6-32X.500 PAN	1
103	SSF-584	NUT #6-32 SPEED SELF	1
104	D21508	BREAKER CIRCUIT	1
106	GS-0445	RECEPTACLE 4 PRONG T	1
107	GS-0019	RECEPTACLE 120V 20A	1
108	SSF-595	NUT .438-28 UNEF HEX	1
109	SS-1525-CD	WASHER WRT 3/8	1
110	D25706	COVER PANEL MINI W/C	1
111	GS-0605	PANEL WIRE HARNESS G	1
113	SSF-3156	SCREW #10-9X.500 THD	1