

USED PRIOR TO APRIL 1992
AND AFTER JANUARY 2010

USED FROM APRIL 1992
THROUGH DECEMBER
2009

PRIOR TO NOV. 1, 2005
OLD STYLE UNLOADING HEAD
(UNAVAILABLE)

AS OF NOV. 1, 2005
(NEW STYLE)

AS OF NOV. 1, 2005
(NEW STYLE)

START/STOP
HEADS

GTU UNLOADING
HEAD ASSY.

GTU UNLOADING
HEAD ASSY.

RIGHT BANK

LEFT BANK

AS OF
JAN 1, 2013
(NEW STYLE)

PRIOR TO
JAN 1, 2013
(OLD STYLE)

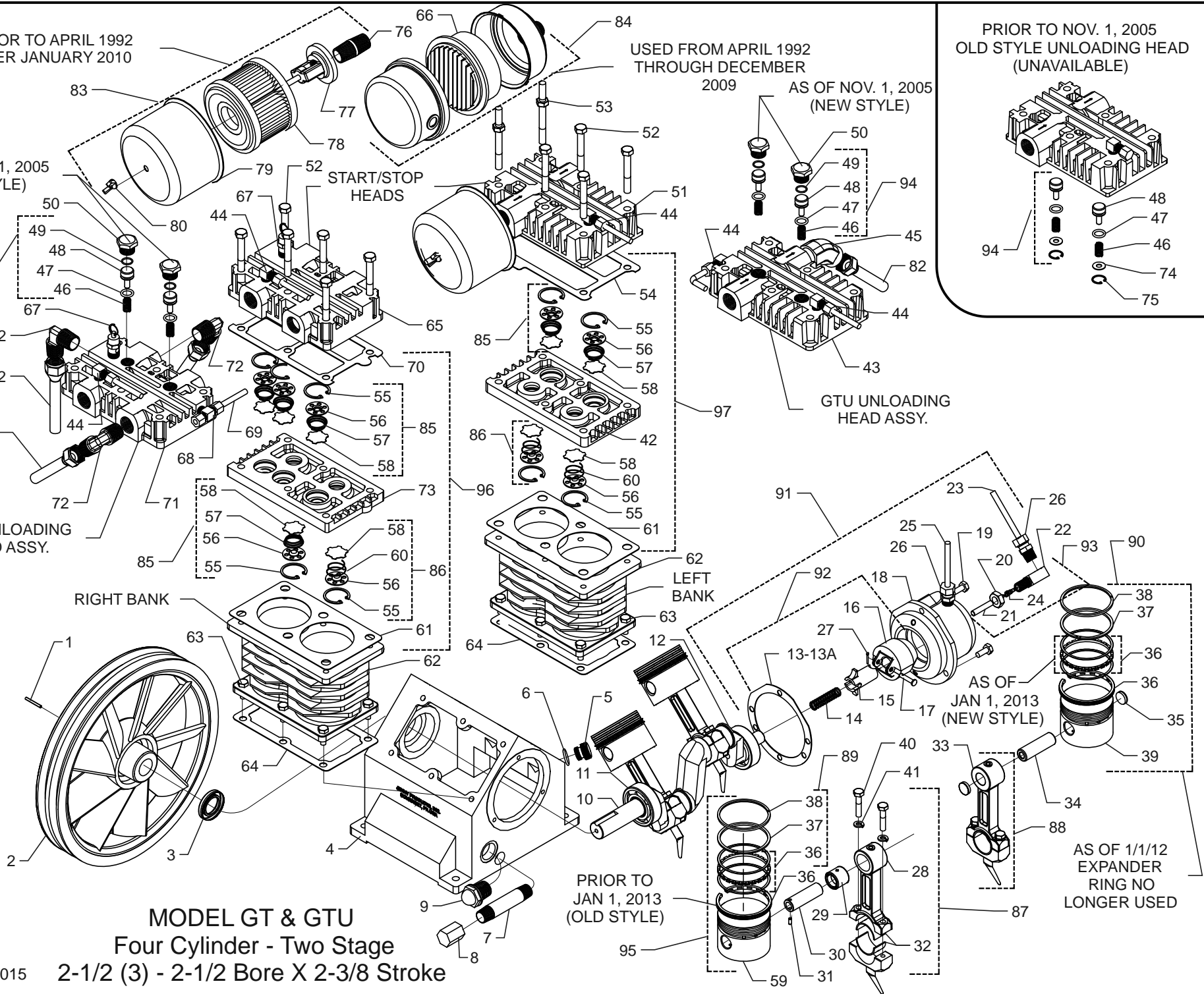
AS OF 1/12
EXPANDER
RING NO
LONGER USED

MODEL GT & GTU

Four Cylinder - Two Stage

2-1/2 (3) - 2-1/2 Bore X 2-3/8 Stroke

Copyright 2015



Parts List for Model GT, GTU

NOTE: The quantity number indicates the total number of pieces required for a complete unit repair.
When ordering parts give compressor model, serial number and part number. Order assemblies when possible.

<u>REF. NO.</u>	<u>PART NO.</u>	<u>DESCRIPTION</u>	<u>QTY.</u>
1	120-1163	PIN,ROLLED,COILED,STL,BLK,1/4ODX1L,K25	1
2	610-1422	FLYWHEEL,GT PUMP,CI,13-1/4,2GROOVE,GT23A	1
3	150-1036	SEAL,OIL,LIP,SINGLE,0.875 DIA,K11E	1
4	610-1440	CRANKCASE,G PUMP,CI,MACHINED,Y1A	1
5	610-1029	PLUG,CRANKCASE,FILL,OIL,W/O-RING,K14	1
6	104-1016	RING,O,BUNA-N,5/8"IDX13/16"ODX3/32"THK	1
7	122-1037	NIPPLE,STEEL,SCH 40,3/8" X 2" L	1
8	122-1084	CAP,FEMALE,MI,3/8"NPT	1
9	160-1052	GAUGE,SIGHT,LEVEL,OIL,1/2"NPT	1
10	610-1399	CRANKSHAFT,Y PUMP,CI,MACHINED,Y20A	1
11	150-1000	BEARING,BALL,K9	1
12	150-1008	BEARING,BALL,L9	1
13	104-1000-01	GASKET,CAP,BEARING,F&K&G PUMP,1/32THK,L3	1
13A	104-1000-02	GASKET,CAP,BEARING,F&K&G PUMP,1/64THK,L4	1
14	150-1081	COIL SPRING C/U UNLOADER ZN	1
15	220-1049	TUBE,OPERATING,CENTRIFICAL UNLOADER,EQ71	1
16	610-1167	UNLOADER,CENTRIFUGAL,WEIGHT,SET,EQ70	1
17	610-1066	PIN,PIVOT,UNLDR,CNTRFCL,W/CTTR PIN,EQ73	1
18	610-1431	CAP,BEARING,L PUMP,CI,3 HOLES,PAINTED,L2	1
19	120-1002	SCREW,CAP,HEXHD,GR5,ST,BLK,1/4-20X5/8 (10 FT-LB)	3
20	120-1171	NUT,HEX,JAM,STEEL,PLATED,7/16-20,EQ74C	1
21	220-1050	PIN,UNLOADER,CENTRIFICAL,EQ74D	1
22	150-1035	BODY,UNLOADER,EQ74B	1

Parts List for Model GT, GTU

NOTE: The quantity number indicates the total number of pieces required for a complete unit repair.
When ordering parts give compressor model, serial number and part number. Order assemblies when possible.

<u>REF. NO.</u>	<u>PART NO.</u>	<u>DESCRIPTION</u>	<u>QTY.</u>
23	610-1120	TUBE,UNLOADER,CENTRIFUGAL,EQ PMP,CU,EQ78	1
24	120-1170	VALVE,CORE,EQ74A	1
25	610-1137	TUBE,BREATHER,CU,BENT,MGU&GCU>U,L18	1
26	121-1025	CONNECTOR,MALE,COMPRESSION,BR,1/4TBX1/8"	2
27	120-1169	PIN,COTTER,ST,BLACK,1\16DIA X1\2LG,EQ73B	1
28	310-1010	ROD,CONNECTING,AL,REPLACEMENT,EQ,L21W	1
29	150-1034	BEARING,NEEDLE,EQ38	1
30	150-1039	PIN,PISTON,STEEL,EQ35	1
31	120-1165	PIN,ROLLED,STEEL,BLACK,1/8ODX5/16L,EQ37	1
32	150-1011	BEARING,ROD,CONNECTING,PUMP,F,K,G	8
33	310-1001-02	ROD,CONNECTING,WO/BRNG INSERT,L21L&L21K	3
34	150-1005	PIN,PISTON,STEEL,HARDENED,K35	3
35	104-1103	BUMPER,WRIST PIN,PLASTIC,K36A	6
36	610-1065	KIT,RING,OIL,W/EXPANDER,ASSY,K34	4
37	150-1003	RING,COMPRESSION,PISTON,STEEL,EBA 22,K33	4
38	150-1013	RING,COMPRESSION,PISTON,W/TPR HK,EBA 33	4
39	220-1005	PISTON,PUMP,ALUMINUM,MACHINED,K32	3
40	610-1047	SCREW,ROD,STEEL,W/LOCK WASHER,1/4-20,L22 (10 FT - LB)	8
41	120-1068	WASHER,LOCK,SPLIT,ST,BLK,HIGH CLLR,1/4"	8
42	220-1013	PLATE,VALVE,L PUMP,CI,MACHINED,L40	1
43	220-1016	HEAD,UNLOADING,G PUMP,CI,6HOLES,LU80 LEFT HAND HEAD	1
44	121-1032	ELBOW,MALE,COMPRESSION,BR,1/4TBX1/8"NPTM	3

Parts List for Model GT, GTU

NOTE: The quantity number indicates the total number of pieces required for a complete unit repair.
When ordering parts give compressor model, serial number and part number. Order assemblies when possible.

<u>REF. NO.</u>	<u>PART NO.</u>	<u>DESCRIPTION</u>	<u>QTY.</u>
45	121-1108	ELBOW,BRASS,MALE,45DEG,1/2-45SAEX1/2"NPT	1
46	150-1020	SPRING,VALVE,UNLOADER,INTAKE, KU83	4
47	104-1020	RING,O,SILICON,7/16"IDX5/8"ODX3/32"THK	4
48	150-1028	PISTON,UNLOADER,VALVE,CHECK,BRASS,KU81	4
49	104-1015	RING,O,BUNA-N,1/2"IDX11/16"ODX3/32"THK	4
50	122-1051	PLUG,HEX ,BRASS,11/16-16 UN-2B X .550	4
51	310-1022	HEAD,START/STOP,GT PUMP	1
52	120-1028	SCREW,CAP,HEXHD,GR5,ST,BLK,5/16-18X2-1/4 (22FT-LB	10
53	120-1252	BOLT,STUD,HEX,ST,5/16-18X2-1/4X5/8,K52-1 (22FT-LB)	2
54	104-1008	GASKET,HEAD,K&G&W PUMP,1/32THK,L51	1
55	150-1041	RETAINER,VALVE,STEEL,PAS,0.062"THK,K43	9
56	109-1010	VALVE,CHECK,BUMPER,STEEL,K44	9
57	150-1018	SPRING,CONE,SS,VALVE,DISCHARGE,K46	6
58	109-1011	VALVE,DISC,STAINLESS STEEL,K47	9
59	220-1042	PISTON,PUMP,AL,MACHINED,2 STAGE,K32W	1
60	150-1017	SPRING,CONE,SS,VALVE,INTAKE,K45	3
61	104-1007	GASKET,PLATE,VALVE,K&G&W PUMP,1/32TK,L41	2
62	360-1150	CYLINDER K30 BLUE EMGLO REPLACEMENT	2
63	120-1017	SCREW,CAP,HEXHD,GR5,ST,BLK,5/16-18X3/4 (15 FT-LB)	12
64	104-1006	GASKET,CYLINDER,K&G&W PUMP,1/32THK,K31	2
65	310-1022	HEAD,START/STOP,GT PUMP	1
66	150-1104	ELEMENT,FILTER,AIR,G54E	2
67	141-1018	VALVE,SAFETY,ASME,1/4",65 PSI	1
68	121-1039	TEE,BRANCH,BRASS,1/4"TBX1/4"TBX1/8"NPTM	1

Parts List for Model GT, GTU

NOTE: The quantity number indicates the total number of pieces required for a complete unit repair.
When ordering parts give compressor model, serial number and part number. Order assemblies when possible.

<u>REF. NO.</u>	<u>PART NO.</u>	<u>DESCRIPTION</u>	<u>QTY.</u>
69	610-1121	TUBING,UNLOADER,HEAD-HEAD,MGU PUMP,LU88	1
70	104-1013	GASKET,HEAD,K&G&W PUMP,1/32THK,EQ51 RIGHT HAND HEAD	1
71	310-1013	HEAD,UNLOADING,EQ PUMP,CI,6HOLES,EQ80 RIGHT HAND HEAD	1
72	121-1013	ELBOW,MALE,BRASS,1/2-45SAEX1/2"NPTM	3
73	610-1392	PLATE,VALVE,W PUMP,CI,MACHINED,W40	1
74	150-1042	WASHER,BRASS,1/32X 0.605ODX1/4 ID,KU84	4
75	120-1167	RETAINER,INTERNAL,ST,0.035X 0.665,KU85	4
76	122-1144	NIPPLE,CLOSE,STEEL,SCH 80,PLATED,1/2"	2
77	104-1102	BRACKET,FILTER,AIR,NYLON,BLACK,L53	2
78	150-1010	ELEMENT,FILTER,AIR,COMPRESSOR,JENNY,L54E	2
79	320-1006	COVER,FILTER,W/DECALS,L54	2
80	120-1104	NUT,WING,ST,FORGED,PLATED,1/4-20, L55	2
81	610-1056	INTERCOOLER,FINNED,W/FLARE NUTS,ASY,EQ62	1
82	610-1057	INTERCOOLER,FINNED,W/FLARE NUTS,ASY,EQ65	1
Assemblies			
83	320-1000	FILTER,W/DECAL,ASSY,L154 INCLUDES 77, 78, 79, 80	2
84	320-1121	FILTER,W/DECAL,ASSY,G154S	2
85	610-1032	VALVE,DISCHARGE,ASSY,K146 INCLUDES 55, 56, 57, 58	6
86	610-1031	VALVE,SUCTION,ASSY,K145 INCLUDES 55, 56, 58, 60	3
87	610-1412	ROD,CONNECTING,W/INSRT,HI PSI,L21L&L21K INCLUDES 28, 29, 32(2), 40(2), 41(2)	1
88	610-1411	ROD,CONNECTING,W/BEARNG INSERT,L21L&L21K INCLUDES 32(2), 33, 40(2), 41(2)	3

Parts List for Model GT, GTU

NOTE: The quantity number indicates the total number of pieces required for a complete unit repair.
When ordering parts give compressor model, serial number and part number. Order assemblies when possible.

<u>REF. NO.</u>	<u>PART NO.</u>	<u>DESCRIPTION</u>	<u>QTY.</u>
89	610-1020	KIT,PUMP,RING,PISTON,F&K&G&W PUMP,K133 INCLUDES 36(2) , 37(2) , 38(2)	2
90	610-1028	PISTON,W/RINGS&PIN,ASSY,K132 (LP) INCLUDES 34, 35(2), 36, 37, 38, 39	3
91	610-1060	UNLOADER,CENTRIFICAL,W/B CAP,ASSY,Y175 INCLUDES 18, 19(3), 92, 93	1
92	610-1015	UNLOADER,CENTRIFICAL,PUMP,ASSY,EQ170 W / GASKET, INCLUDES 13, 13A, 14, 15, 16, 17, 27	1
93	310-1016	VALVE,UNLOADER,CENTRIFICAL,ASSY,EQ174 INCLUDES 20, 21, 22, 24	1
94	610-1042	VALVE,UNLOADER,HEAD,PUMP,ASSY,KU181 INCLUDES 46, 47, 48, 49, 74, 75	4
95	610-1013	PISTON,HIGH PSI,W/RINGS&PIN,ASSY,EQ132 INCLUDES 30, 31, 36, 37, 38, 59	1
96	610-1045	PLATE,VALVE,W/VALVES,ASSY,L140 INCLUDES 61, 70, 73, 85(4), 86	1
97	610-1052	PLATE,VALVE,RIGHT,W/VALVES,ASSY,W140 INCLUDES 42, 54, 61, 85(2), 86(2)	1
NOT SHOWN	610-1011	KIT,GASKET,EQ PUMP,ASSY,EQ100, GT INCLUDES 13, 13A, 54, 61(2), 64(2), 70	1
NOT SHOWN	105-1209	OIL,PUMP,SYNTHETIC,BLUE,1 QUART,ESQ	1
NOT SHOWN	610-1226	KIT,FILTER,ASSY,G154,PKG OF 4,G154P	1
NOT SHOWN	610-1186	KIT,ELEMENT,FILTER,L54E,PKG OF 4,L54EP	1
NOT SHOWN	610-1295	KIT,BASIC,REPAIR,GT PUMP,GT101 INCLUDES 66(2), 85(6), 86(3), 89(2), 96	1
NOT SHOWN	610-1129	KIT,BASIC,REPAIR,GTU PUMP,GTU101 INCLUDES 66(2), 85(6), 86(3), 89(2),94, 96	1