



BOSCH

Cordless Jigsaw

GST 18V-50B | 3 601 EB2 010

Table of Content

Spare parts list.....	2
Illustration - Type.....	4

Spare parts list

Item	Part Number	Description	Illustration
1	1 619 P16 209	Housing Section	1
2	1 619 P16 473	Stator	1
3	1 619 P16 471	Rotor	1
9	1 619 P17 655	Manufacturer's nameplate GST18V-50B	1
10	1 619 P16 534	Electronics Module	1
19	2 609 110 201	Torx Flat-Head Screw 3x16	1
20	1 619 P17 656	Warning Label	1
22	1 619 P07 152	Torsion Spring	1
23	1 619 P07 128	Protecting Cover	1
24	1 619 P07 151	Lever Switch	1
25	1 619 P16 220	Switch Button	1
27	1 619 P16 223	Eccentric Cog Wheel	1
28	1 619 P16 221	Adjusting Slide	1
29	2 600 914 022	Needle bearing	1
30	1 619 P07 576	Shim	1
31	2 600 913 040	Needle-Roller Assembly	1
32	2 600 101 077	Shim 0,5 MM	1
33	1 619 P07 137	Fork Lever	1
34	2 600 590 006	Ratchet Cap	1
35	1 619 P07 140	Bearing bolt	1
36	2 600 100 588	Shim 0,5 MM	1
37	1 619 P07 133	Counterweight	1
38	1 619 P16 714	Cap	1
39	2 916 640 905	Spring retaining ring 8x0,8 N31A MR7	1
40	1 619 P07 147	Lifting Rod	1
41	1 619 P08 903	Plain bearing	1
42	1 619 X08 384	Coiled Spring	1
43	1 619 P07 139	Needle Roller	1
44	1 619 P07 143	Bearing bolt	1
45	1 619 P16 715	Base Plate	1
46	1 619 P07 138	Bearing bolt	1
47	2 601 030 022	Profile Beading	1
48	1 619 P07 163	fixing plate	1
49	2 916 640 001	Spring retaining ring DIN 471-4x0,4-FSt	1
50	1 619 P16 476	Headlamp Switch	1

Spare parts list				
Item	Part Number	Description		Illustration
51	1 609 280 477	Compression Spring		1
52	1 613 435 023	Thread-forming tap. Screw		1
53	1 619 P10 589	Key Holder		1
54	1 619 P16 713	Work Board		1
55	1 619 P17 929	Warning Label		1
57	1 619 P02 848	Torx Oval-Head Screw	4x12	1
58	1 619 P07 129	Roller Lever		1
58	1 619 P13 426	Roller Lever		1
59	1 619 P07 159	Bearing bolt		1
62	1 619 P07 157	Change-Over Switch		1
63	1 619 P07 156	Control Shaft		1
65	1 619 X04 887	Hex Socket Head Cap Screw		1
67	1 619 P07 158	Switch Slide		1
71	1 619 P16 199	Cover		1
72	2 603 435 015	Cross Recessed-Head Screw	DIN 7981-ST3,5x9,5-F	1
210	1 619 P17 547	Sticker		1
651	1 619 P16 710	Pad		1
652	1 619 P14 506	Offset Screwdriver		1
653	2 601 016 093	Splintering Protector		1
656	1 619 P07 166	Covering hood		1
808	1 619 P17 549	Nameplate		1
826	1 619 P08 888	Bearing Bracket		1
845	1 619 P16 712	Base Plate		1
862	1 619 P08 890	Change-Over Switch		1
873	1 619 P17 472	Suction Socket		1
895	3 605 430 003	Grease Tube	Albida	1
657	1 607 A35 0M0	Battery Pack	GBA 18V 4.0Ah	2
669	2 607 226 257	Fast Charger	USA GAL 18V-40 120V/ 4A/ 10.8-18V	2
669	2 607 226 287	Charger	US GAL 18V-20 120V / 2A	2

Illustration - Type - E

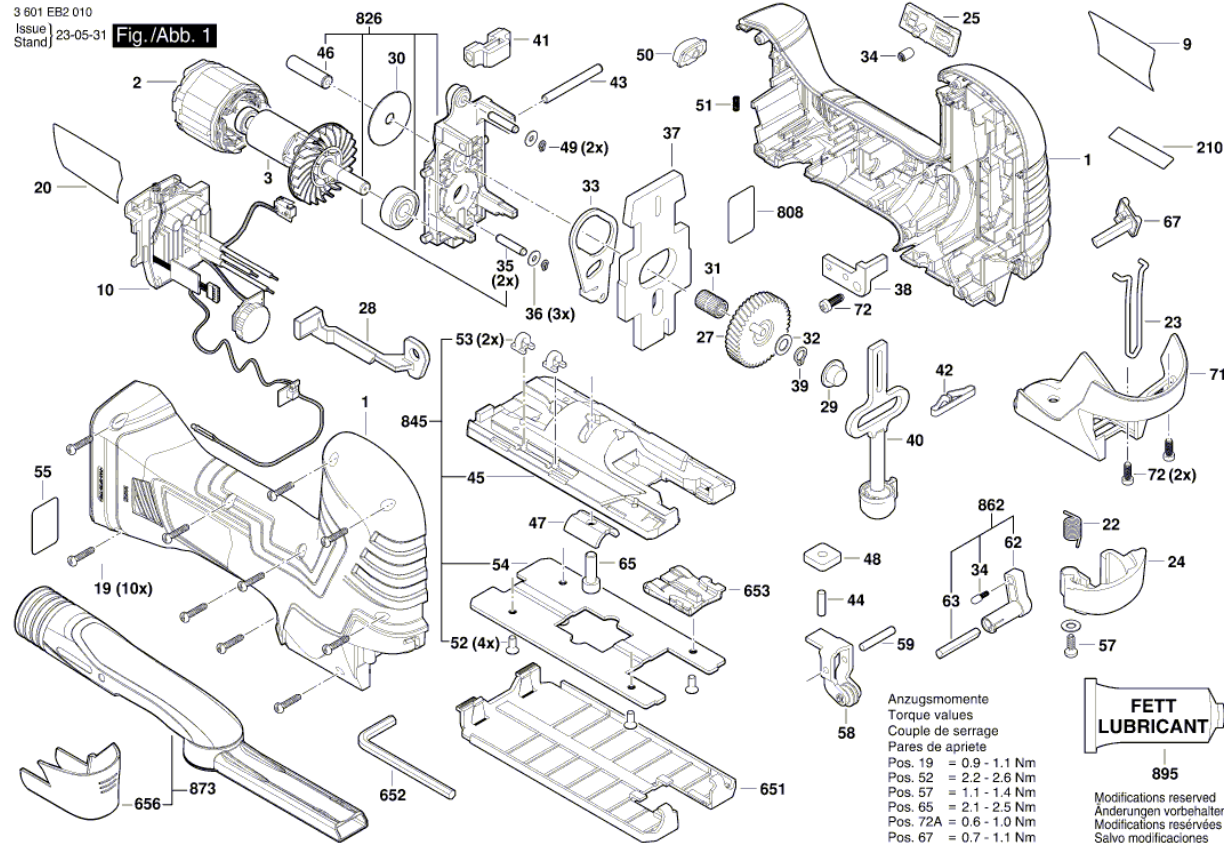
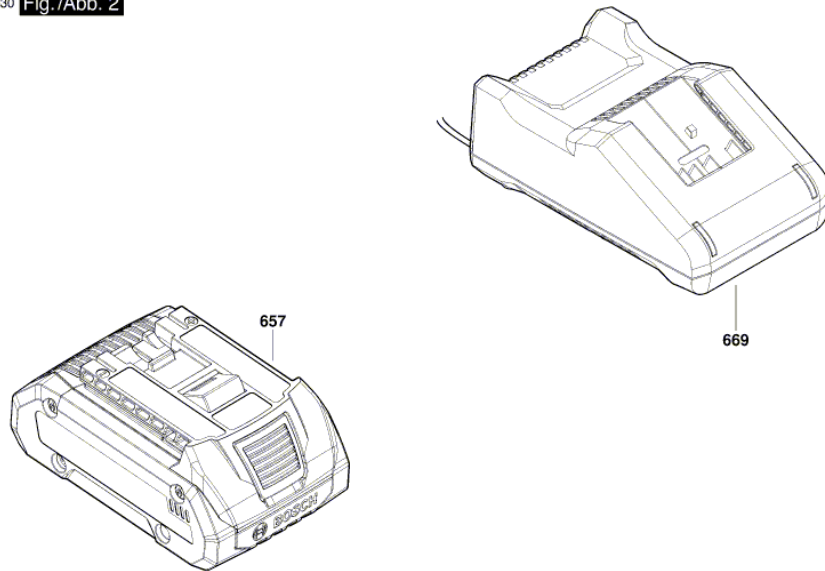


Illustration - Type - E

3 601 EB2 010
Issue | 22-11-30
Stand | **Fig./Abb. 2**



Modifications reserved
Änderungen vorbehalten
Modifications réservées
Salvo modificaciones