



**BOSCH**

# Orbital Sander

GSS 230 | 3 601 K70 080

---

## Table of Content

Spare parts list.....	2
Illustration - Type.....	3

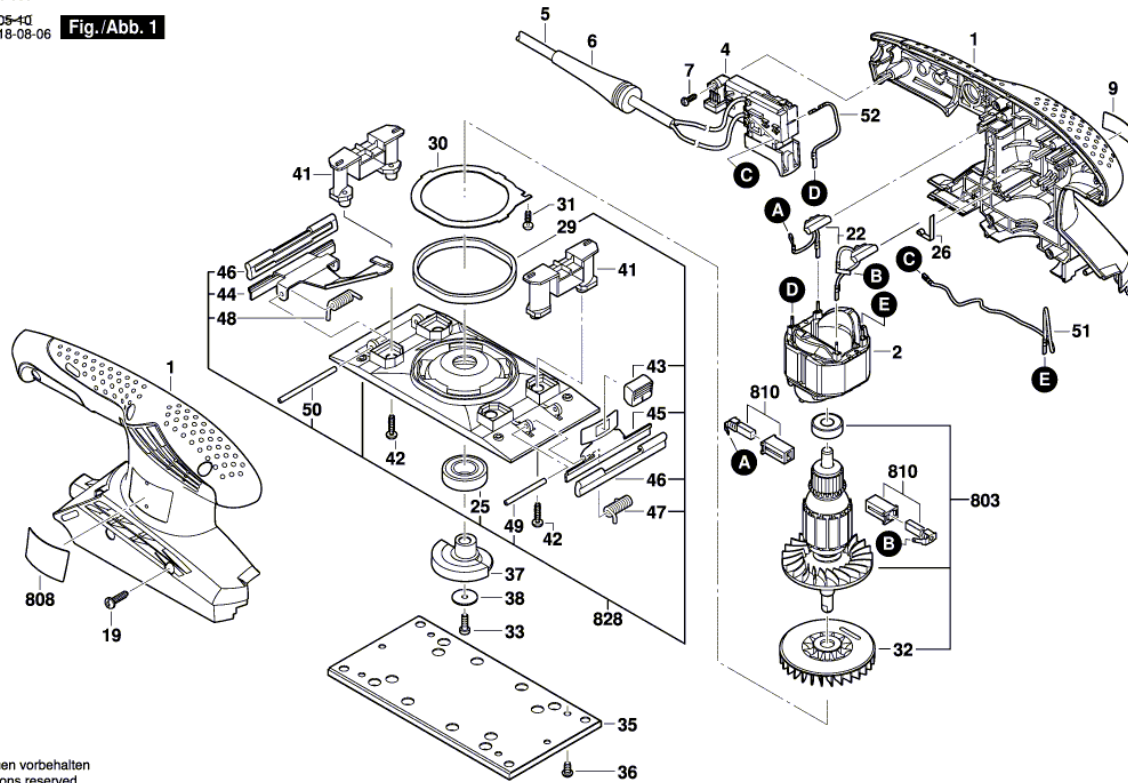
## Spare parts list

Item	Part Number	Description		
1	2 609 100 396	Housing	BLUE	
2	1 604 220 408	Field	230-240V	
4	2 607 200 632	Switch		
5	2 604 460 245	Power supply cord	CN 220V 2,65m 2 x 0,75mm H05 VV-F	
6	2 600 703 017	Grommet	Ø6,4-Ø7,2x76 MM	
9	2 609 130 838	Manufacturer's nameplate	GSS 230	
19	2 603 490 022	Screw	4x16	
22	2 609 120 182	Suppression Filter		
25	2 600 905 068	groove ball bearing	15x32x9	
26	2 601 329 057	Contact Spring		
29	2 609 170 044	Felt Strip		
30	2 609 110 407	Sheet metal cover		
31	2 609 110 190	Torx Oval-Head Screw		
32	2 609 100 544	Fan		
33	2 912 731 122	Socket head cap screw	M 4x12	
35	2 609 100 403	Foam Panel		
36	2 603 410 048	Thread-forming tap. Screw	M4x8	
37	2 609 110 405	Counterweight		
38	2 609 110 409	Plain Washer		
41	2 609 100 398	Vibration Foot		
43	2 610 920 651	Push Button		
44	2 609 110 410	Clamping Saddle		
45	2 609 110 411	Clamping Saddle		
46	2 609 170 042	Rubber Bar		
47	2 610 920 646	Coiled Spring Pin		
48	2 609 110 412	Compression Spring		
49	2 610 923 311	Roller Pin		
50	2 603 201 085	Straight Pin		
51	2 604 448 113	Connecting Cable	L=180MM	BLUE
52	2 609 120 183	Connecting Cable		
803	2 609 199 085	Armature With Fan	230-240V	
808	2 609 131 138	Nameplate		
810	2 609 120 199	Carbon-Brush Set		
828	2 609 199 066	Swing-Plate		

Illustration - Type - E

3 601 K70 080  
 Stand } D5-10  
 Issue } 18-08-06

Fig./Abb. 1



Änderungen vorbehalten  
 Modifications reserved  
 Modifications réservées  
 Salvo modificaciones