

Orbital Sander - 3 601 BA2 110 - GSS20-40

www.powertools-aftersaleservice.com

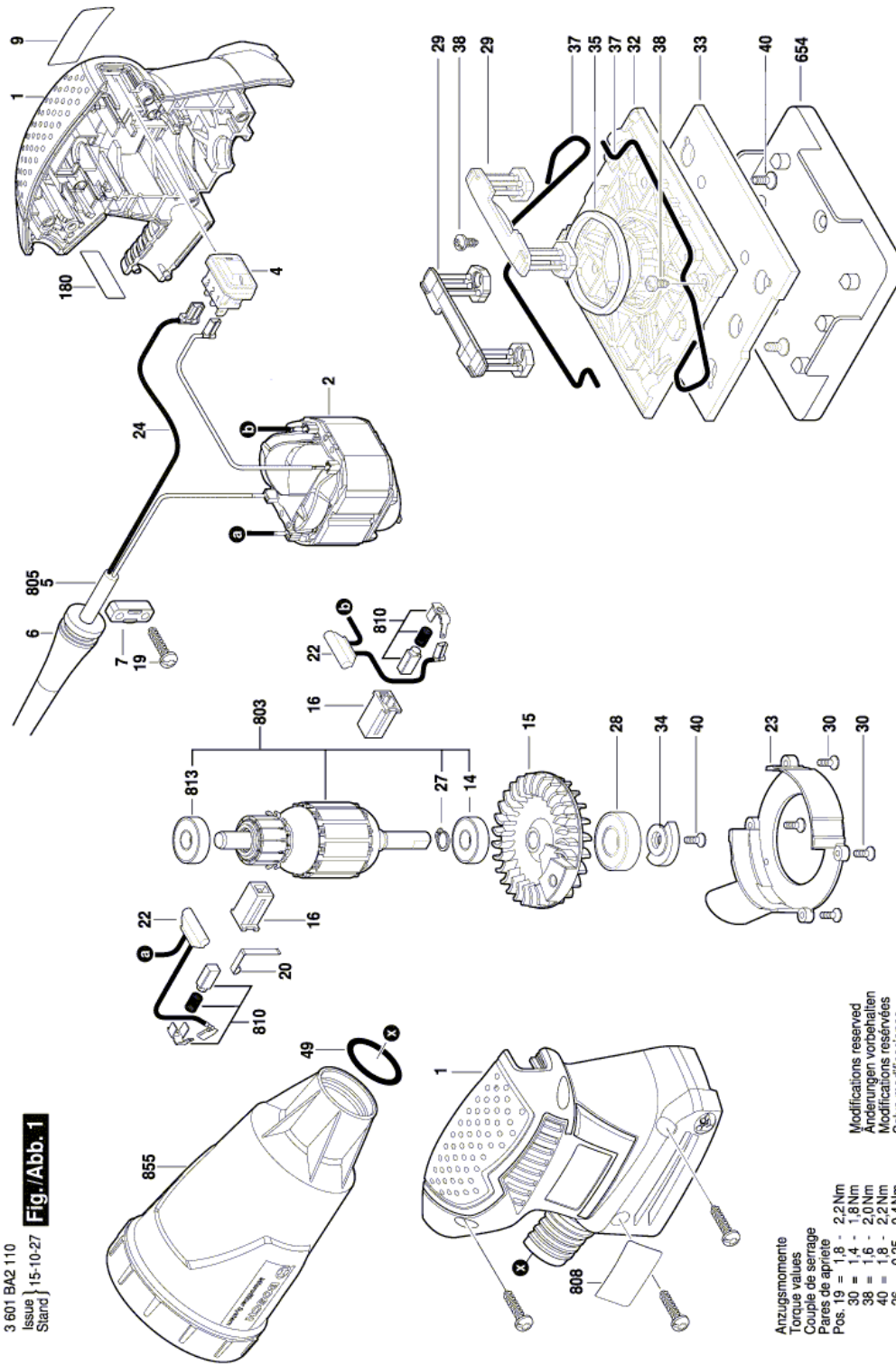


BOSCH

Item	Part Number	Description	Illustration	Price	Quantity	Price Group
1	2 609 101 361	Housing	1	-,-	1	24
2	1 604 220 413	Field 120V	1	-,-	1	29
4	1 607 200 190	Switch	1	-,-	1	22
5	2 610 920 616	Power supply cord	1	-,-	1	25
6	2 600 703 018	Grommet Ø7,3-Ø8,6x76 MM	1	-,-	1	13
7	2 601 035 001	Cable Clip	1	-,-	1	11
9	2 609 135 419	Manufacturer's nameplate GSS20-40	1	-,-	1	13
14	2 609 110 153	Ball Bearing 8x22x7	1	-,-	1	18
15	2 610 920 618	Fan	1	-,-	1	20
16	2 610 320 548	Brush Holder	1	-,-	2	13
19	2 603 490 022	Screw 4x16	1	-,-	6	10
20	2 601 329 057	Contact Spring	1	-,-	1	13
22	2 610 920 623	Cable	1	-,-	1	11
23	2 609 101 301	Fan Cover	1	-,-	1	11
24	2 610 920 622	Cable	1	-,-	1	10
27	2 916 540 005	Retaining ring DIN 7993-A8	1	-,-	1	10
28	2 609 110 748	Ball Bearing	1	-,-	1	20
29	2 609 101 302	Vibration Foot	1	-,-	2	17
30	2 609 111 844	Screw	1	-,-	4	10
32	2 609 112 106	Swing-Plate 100X110	1	-,-	1	21
33	2 609 170 288	Sander Plate	1	-,-	1	25
34	2 609 111 657	Counterweight	1	-,-	1	11
35	2 609 170 223	Felt	1	-,-	1	10
37	2 609 111 796	Clamp Handle	1	-,-	2	13
38	2 603 410 048	Thread-forming tap. Screw M4x8	1	-,-	2	11
40	2 610 915 161	Screw	1	-,-	4	15
49	1 610 210 045	O-Ring 23,0x3,0 MM	1	-,-	1	13
180	2 609 135 370	Warning Label	1	-,-	1	13
654	2 610 920 650	Punching Tool	1	-,-	1	21
803	2 609 199 891	Armature 120V	1	-,-	1	31
808	2 609 136 836	Nameplate	1	-,-	1	13
810	2 609 120 199	Carbon-Brush Set	1	-,-	1	22
813	2 610 917 489	Ball Bearing	1	-,-	1	22

Item	Part Number	Description	Illustration	Price	Quantity	Price Group
855	2 609 199 882	Dust container	1	-,-	1	24

Illustration - Type E



Information subject to change without further notice.