



BOSCH

Orbital Sander

GSS 14 A | 0 601 289 143

Table of Content

Spare parts list.....	2
Illustration - Type.....	4

Spare parts list

Item	Part Number	Description
1	2 605 108 047	Motor Housing BLUE
2	2 604 220 507	Field 230-240V
3	2 604 010 719	Armature 230-240V
3/50	2 606 610 055	Fan
4	2 607 200 215	On-Off Switch
5	1 604 460 224	Power supply cord CN 2,65m 2 x 1,0mm H05 RN-F
6	2 600 703 007	Grommet Ø7 MM
7	2 601 035 001	Cable Clip
9	2 601 118 592	Manufacturer's nameplate SUNNY SIDE
11	2 604 610 026	Compression Spring
13	1 900 905 044	groove ball bearing 7x19x6
14	1 900 905 048	groove ball bearing
16	2 604 449 027	Brush Holder
19	2 603 490 022	Screw 4x16
25	2 605 500 094	Housing Cover BLUE
27	2 600 034 000	Guide-Plate
28	2 600 034 001	Sheet metal cover
29	2 605 510 033	Protective Cap
30	2 604 448 104	Connecting Cable L=63 MM WHITE
31	2 604 448 105	Connecting Cable L=110MM WHITE
32	1 901 091 101	Socket-Terminal Strip 2-POLE
33	2 604 477 002	Blade terminal
35	2 603 100 049	Rubber Buffer
36	2 605 702 007	Fitting BLACK
37	2 606 610 056	Fan
38	1 603 101 018	Round Rubber Ø 11,3x23,5 MM
40	2 608 000 056	Sander Plate
41	2 601 923 005	Tensioning Lever
42	2 601 007 021	Clamping Strip
43	2 600 905 045	groove ball bearing 12x28x8
44	2 600 103 002	Plain Washer
45	2 601 005 013	Felt Strip
47	2 603 435 086	Tapping Screw
48	2 603 101 036	Straight Pin

Spare parts list

Item	Part Number	Description	
49	2 603 490 024	Torx Oval-Head Screw	4x25
50	2 910 871 122	Countersunk-Head Screw	DIN 965-M4x12-8.8
51	2 603 410 048	Thread-forming tap. Screw	M4x8
53	2 603 490 020	Torx Oval-Head Screw	4x8
54	2 604 651 006	Coiled Spring	
56	2 600 100 044	Plain Washer	
57	2 608 012 006	Counterweight	
61	2 600 005 010	Adhesive Tape	
62	2 600 100 094	Intermediate Ring	
65	2 600 108 013	Felt Washer	
66	2 600 108 012	Felt Washer	
67	2 600 101 025	Felt Washer	
68	2 600 005 006	Felt Washer	
252	2 604 448 159	Connecting Cable	
655	2 605 702 031	Fitting	
656	1 610 210 075	O-Ring	20,0x1,5 MM
680	2 603 126 012	Plug	
754	2 605 411 067	Dust Bag	3 PIECE
754	2 605 411 068	Dust Bag	10 PIECE
782	2 608 190 018	Punching Tool	
810	2 604 321 917	Carbon-Brush Set	
826	2 605 703 901	Bearing Flange	
839	2 608 000 915	Swing-Plate	
888	2 601 117 141	Marking Plate	CH

Illustration - Type - E

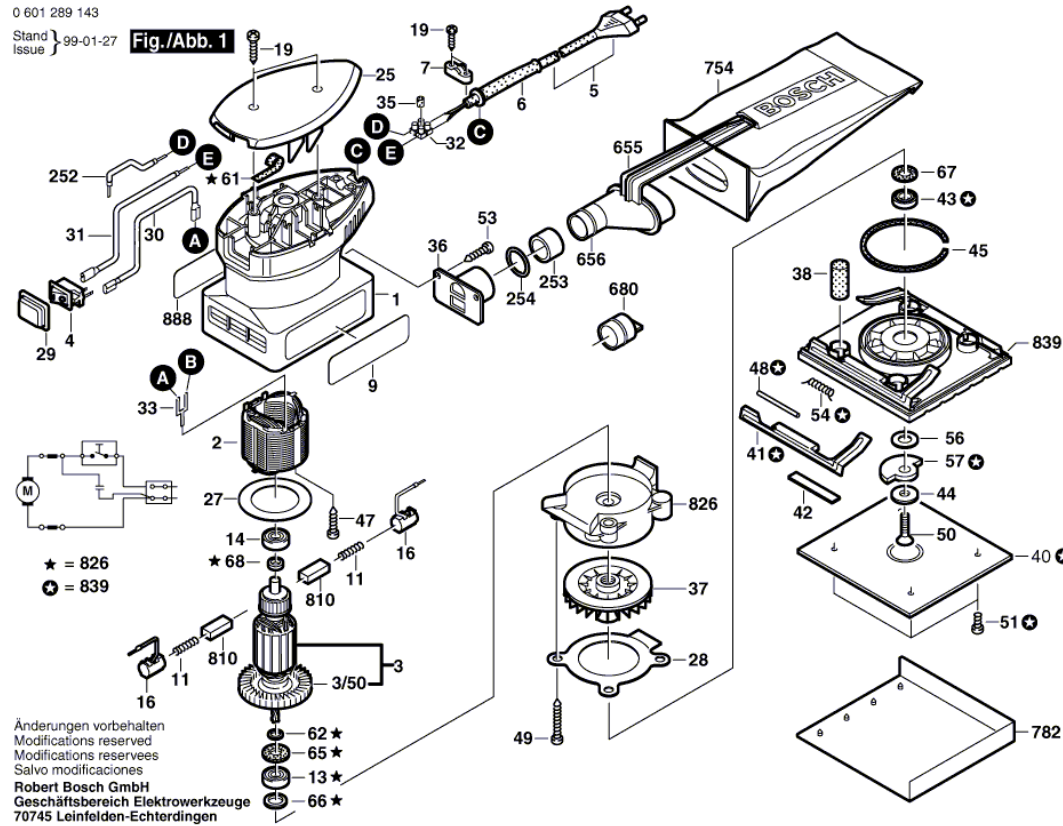
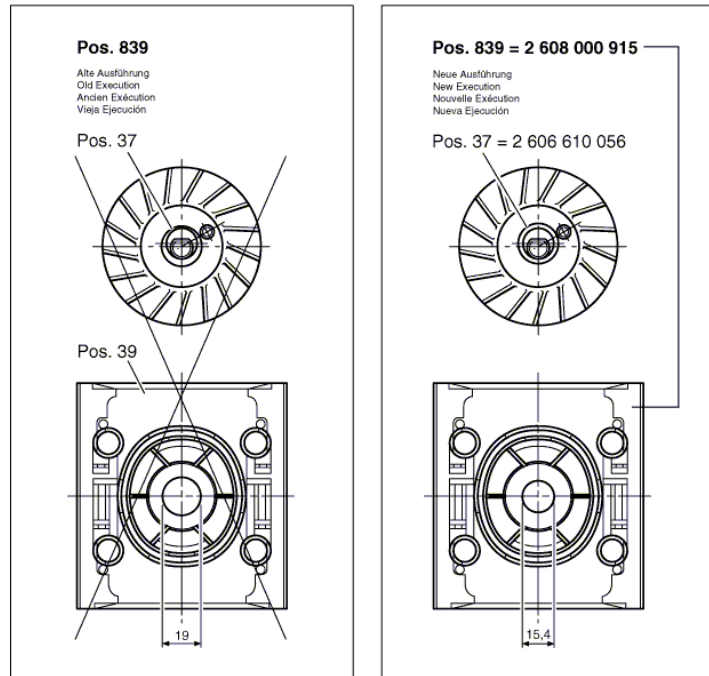


Illustration - Type - E

0 601 289 143

Stand } 99-01-27 Fig./Abb. 2
Issue }



Änderungen vorbehalten
Modifications reserved
Modifications reserves
Salvo modificaciones
Robert Bosch GmbH
Geschäftsbereich Elektrowerkzeuge
70745 Leinfelden-Echterdingen