



BOSCH

Cordless Screwdriver

GSR BitDrive | 3 601 JD3 080

Table of Content

Spare parts list.....	2
Illustration - Type.....	3

Cordless Screwdriver | GSR BitDrive | 3 601 JD3 080**Spare parts list**

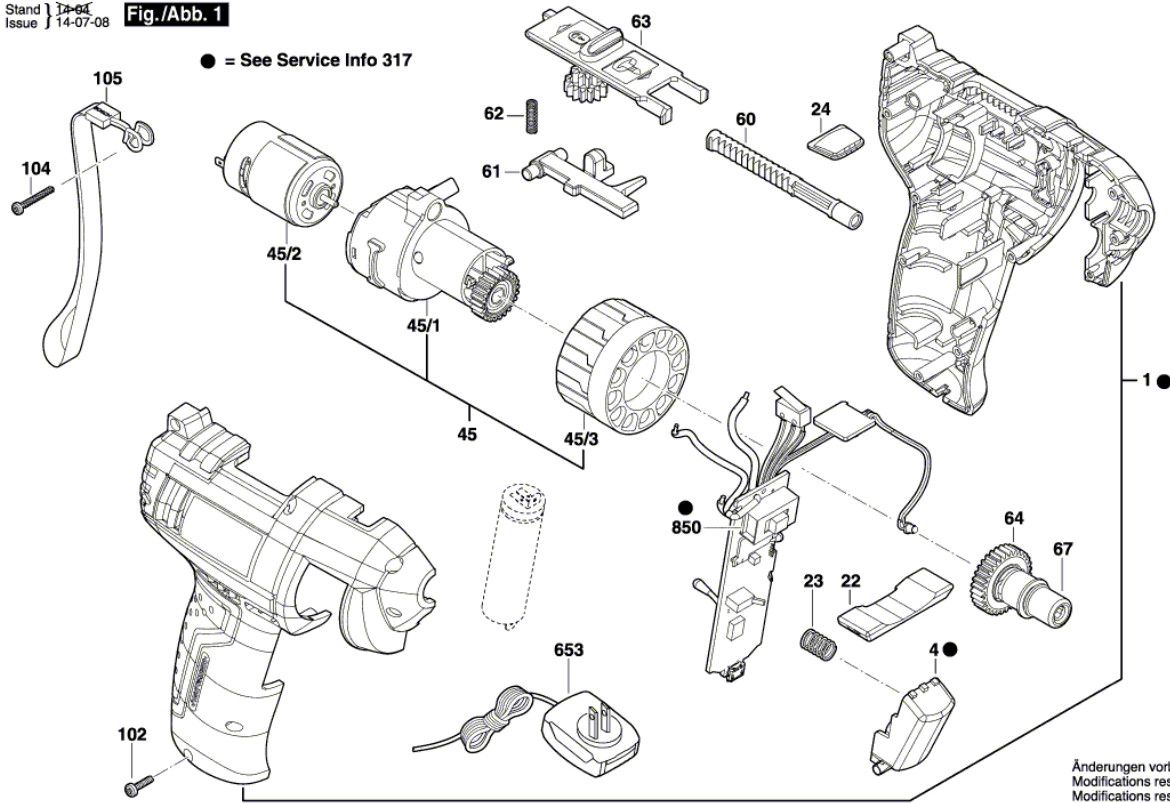
Item	Part Number	Description
1	1 619 X09 128	Housing
4	1 619 X09 129	Triggering Button
22	1 619 X07 971	Reverse-Transfer Lever
23	2 609 110 360	Compression Spring
24	1 619 X07 970	Lens
45	1 619 X07 561	Drive Assembly
45/1	2 609 005 396	Gear Box
45/2	1 607 022 604	DC motor 3,6V
45/3	1 619 X07 568	Screwdriver bit holder
60	1 619 X07 562	Push Rod
61	1 619 X07 563	Locking Lever
62	1 619 X07 564	Compression Spring
63	1 619 X08 647	Change-Over Switch
64	1 619 X07 566	Spindle Assembly
67	1 619 X07 582	Protective Cap
102	1 619 X02 572	Screw
104	1 619 X08 066	Screw
105	1 619 X07 982	Strap
653	2 609 120 420	Battery Charger EU 3,7V 3h
653	2 609 120 421	Battery Charger GB 230V 3,7V 3h
653	2 609 120 424	Battery Charger J 3,7V 3h
653	2 609 120 429	Battery Charger KR 3,7V 3h
653	2 609 120 495	Battery Charger CN 220V
850	1 619 X09 130	Electronic Module

Illustration - Type - E

3 601 JD3 080
 Stand } 17-04
 Issue } 14-07-08

Fig./Abb. 1

● = See Service Info 317



Änderungen vorbehalten
 Modifications reserved
 Modificaciones reservées
 Salvo modificaciones