

## Cordless Drill Driver - 3 601 JG0 110 - GSR18V-755...

www.powertools-aftersaleservice.com



**BOSCH**

Item	Part Number	Description	Illustration	Price	Quantity	Price Group
	1 1 600 A00 M51	Housing		1	-,-	1 29
	3 2 609 170 278	O-Ring		1	-,-	1 10
	4 1 607 233 5DC	Electronics Module		1	-,-	1 47
	4/3 1 607 503 377	Printed-Board Assembly		1	-,-	1 22
	5 2 609 101 551	Adjusting lever		1	-,-	1 10
	7 1 600 A00 RU9	Cover unit		1	-,-	1 14
	9 2 609 138 543	Manufacturer's nameplate		1	-,-	1 13
	16 1 607 503 333	Printed-Board Assembly		1	-,-	1 24
	17 1 600 A00 M53	Cover Panel		1	-,-	1 10
	25 2 609 112 024	Keyless Chuck		1	-,-	1 40
	45 1 600 A00 3BB	Gear Box		1	-,-	1 44
	46 1 609 280 477	Compression Spring		1	-,-	1 11
	47 2 609 101 490	Lens		1	-,-	1 11
	91 2 607 336 819	Battery Pack USA BAT620 18V 4,0Ah		2	-,-	1 51
	91/1/22 2 601 115 537	Sticker		2	-,-	1 13
	101 2 609 110 353	Torx Oval-Head Screw		1	-,-	13 10
	107 2 603 421 229	Countersunk-Head Screw M6x23		1	-,-	1 11
	181 2 609 134 293	Warning Label		1	-,-	1 13
	182 2 610 045 280	Warning Plate		1	-,-	1 13
	650 1 602 025 07X	Auxiliary Handle		2	-,-	1 29
	653 2 607 225 927	Charger USA BC 1880 CV 13,3-18V/120V		2	-,-	1 47
	655 2 609 199 748	Bit holder		1	-,-	1 12
	656/1 2 609 111 584	Clip		1	-,-	1 15
	656/2 2 609 110 834	Screw		1	-,-	1 11
	803 1 600 A00 XG0	Motor Spare Parts Set		1	-,-	1 44
	804 1 609 280 820	Contact retainer 18V		1	-,-	1 18
	808 1 601 11A 6BM	Nameplate GSR 18V-755C		1	-,-	1 13
	857 2 609 101 554	Switch Slide		1	-,-	1 12
	858 2 609 112 036	Switch Spring		1	-,-	1 10

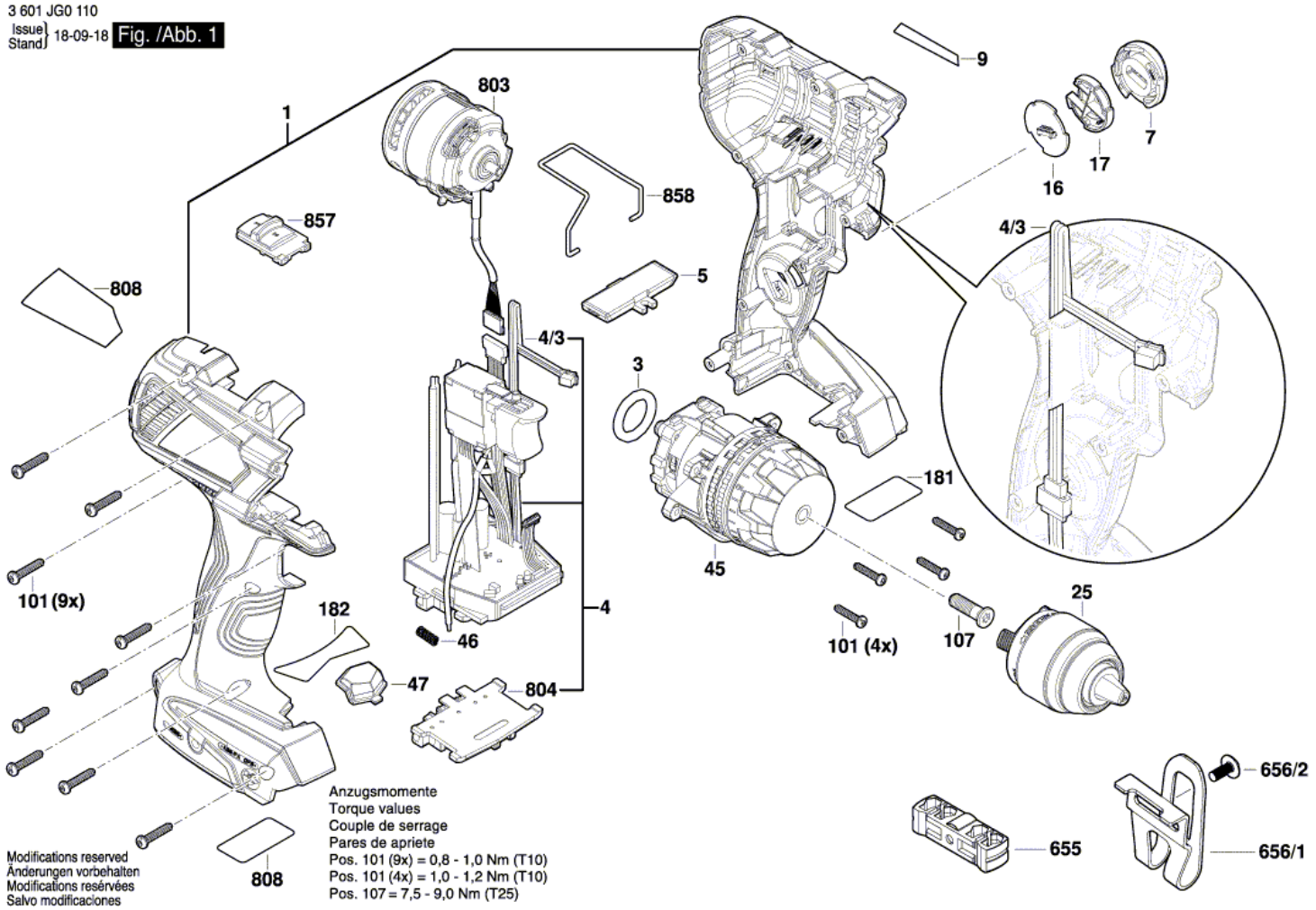
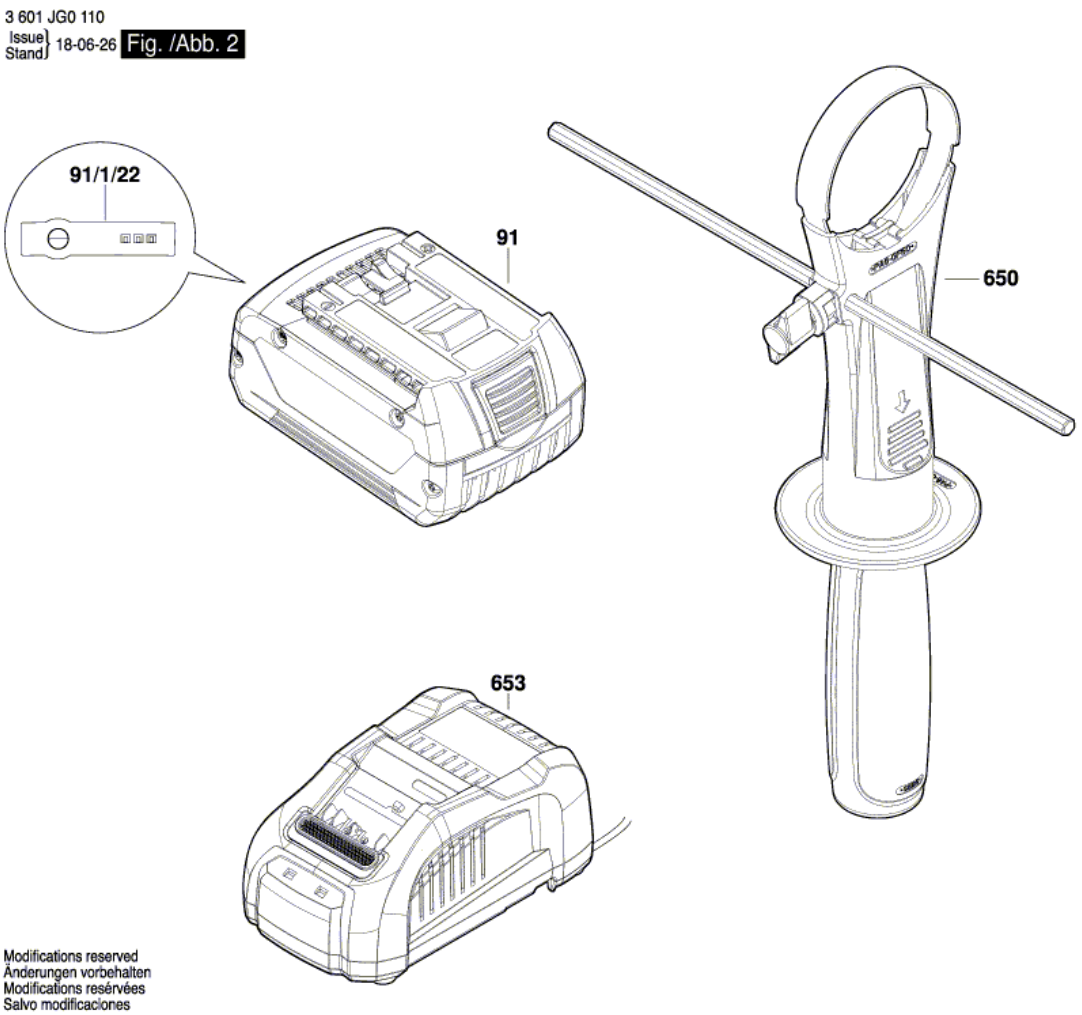


Illustration - Type E



Information subject to change without further notice.