



**BOSCH**

# Cordless Drill Driver

GSR 18V-60 FC | 3 601 JG7 1L0

---

## Table of Content

Spare parts list.....	2
Illustration - Type.....	3

# Cordless Drill Driver | GSR 18V-60 FC | 3 601 JG7 1L0

## Spare parts list

Item	Part Number	Description
1	1 600 A00 H64	Housing
2	1 619 P13 836	Stator
4	1 607 233 5FR	Electronics Module
4/3	1 607 503 369	Printed-Board Assembly
4/9	1 600 712 03J	Shrinkable Tube
5	2 609 101 484	Adjusting lever
7	1 600 A00 RU8	Cover unit
9	1 601 11A 5D1	Manufacturer's nameplate
16	1 607 503 333	Printed-Board Assembly
17	1 600 A00 M53	Cover Panel
32	2 609 199 812	Switchover Unit
45	1 600 A00 J5S	Gear Box
46	1 609 280 477	Compression Spring
47	2 609 101 490	Lens
91	1 607 A35 0MA	Battery Pack      GBA 18V 2.0Ah
91/1/22	2 601 115 537	Sticker
101	2 609 110 353	Torx Oval-Head Screw
657/1	2 609 111 584	Clip
657/2	2 609 110 834	Screw
803	2 609 199 894	DC motor      18V
804	1 609 280 820	Contact retainer      18V
808	1 601 11A 5MY	Type Label
651	1 600 A00 ZS9	Chuck attachment
652	2 609 199 636	Eccentric attachment
655	1 600 A00 RR2	Right-angle attachment
656	2 609 199 816	Attachment
854	1 602 025 08X	Auxiliary Handle
854/120	1 602 025 07H	Auxiliary Handle
854/124	1 611 316 021	Clamping Band      Ø50 MM
854/125	1 613 490 002	T-Head Bolt      M8x40 MM
854/802	1 617 000 475	Support clamp

Illustration - Type - E

3 601 JG7 100  
 Stand | 19-11  
 Issue | 20-05-25

Fig./Abb. 1

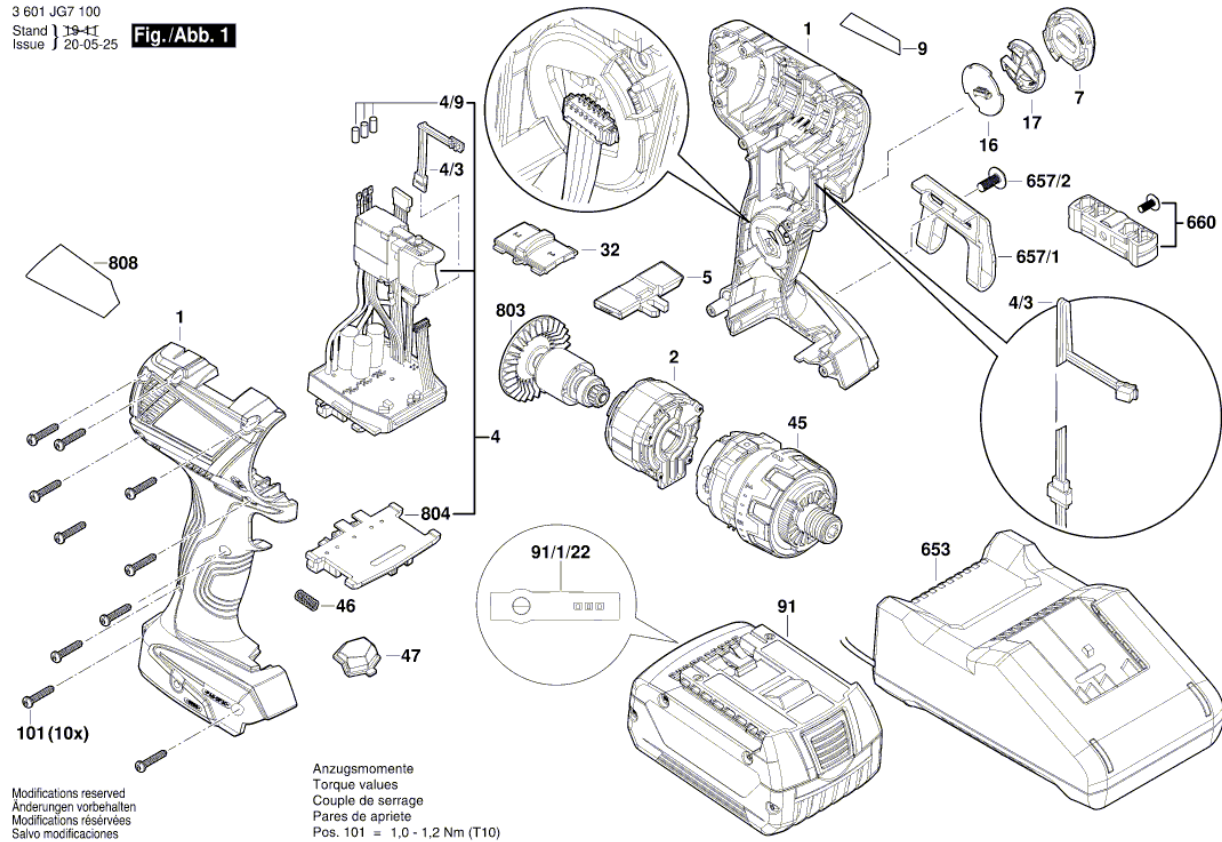
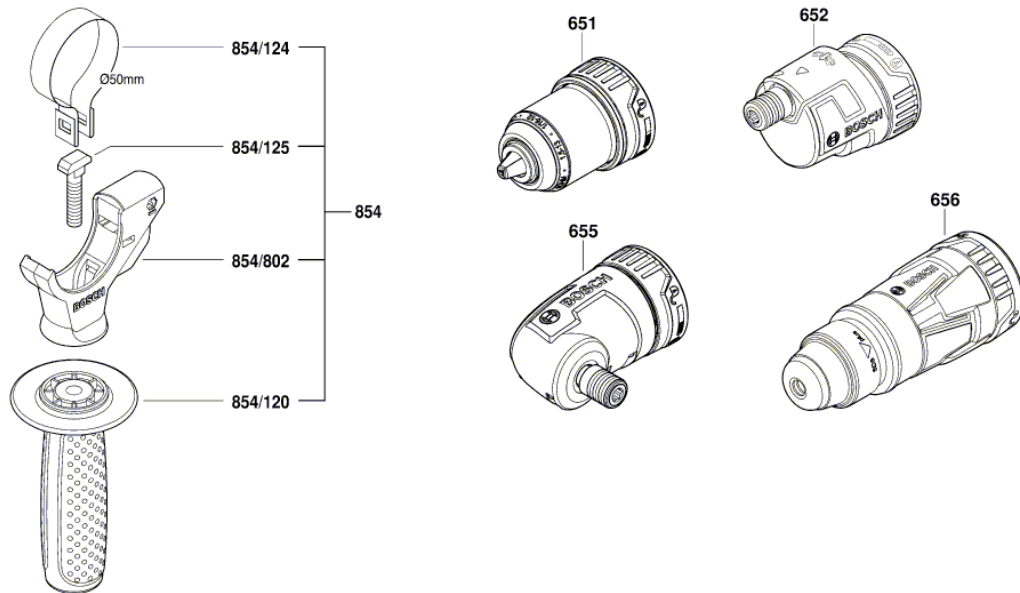


Illustration - Type - E

3 601 JG7 100  
Stand } 18-01-09  
Issue } 18-01-15 **Fig./Abb. 2**



Änderungen vorbehalten  
Modifications reserved  
Modificaciones reservadas  
Salvo modificaciones