



BOSCH

Cordless Drill Driver

GSR18V-1330C | 3 601 JJ5 010

Table of Content

Spare parts list.....	2
Illustration - Type.....	3

Spare parts list

Item	Part Number	Description		Illustration
1	1 600 A01 RC8	Housing		1
3	2 607 202 501	Switch		1
4	1 607 233 5G8	Electronic Module		1
5	1 600 A01 RH7	Changeover Lever		1
7	1 600 A01 TN9	Cover unit		1
9	1 601 11C 47Y	Manufacturer's nameplate		1
16	1 600 A01 6CZ	Electronics Module		1
17	1 600 A02 KY7	Cover Panel		1
18	1 600 A01 4J4	Warning Label		1
25	1 600 A02 HZ9	Keyless Chuck		1
32	1 600 A01 C95	Switchover Unit		1
45	1 600 A01 006	Gear Box		1
46	1 609 280 477	Compression Spring		1
47	1 607 233 5LS	Electronic Module		1
48	1 607 233 5LY	Electronic Module		1
101	2 609 110 353	Torx Oval-Head Screw		1
107	2 603 421 229	Countersunk-Head Screw LEFTHAND THREADS	M6x23	1
657/1	2 609 111 584	Clip		1
657/2	2 609 110 834	Screw		1
658	2 609 199 748	Bit holder		1
802	1 600 A02 4CL	Brushless DC motor		1
804	1 600 A02 3LU	Contact retainer		1
808	1 601 11A 8NG	Nameplate		1
91	1 607 A35 0CH	Battery Pack SCM	GBA18V80 8.0Ah ProCore	2
91	1 607 A35 0CM	Battery Pack	USA GBA18V120	2
653	2 607 225 927	Charger	USA BC 1880 CV 13,3-18V/120V	2
653	2 607 226 325	Fast Charger	USA GAL 18V-160 C 120V	2
662	1 602 025 07Y	Auxiliary Handle		2

Illustration - Type - E

3 601 JJ5 010

Stand } 21-04-01
Issue } 21-05-14

Fig./Abb. 1

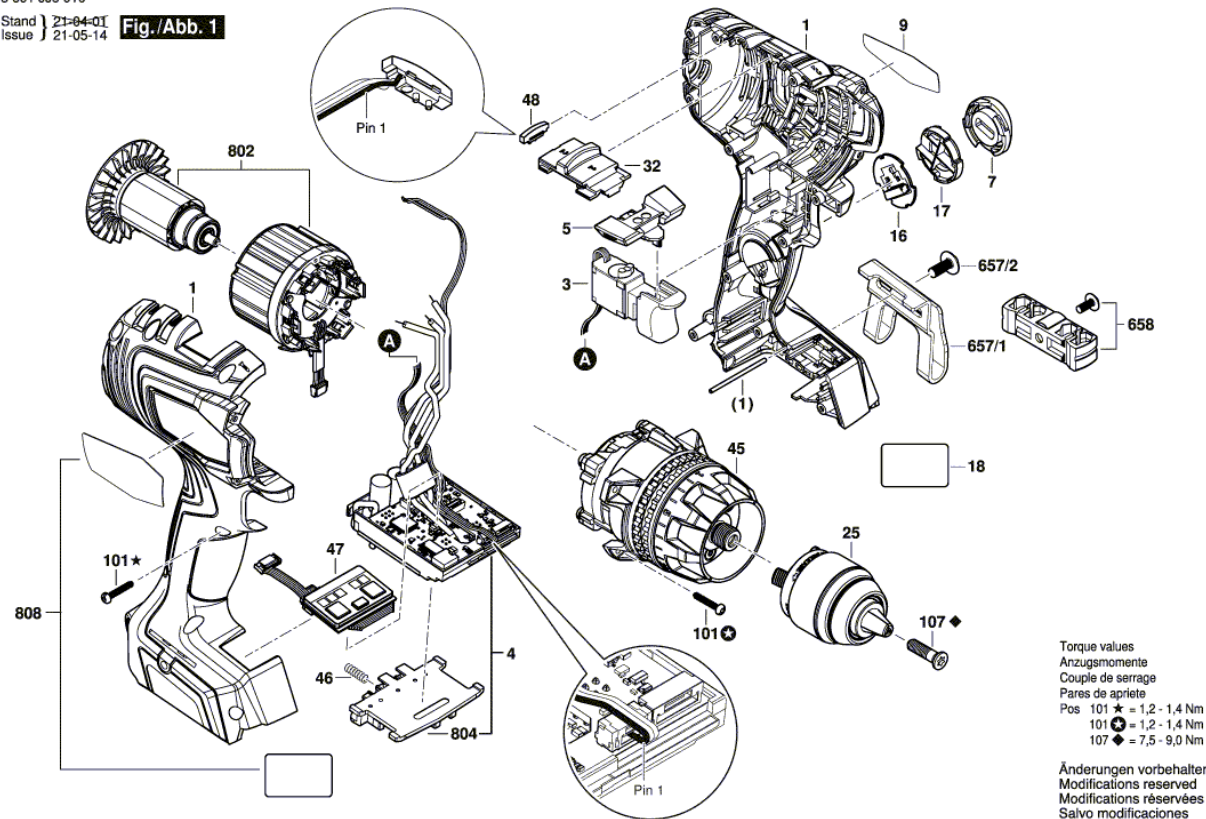
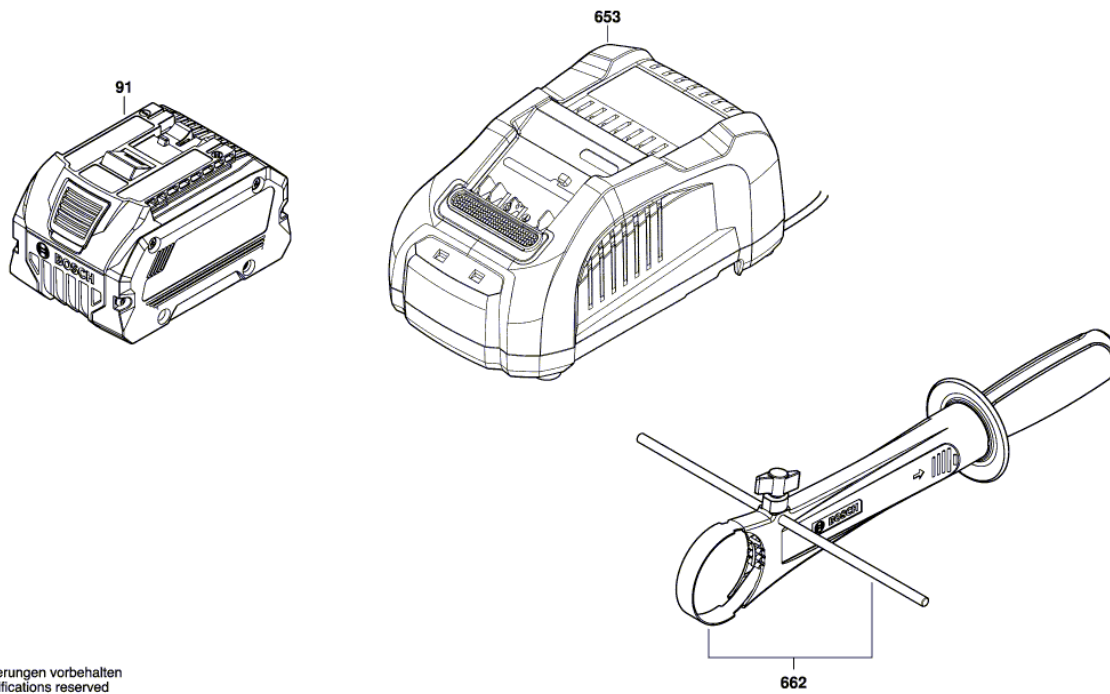


Illustration - Type - E

3 601 JJ5 010
Stand } 21-04-01 **Fig./Abb. 2**
Issue }



Änderungen vorbehalten
Modifications reserved
Modifications réservées
Salvo modificaciones