



**BOSCH**

# Cordless Drill Driver

GSR 18 V | 3 601 J95 380

---

## Table of Content

Spare parts list.....	2
Illustration - Type.....	3

## Spare parts list

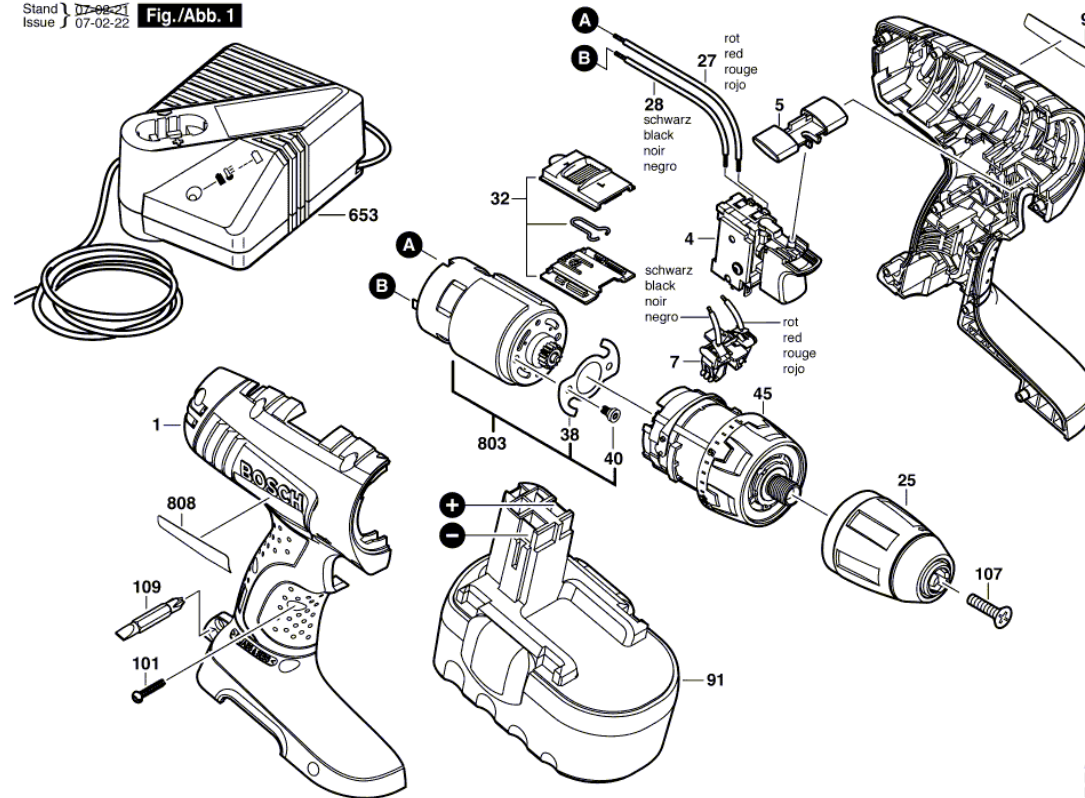
Item	Part Number	Description	
1	2 609 100 503	Housing	
4	2 607 202 015	Switch	
5	2 609 100 504	Reverse-Transfer Lever	
7	2 609 199 125	Contact retainer	RED
9	2 609 131 286	Manufacturer's nameplate	GSR 18V
25	1 600 A00 XH5	Keyless Chuck	
27	2 609 120 264	Connecting Cable	RED
28	2 609 120 263	Connecting Cable	BLACK
32	2 609 199 119	Slide Switch	
38	2 609 110 633	Tab Washer	
40	2 609 110 634	Screw	
45	2 609 199 343	Planetary Gear Train	
91	2 607 335 687	Slide-In Accu Package	18V, 2,6Ah, NiMH, HD
101	2 609 110 201	Torx Flat-Head Screw	3x16
107	2 609 110 635	Pan head screw	M 6x30
109	2 609 160 063	Screwdriver Bit	
653	2 607 225 495	Fast Charger	CN 220/7,2-24V, 1h
803	2 609 199 128	DC motor	18V
808	2 609 131 942	Type Label	

Illustration - Type - E

3 601 J95 300

Stand | 07-08-21  
Issue | 07-02-22

Fig./Abb. 1



Änderungen vorbehalten  
Modifications reserved  
Modifications reserves  
Salvo modificaciones