

Batt-Oper Screwdriver - 0 601 936 4A5 - GSR 14,4 V...

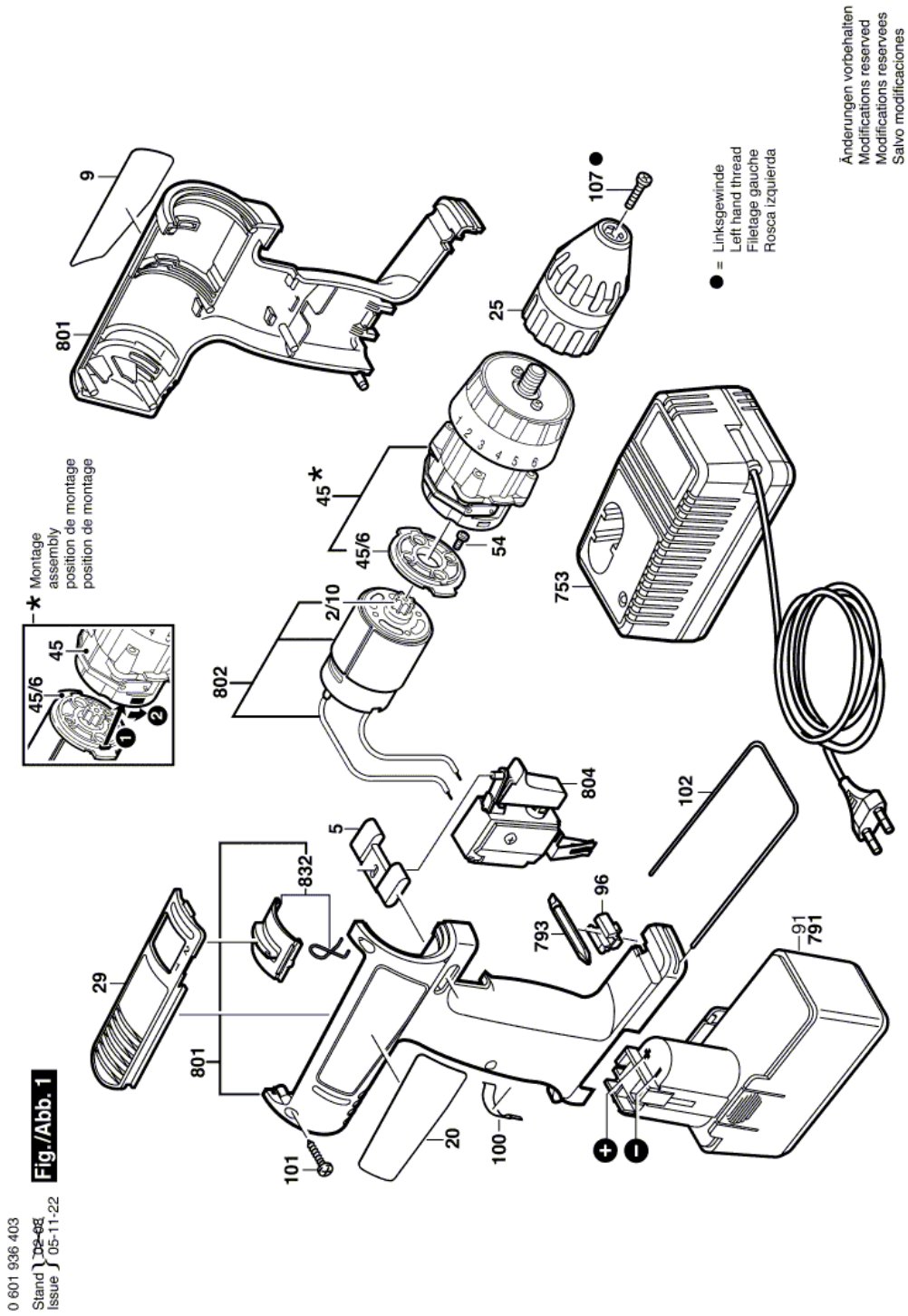
www.powertools-aftersaleservice.com



BOSCH

Item	Part Number	Description	Illustration	Price	Quantity	Price Group
2/10	2 610 967 116	Pinion Z=12	1	-,-	1	15
5	2 601 099 055	Adjusting Slide RED	1	-,-	1	15
9	2 601 119 580	Manufacturer's nameplate SUNNY SIDE	1	-,-	1	15
20	2 601 119 581	Reference Plate SHADOW SIDE	1	-,-	1	15
25	2 608 572 096	Keyless Chuck Ø 2-13 MM, 3/8"	1	-,-	1	41
29	2 605 510 130	Insert Piece BLACK	1	-,-	1	15
45	2 606 200 065	Planetary Gear Train	1	-,-	1	39
45/6	2 605 719 008	Intermediate Flange	1	-,-	1	15
54	2 603 414 049	Torx SH cap screw M4x8-4,8-Z	1	-,-	2	11
96	2 608 040 131	Support	1	-,-	1	12
100	2 601 322 016	Clamp Spring	1	-,-	1	14
101	2 603 490 018	Torx Oval-Head Screw 3x18	1	-,-	8	10
102	2 601 329 041	Retaining Bracket	1	-,-	1	13
107	2 609 110 721	Countersunk-Head Screw M5x20	1	-,-	1	11
753	2 607 224 431	Fast Charger USA 120/7,2-24V, 1h	1	-,-	1	48
753	2 607 224 708	Fast Charger USA 120/7,2-14,4V, 30 MIN.	1	-,-	1	-
791	2 607 335 209	Accumulator Battery 14,4V,2,0Ah,NiCd	1	-,-	1	51
793	2 608 521 018	Screwdriver Blade	1	-,-	1	18
801	2 605 104 826	Housing Section BLUE	1	-,-	1	26
802	2 607 022 961	DC motor 14,4V	1	-,-	1	39
804	2 607 200 353	On-Off Switch	1	-,-	1	39
832	2 601 099 126	Adjusting Slide	1	-,-	1	23
899	0 601 936 420	Batt-Oper Screwdriver BATTERY WITHOUT CHARGER	N/A	-,-	1	-

Illustration - Type E



Information subject to change without further notice.