

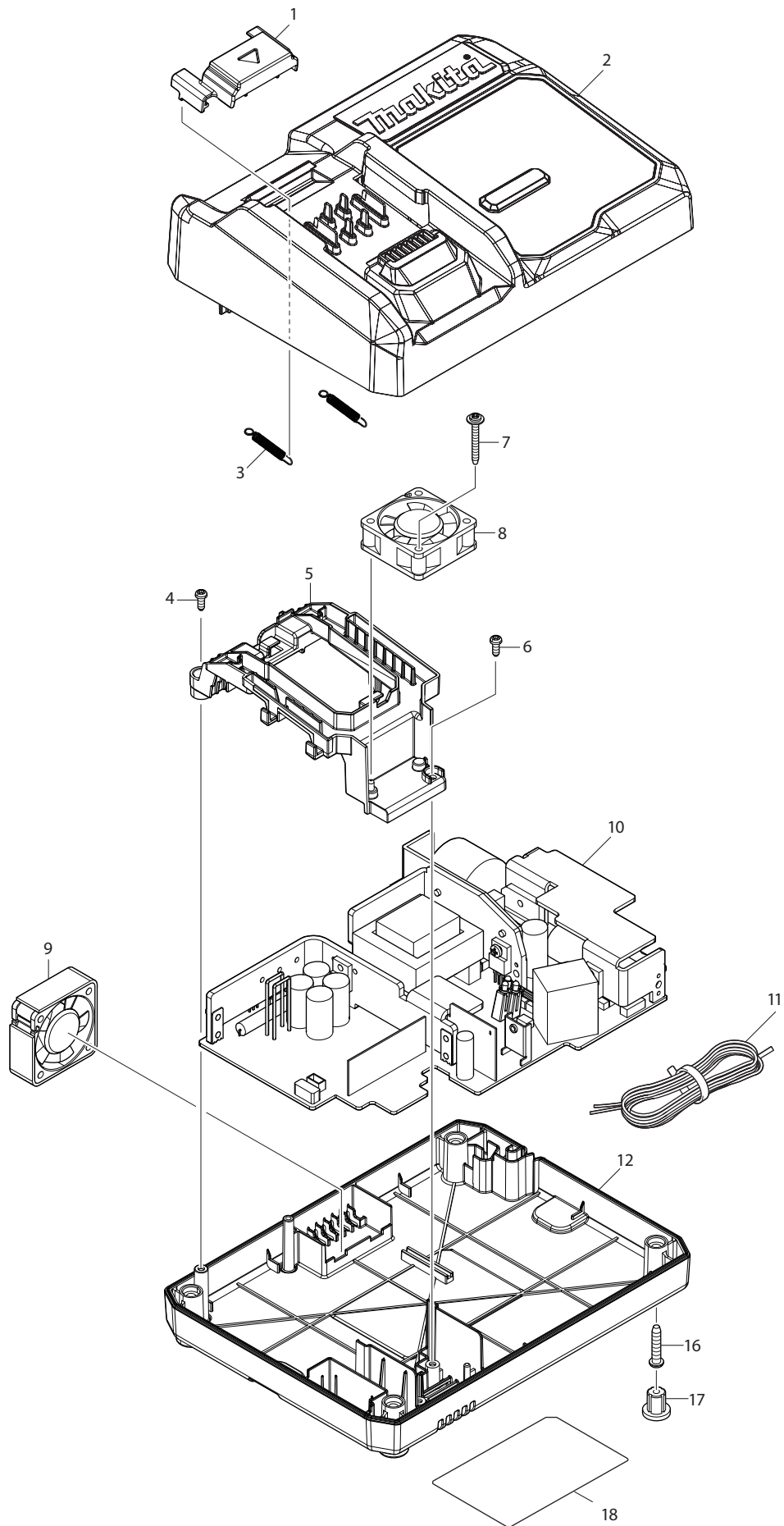
Model GSR01Z Parts Lst

A = Standard Equipment

O = Circuit Diagram

Item#	Part#	Description	Q'ty Unit
001	266400-6	HEX. SOCKET HEX. BOLT M8X20	1 PC.
002	224409-4	OUTER FLANGE 35	1 PC.
003	224594-3	INNER FLANGE 35	1 PC.
004	257423-5	RETAINING RING(EXT) WR-42	1 PC.
005	253393-6	FLAT WASHER 42	1 PC.
006	911128-8	P.H.SCREW M4X16 WITH WR	1 PC.
007	271435-4	LEVER 48	1 PC.
008	312A89-5	SAFETY COVER	1 PC.
009	232371-9	TENSION SPRING 5	1 PC.
010	457434-2	SPACER	1 PC.
011	285809-3	BEARING RETAINER 23-36	1 PC.
012	326941-5	SPINDLE	1 PC.
013	211251-2	BALL BEARING 6003LLB	1 PC.
014	257024-9	RING 17	1 PC.
015	265034-2	+ COUNTERSUNK HEAD SCREW M5X16	2 PC.
016	319544-2	BEARING BOX	1 PC.
017	251572-0	+ COUNTERSUNK HEAD SCREW M6X30	1 PC.
018	262185-2	RUBBER SLEEVE8	1 PC.
019	213565-5	O RING 42	1 PC.
020	221542-3	HELICAL GEAR 37	1 PC.
021	961057-5	RETAINING RING S-17	1 PC.
022	211031-6	BALL BEARING 608ZZ	1 PC.
023	141A11-3	BLADE CASE COMPLETE	1 PC.
	C10 213434-0	O RING 26	1 PC.
024	347168-4	SHAFT LOCK	1 PC.
025	286039-9	CAP	1 PC.
026	251529-1	+ PAN HEAD SCREW M4X14	1 PC.
027	232381-6	COMPRESSION SPRING 6	1 PC.
028	210059-1	BALL BEARING 6000DDW	1 PC.
029	519435-9	ROTOR ASS'Y	1 PC.
	D10	INC. 28,30	
030	210022-4	BALL BEARING 626DDW	1 PC.
031	911566-4	P.H.SCREW M4X40 WITH WRM	2 PC.
032	457430-0	BAFFLE PLATE	1 PC.
033	629A45-1	STATOR	1 PC.
034	141A12-1	MOTOR HOUSING COMPLETE	1 PC.
	C10 263002-9	RUBBER PIN 4	1 PC.
035	911258-5	PAN HEAD SCREW M5X35	3 PC.
036	457963-5	DIAL 22	1 PC.
037	961017-7	STOP RING E-3	1 PC.
038	257953-6	BOW STOP RING E-12	1 PC.
039	271468-9	LEVER 56	1 PC.
040	252240-8	HEX. CAP NUT M8-13	1 PC.
041	941201-0	FLAT WASHER 8	1 PC.
042	266229-0	H.S.SET SCREW(CUP POINT)M5X8	1 PC.
043	266229-0	H.S.SET SCREW(CUP POINT)M5X8	1 PC.
044	312A90-0	BASE	1 PC.
045	266229-0	H.S.SET SCREW(CUP POINT)M5X8	1 PC.
046	327760-2	STOPPER PIN	1 PC.

047	251221-9	+ PAN HEAD SCREW M6	1 PC.
048	347169-2	ANGULAR GUIDE	1 PC.
049	256511-5	SHOULDER PIN 6-7	1 PC.
050	252014-7	HEX. LOCK NUT M6-10	1 PC.
051	251537-2	FLATHEADSQUARE NECKBOLT M8X28	1 PC.
052	257953-6	BOW STOP RING E-12	1 PC.
053	271433-8	LEVER 59	1 PC.
054	252240-8	HEX. CAP NUT M8-13	1 PC.
055	256511-5	SHOULDER PIN 6-7	1 PC.
056	941201-0	FLAT WASHER 8	1 PC.
057	161604-4	DEPTH GUIDE	1 PC.
058	941201-0	FLAT WASHER 8	1 PC.
059	251538-0	HEX. BOLT M8X24	1 PC.
060	183S82-2	HANDLE SET	1 SET
	C10 263005-3	RUBBER PIN 6	1 PC.
	C20 8028B5-6	CAUTION LABEL	1 PC.
	C30 8028B6-4	CAUTION LABEL	1 PC.
	D10	INC. 74	
061	922343-9	H.S.H.BOLT M6X25 WITH WR	4 PC.
062	413348-5	GRIP	1 PC.
063	911228-4	PAN HEAD SCREW M5X18	3 PC.
065	127771-5	HOOK ASSEMBLY	1 PC.
066	620F00-6	CONTROLLER	1 PC.
067	632P65-6	TERMINAL UNIT	1 PC.
068	183S18-1	TERMINAL BOX SET	1 SET
	C10 263005-3	RUBBER PIN 6	2 PC.
069	231433-0	COMPRESSION SPRING 4	1 PC.
070	457432-6	SWITCH LEVER	1 PC.
071	651083-9	SWITCH C3XA-1PSPM	1 PC.
072	457431-8	LOCK OFF BUTTON	1 PC.
073	231433-0	COMPRESSION SPRING 4	1 PC.
074	183S82-2	HANDLE SET	1 SET
	C10 263005-3	RUBBER PIN 6	1 PC.
	C20 8028B5-6	CAUTION LABEL	1 PC.
	C30 8028B6-4	CAUTION LABEL	1 PC.
	D10	INC. 60	
075	266326-2	TAPPING SCREW 4X18	9 PC.
076	911228-4	PAN HEAD SCREW M5X18	2 PC.
077	347805-0	LOCK PLATE	1 PC.
078	266326-2	TAPPING SCREW 4X18	1 PC.
079	266326-2	TAPPING SCREW 4X18	4 PC.
080	266326-2	TAPPING SCREW 4X18	2 PC.
081	286042-0	CAP 31	1 PC.
082	811C91-2	GSR01 NAME PLATE	1 PC.
083	811C98-8	GSR01 SERIAL NO. LABEL	1 PC.
084	8005T5-8	XGT LOGO LABEL	1 PC.
A01	B-61656	TCT BLADE185X24T WOOD	1 PC.
A02	782016-4	OFFSET WRENCH 13	1 PC.



Model DC40RA Parts List

A = Standard Equipment

O = Circuit Diagram

Item#	Part#	Description	Q'ty	Unit
001	459475-4	TERMINAL COVER	1	PC.
002	140N46-9	CHARGER CASE COMPLETE	1	PC.
	C10 459476-2	LENS	1	PC.
	C20 819V01-7	CHARGING CONDITION LABEL	1	PC.
003	232565-6	TENSION SPRING 4	2	PC.
004	265B02-7	TAPPING SCREW 3X8	1	PC.
005	459474-6	TERMINAL BASE	1	PC.
006	265B02-7	TAPPING SCREW 3X8	1	PC.
007	265A61-5	TAPPING SCREW FLANGE 3X25	1	PC.
008	632P24-0	FAN 40	1	PC.
009	632P25-8	FAN 40	1	PC.
010	620B41-8	CHARGING CIRCUIT	1	PC.
010	C11 647075-4	VARISTOR	1	PC.
	C20 652089-0	FUSE	1	PC.
011	667982-5	VINYL CORD #18-2-2.0	1	PC.
012	459846-5	CHARGER CASE COVER	1	PC.
016	265B01-9	TAPPING SCREW PT 4X20	4	PC.
017	286255-3	CAP 13	4	PC.
018	857F48-7	DC40RA NAME PLATE	1	PC.
E01	819V02-5	CAUTION LABEL	1	PC.