

Batt-Oper Screwdriver - 0 601 936 754 - GSR 7,2 VE...

www.powertools-aftersaleservice.com



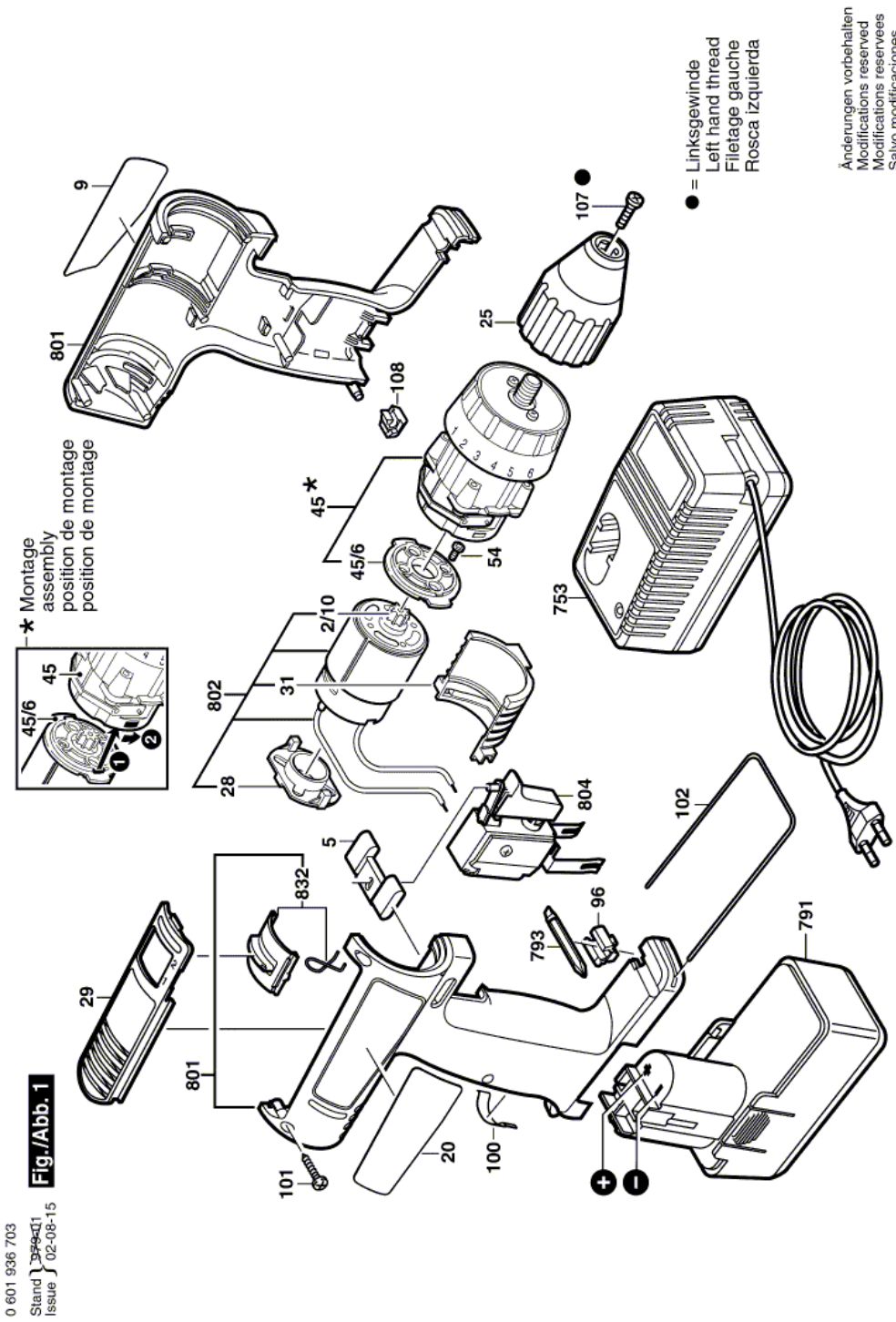
BOSCH

| Item | Part Number | Description | Illustration | Price | Quantity | Price Group |
|------|---------------|---|--------------|-------|----------|-------------|
| 2/10 | 2 606 316 161 | Pinion Z=12 | 1 | -,- | 1 | 15 |
| 5 | 2 601 099 055 | Adjusting Slide RED | 1 | -,- | 1 | 15 |
| 9 | 2 601 118 479 | Manufacturer's nameplate SUNNY SIDE | 1 | -,- | 1 | 14 |
| 20 | 2 601 118 480 | Reference Plate SHADOW SIDE | 1 | -,- | 1 | 14 |
| 25 | 2 608 572 214 | Keyless Chuck | 1 | -,- | 1 | 38 |
| 28 | 2 605 719 018 | Adapter Insert BLACK | 1 | -,- | 1 | 11 |
| 29 | 2 605 510 130 | Insert Piece BLACK | 1 | -,- | 1 | 15 |
| 31 | 2 608 040 098 | Inserted Part | 1 | -,- | 1 | 13 |
| 45 | 2 606 200 065 | Planetary Gear Train | 1 | -,- | 1 | 39 |
| 45/6 | 2 605 719 008 | Intermediate Flange | 1 | -,- | 1 | 15 |
| 54 | 2 603 414 048 | Torx SH cap screw M3x5-8.8-Z | 1 | -,- | 2 | 11 |
| 96 | 2 608 040 131 | Support | 1 | -,- | 1 | 12 |
| 100 | 2 601 322 016 | Clamp Spring | 1 | -,- | 1 | 14 |
| 101 | 2 603 490 018 | Torx Oval-Head Screw 3x18 | 1 | -,- | 6 | 10 |
| 102 | 2 601 329 041 | Retaining Bracket | 1 | -,- | 1 | 11 |
| 107 | 2 609 110 721 | Countersunk-Head Screw M5x20 | 1 | -,- | 1 | 11 |
| 108 | 2 602 180 001 | Support | 1 | -,- | 1 | 11 |
| 753 | 2 607 224 431 | Fast Charger USA 120/7,2-24V, 1h | 1 | -,- | 1 | 48 |
| 753 | 2 607 224 708 | Fast Charger USA 120/7,2-14,4V, 30 MIN. | 1 | -,- | 1 | - |
| 793 | 2 608 521 018 | Screwdriver Blade | 1 | -,- | 1 | 18 |
| 801 | 2 605 104 824 | Housing Section BLUE | 1 | -,- | 1 | 26 |
| 802 | 2 607 022 945 | DC motor 7,2V | 1 | -,- | 1 | 32 |
| 804 | 2 607 200 351 | On-Off Switch | 1 | -,- | 1 | 36 |
| 832 | 2 601 099 126 | Adjusting Slide | 1 | -,- | 1 | 23 |
| 899 | 0 601 936 723 | Batt-Oper Screwdriver BATTERY WITHOUT CHARGER | N/A | -,- | 1 | - |

Product information Batt-Oper Screwdriver - 0 601 936 754 - GSR 7,2 VES-2

| | |
|---------------------|--------------------------------|
| Product No | 0 601 936 754 |
| Description | 254.053; Batt-Oper Screwdriver |
| DIN-Text | |
| ID_Text_Ext | 0 |
| Trading_Description | GSR 7,2 VES-2 |
| Voltage_1 | 7,2 V |
| ID_Country_Product | USA |

Illustration - Type E



Information subject to change without further notice.