

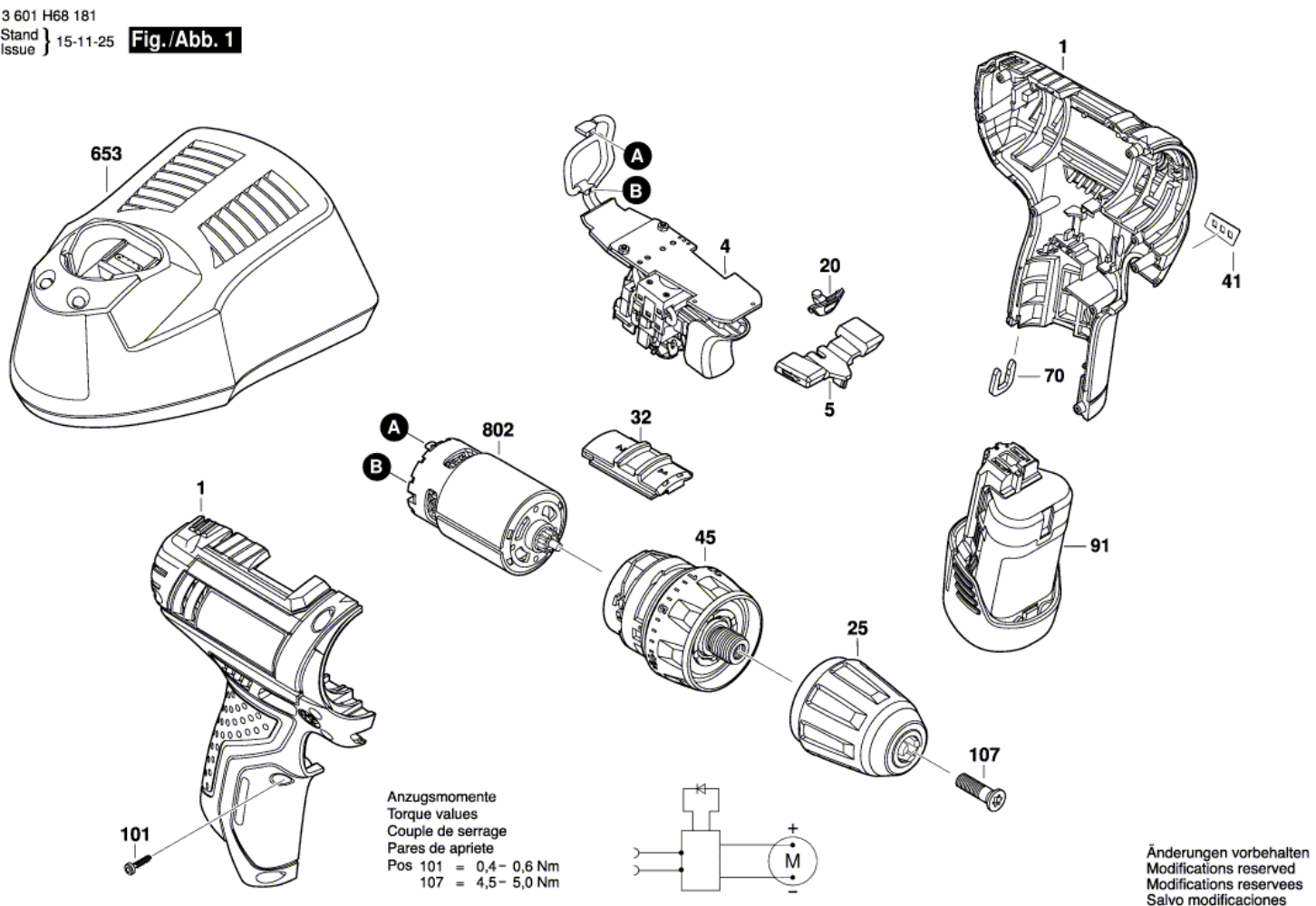
## Cordless Drill Driver - 3 601 H68 181 - GSR 12-2-L...

[www.powertools-aftersaleservice.com](http://www.powertools-aftersaleservice.com)



**BOSCH**

Item	Part Number	Description	Illustration	Price	Quantity	Price Group
1	2 609 100 824	Housing BLUE	1	-,-	1	29
4	1 607 233 541	Electronics Module	1	-,-	1	38
5	2 609 100 825	Changeover Lever	1	-,-	1	10
20	2 609 100 826	Lens	1	-,-	1	10
25	2 609 110 967	Keyless Chuck	1	-,-	1	32
32	2 609 199 279	Switchover Unit	1	-,-	1	10
41	2 609 132 378	Sticker	1	-,-	1	13
45	2 609 199 786	Gear Box	1	-,-	1	36
70	2 609 110 537	Clip	1	-,-	1	11
91	1 607 A35 0C5	Battery Pack GBA 12V 2.0Ah Li SCM	1	-,-	1	40
101	2 609 110 883	Screw	1	-,-	8	10
107	2 603 421 229	Countersunk-Head Screw M6x23	1	-,-	1	11
653	2 607 226 095	Fast Charger CN GAL 1230 CV 220/12V	1	-,-	1	40
802	2 609 199 258	DC motor 10,8V - 12V	1	-,-	1	29



Information subject to change without further notice.