

Cordless Drill Driver - 3 601 H68 101 - GSR 12-2-L...

www.powertools-aftersaleservice.com

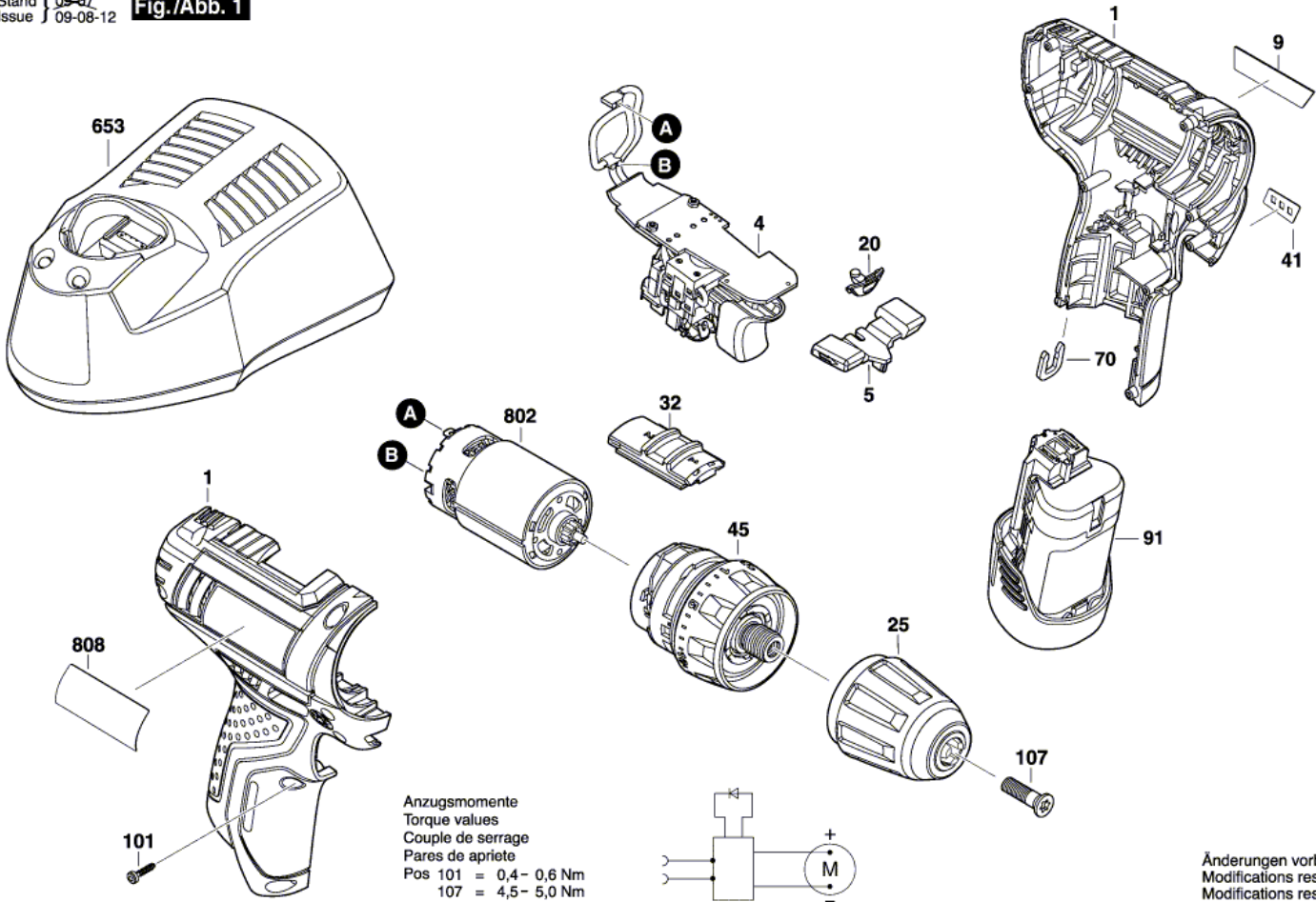


BOSCH

Item	Part Number	Description	Illustration	Price	Quantity	Price Group
1	2 609 100 824	Housing BLUE	1	-,-	1	29
4	1 607 233 5DK	Electronics Module	1	-,-	1	34
5	2 609 100 825	Changeover Lever	1	-,-	1	10
9	F 000 621 07D	Manufacturer's nameplate GSR 12-2-LI	1	-,-	1	13
20	2 609 100 826	Lens	1	-,-	1	10
25	2 609 110 967	Keyless Chuck	1	-,-	1	32
32	2 609 199 279	Switchover Unit	1	-,-	1	10
41	2 609 132 378	Sticker	1	-,-	1	13
45	2 609 199 786	Gear Box	1	-,-	1	36
70	2 609 110 537	Clip	1	-,-	1	11
91	2 607 336 879	Battery Pack 10,8V, 2,0Ah, LI	1	-,-	1	40
91	1 607 A35 0C8	Battery Pack BAT 414 10,8/12V 2,0Ah	1	-,-	1	41
91	2 607 337 237	Battery Pack BAT 415 10,8V/12V 2,5AH	1	-,-	1	45
101	2 609 110 883	Screw	1	-,-	8	10
107	2 603 421 229	Countersunk-Head Screw M6x23	1	-,-	1	11
653	2 607 225 141	Fast Charger SAM 115/10,8V, 30 MIN.	1	-,-	1	40
653	2 607 225 711	Fast Charger ARG 220/10,8V	1	-,-	1	40
653	2 607 225 179	Fast Charger BR 220/10,8V	1	-,-	1	40
802	2 609 199 258	DC motor 10,8V - 12V	1	-,-	1	29
808	1 601 11A 6J2	Nameplate	1	-,-	1	-

3 601 H68 100
 Stand } 09-07
 Issue } 09-08-12

Fig./Abb. 1



Anzugsmomente
 Torque values
 Couple de serrage
 Pares de apriete
 Pos 101 = 0,4 - 0,6 Nm
 107 = 4,5 - 5,0 Nm

Änderungen vorbehalten
 Modifications reserved
 Modifications reserves
 Salvo modificaciones

Information subject to change without further notice.