



BOSCH

Demolition Hammer

GSH 500 | 3 611 C38 680

Table of Content

Spare parts list.....	2
Illustration - Type.....	5

Demolition Hammer | GSH 500 | 3 611 C38 680

Spare parts list

Item	Part Number	Description	
1	1 619 P10 301	Motor Housing	
2	1 619 P14 458	Field	
4	1 619 P08 754	Switch	
5	1 614 460 075	Power supply cord H07 RN-F	CN 4,15m 2 x 1,0mm
6	1 610 703 053	Grommet	Ø9,7-Ø12x89 MM
7	1 601 302 019	Fastening Clamp	
8	1 619 P14 459	Nameplate	
9	1 619 P13 299	Manufacturer's nameplate	GSH 500
13	1 610 900 026	groove ball bearing	8x24x8
14	1 610 905 041	groove ball bearing	12x32x10
15	1 616 610 085	Fan	
16	1 619 P14 465	Brush Holder	
19	2 910 211 019	Tapping Screw	DIN 7971-ST3,9x16-F
21	1 619 P14 480	Dust Cap	
22	1 619 P08 758	Protection Sleeve	
25	1 903 230 016	Ball	10 MM III DIN 5401ST
27	1 619 P09 017	Air-Deflector Ring	
28	1 619 P08 759	Compression Spring	
30	1 619 P08 760	Supporting Disc	
32	1 619 P08 761	Damping Ring	
34	1 610 516 013	Flange	
43	1 619 P08 767	Fan Cover	
53	1 619 P14 688	Washer	
54	1 619 P08 769	Stop Disc	
55	1 610 290 067	Retaining snap ring	
57	1 619 P14 474	Striker	
69	1 610 099 004	Retaining Bracket	
72	1 619 P14 477	Eccentric Cog Wheel	
73	1 619 P14 241	Housing Cover	
74	1 619 P14 481	Holding-Down-Appliance	
75	1 619 P08 778	Handle	
76	1 613 435 015	Torx Oval-Head Screw SILVER	M5x12-TORX,T25
81	1 619 P08 780	Handle Cover	
95	1 610 210 173	O-Ring	32,0x1,5 MM

Spare parts list

Item	Part Number	Description
104	1 619 P08 783	Seal Ring
111	1 610 290 064	Bushing
112	1 613 300 008	Hex Nut DIN 936-M8x1-8
113	1 613 435 009	Tapping Screw ST-4,8x57,5-TORX,T20
117	1 610 913 004	Needle-Roller Assembly Ø13 MM
129	1 619 P10 302	Cover Sleeve
138	1 619 P08 785	Sealing Frame
141	1 610 290 066	Rotary shaft lip seal
143	1 619 P08 752	Retainer
145	1 610 119 012	Spring retaining ring
151	1 619 P14 464	Stop Disc
152	1 619 P14 463	Retaining ring
153	1 614 601 030	Retaining ring
154	2 916 660 019	Spring retaining ring DIN 472-42x1,75MM
160	1 619 P08 787	Damping Ring
161	1 619 P14 753	Damping Ring
162	1 610 210 163	O-Ring 22,0x3,5 MM
163	1 610 290 125	Seal Ring
164	1 619 P14 689	Damping Ring
165	1 610 210 079	O-Ring 22,0x4,0 MM
166	1 619 P14 462	Sealing Ring
168	1 619 P08 792	O-Ring
169	1 619 P14 461	Rubber Plug
170	1 619 P14 472	O-Ring
171	1 613 435 014	Torx Oval-Head Screw M5x16-TORX,T25 SILVER
172	1 613 435 013	Torx Oval-Head Screw M6x30-TORX,T30 SILVER
173	1 619 P01 380	Screw 4x14
174	1 613 435 012	Torx Oval-Head Screw M4,8x25-TORX,T25 SILVER
175	1 619 P00 228	Screw
177	1 603 435 051	Tapping Screw ST3,9x32 SILVER
178	1 619 P15 164	Connecting Cable
179	1 619 P07 815	Screw
182	1 619 P00 831	Felt Seal

Spare parts list

Item	Part Number	Description
183	1 619 P09 862	Felt Seal
803	1 619 P14 921	Armature 220V
811	1 617 014 138	Carbon-Brush Set
817	1 614 652 004	Spiral Spring
823	1 619 P14 923	Toolholder
839	1 619 P14 924	Gear Housing
840	1 619 P14 926	Impact Mechanism Housing
841	1 619 P14 928	Striker Pin
854	1 619 P14 929	Stop Disc
856	1 619 P14 930	Hammer Piston
898	1 619 P14 932	Wear and Tear Part Set
84	1 612 025 060	Auxiliary Handle M8 BLACK
85	1 619 P09 926	Support clamp
86	1 613 490 002	T-Head Bolt M8x40 MM
87	1 611 316 019	Clamping Band Ø62 MM
884	1 619 P14 935	Auxiliary Handle
886	1 617 000 459	Auxiliary Handle M8 BLACK
893	1 615 430 002	Grease Tube 225 ML
895	1 615 430 015	Grease Tube 225 ML

Illustration - Type - E

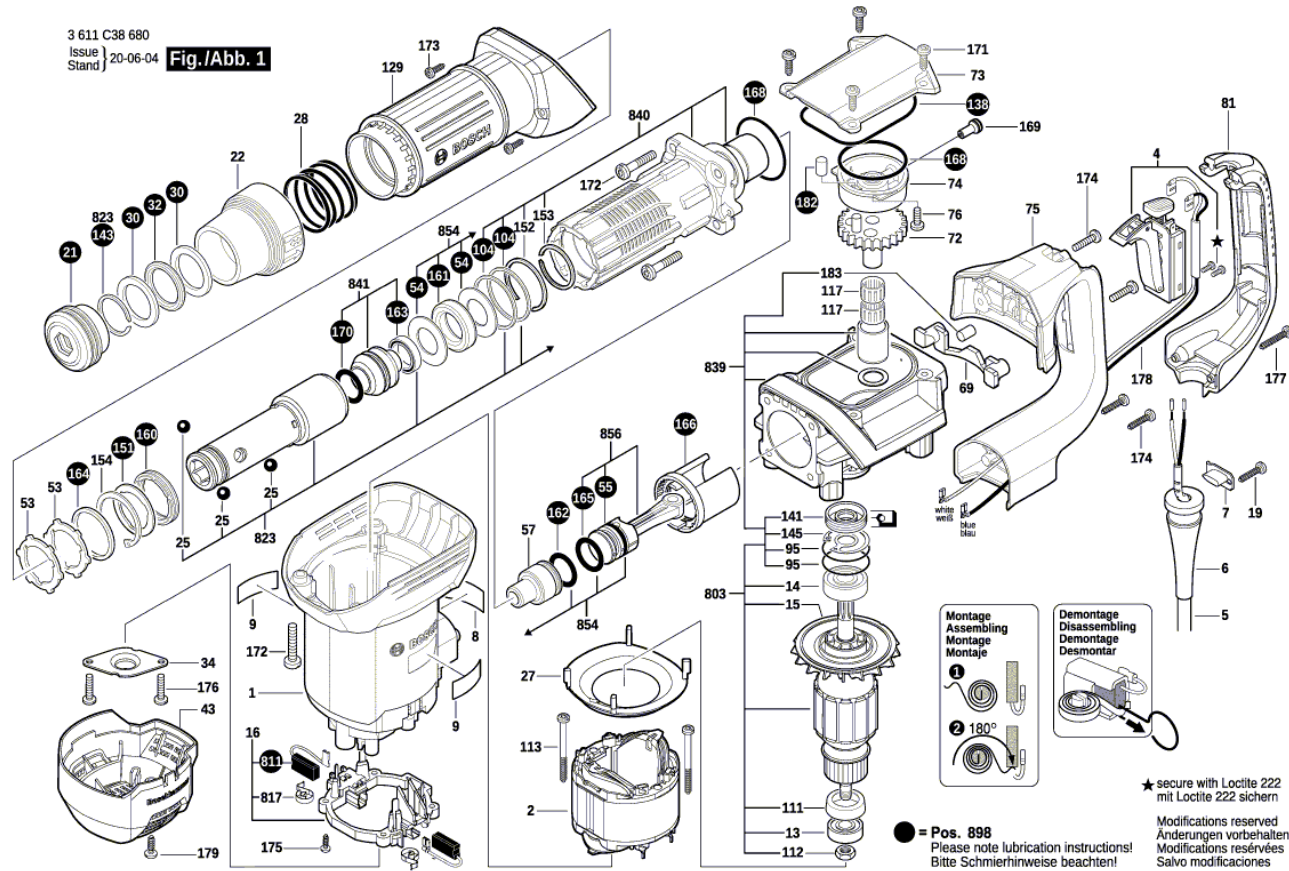
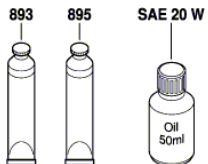
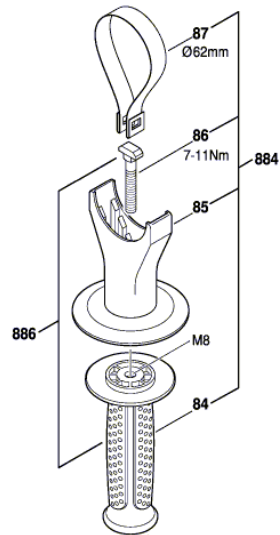


Illustration - Type - E

3 611 C38 680
Issue
Stand | 19-12-11

Fig./Abb. 2



Modifications reserved
Änderungen vorbehalten
Modifications réservées
Salvo modificaciones