



BOSCH

Un-Demolition Hammer

GSH 4 | 0 611 312 039

Table of Content

Spare parts list.....	2
Illustration - Type.....	6

Spare parts list

Item	Part Number	Description		Illustration
1	1 615 102 142	Motor Housing	BLUE	1
2	1 614 220 131	Field	115-120V	1
4	1 617 200 048	Switch		1
4/10	2 910 011 088	Socket head cap screw	DIN 84-AM3,5x12-5,8	1
5	1 604 460 133	Power supply cord	USA/CDN 2,15m 2 x 2,08mm SJ 14/2	1
6	1 610 703 053	Grommet	Ø9,7-Ø12x89 MM	1
6	3 600 703 011	Grommet	Ø9,2-Ø12x120 MM	1
7	1 601 302 018	Fastening Clamp		1
9	1 611 110 669	Manufacturer's nameplate		1
13	1 610 900 025	groove ball bearing	7x22x7	1
14	1 610 905 015	groove ball bearing	15x32x9	1
15	1 616 610 071	Fan		1
16	1 610 499 016	Ratchet Sleeve		1
17	1 610 590 002	Retaining snap ring		1
18	2 916 660 016	Spring retaining ring	DIN 472 37x1,5MM	1
19	1 615 700 033	Clamping-Flange		1
20	1 618 597 069	Toolholder		1
21	1 610 508 017	Protective Cap		1
22	1 610 499 015	Protection Sleeve		1
23	1 610 520 001	Stop Sleeve		1
24	1 617 000 239	Ball	DIN 5401-5 MM-III-ST	1
25	1 612 300 027	Stopping Device		1
26	1 610 290 025	Indexing Disk		1
27	2 910 141 201	Hex Socket Head Cap Screw	DIN 912-M6x20-8.8	1
28	1 614 621 000	Compression Spring		1
29	1 614 615 002	Compression Spring		1
30	1 610 210 092	O-Ring	60,0x1,5 MM	1
31	1 610 390 015	Spacer Tube		1
32	1 610 202 016	Cylinder Sleeve		1
34	1 610 390 030	Spacer Tube		1
35	1 615 806 086	Hammer Pipe		1
36	1 610 210 022	O-Ring	48,0x2,0 MM	1
37	1 900 210 131	O-Ring	30x2,5 MM	1

Spare parts list

Item	Part Number	Description	Illustration
38	1 615 190 058	Covering hood BLACK	1
39	1 610 283 027	Rotary shaft lip seal	1
41	1 618 710 052	Striker Pin	1
45	1 615 500 286	Housing Cover	1
54	1 610 190 010	Control Disc	1
55	1 610 420 004	Control Bushing	1
56	1 618 700 057	Hammer Piston BLACK	1
57	1 618 710 077	Striker	1
70	1 612 001 031	Connecting Rod	1
71	1 613 101 005	Straight Pin	1
72	1 616 317 037	Eccentric Cog Wheel Z=43	1
75	1 615 132 056	Handle BLUE	1
76	1 612 026 029	Control Lever	1
79	1 615 819 016	Bearing Pedestal	1
80	1 617 233 025	Speed governor 100-120V	1
103	1 610 210 091	O-Ring 24,0x4,0 MM	1
104	1 610 210 093	O-Ring 17,0x8,0 MM	1
111	1 610 210 081	O-Ring 10,0x1,0 MM	1
112	1 610 210 090	Clamping Ring	1
113	1 610 328 013	Backup ring	1
122	1 610 910 069	Needle bearing	1
123	1 610 910 072	Nozzle Socket	1
124	1 610 101 008	Thrust Bearing Disc 1,0 MM THICK	1
126	2 910 211 019	Tapping Screw DIN 7971-ST3,9x16-F	1
127	2 914 555 131	Microencapsulated Screw DIN 912 M 4x8-8,8	1
129	2 912 401 036	Tapping Screw DIN7981-ST4,8x25-C-Z	1
131	1 611 110 670	Manufacturer's nameplate	1
136	2 910 211 236	Tapping Screw DIN 7971-ST4,8x25-C	1
137	1 610 210 101	O-Ring 26,0x2,0 MM	1
138	1 610 210 103	O-Ring 33,0x2,0 MM	1
139	1 610 205 006	Felt Washer	1
140	1 611 098 004	Support Plate	1
141	1 610 322 007	Headed Bush	1
808	1 601 11A 3H3	Nameplate	1

Spare parts list

Item	Part Number	Description	Illustration
830	1 614 010 182	Armature 115-120V	1
840	1 617 000 948	Assembly Of Service Parts	1
842	1 614 336 009	Brush Holder	1
842/020	1 614 336 043	Brush Guide	1
842/040	1 617 014 122	Carbon-Brush Set	1
842/050	1 613 212 004	Rubber Buffer	1
842/080	2 912 401 005	Tapping Screw DIN7981-ST2,9x9,5C-Z	1
843	1 615 808 072	Bearing cover BLUE	1
877	1 617 000 297	Shift Plate GRAY	1
897	1 617 000 185	Wear and Tear Part Set	1
898	1 617 000 186	Wear and Tear Part Set	1
84	1 612 025 019	Auxiliary Handle M8	2
85	1 618 040 057	Support clamp Ø 43 MM	2
86	1 613 490 002	T-Head Bolt M8x40 MM	2
87	1 611 316 006	Clamping Band Ø43 MM	2
750	2 605 438 313	Carrying Case	2
751	1 618 600 023	Pointed Chisel Ø18x280 MM	2
751/1	1 618 600 011	Pointed Chisel Ø18x400 MM	2
751/2	1 618 600 012	Pointed Chisel Ø18x600 MM	2
752	1 618 600 202	Cold Chisel 25x400 MM	2
752/1	1 618 600 203	Cold Chisel 25x600 MM	2
753	1 618 601 006	Spade-Shaped Chisel 50x400 MM	2
753/1	1 618 601 008	Wide chisel 80x300 MM	2
753/2	1 618 601 007	Wide chisel 115x350 MM	2
754	1 618 601 302	Toothed Chisel 32x7x300 MM	2
755	1 618 601 303	Mortar raking chisel 28x8x300 MM	2
756	1 618 601 101	Gouge 26x300 MM	2
757	1 618 601 102	Gouge 32x300 MM	2
758	1 618 601 018	Tile Chisel 50x300 MM	2
758/1	1 618 601 019	Wide chisel 80x300 MM	2
760	1 618 609 003	Chisel Holder 65x220 MM	2
761	1 618 623 205	Bush Hammer 60x60 MM, Z= 5x5	2
761/1	1 618 623 206	Bush Hammer 60x60 MM, Z= 7x7	2
762	1 618 633 101	Tamping Tool 120x130 MM	2
762/1	1 618 633 102	Tamping Tool 150x150 MM	2

Spare parts list

Item	Part Number	Description	Illustration
784	2 602 025 063	Auxiliary Handle Ø 43 MM	2

Illustration - Type - E

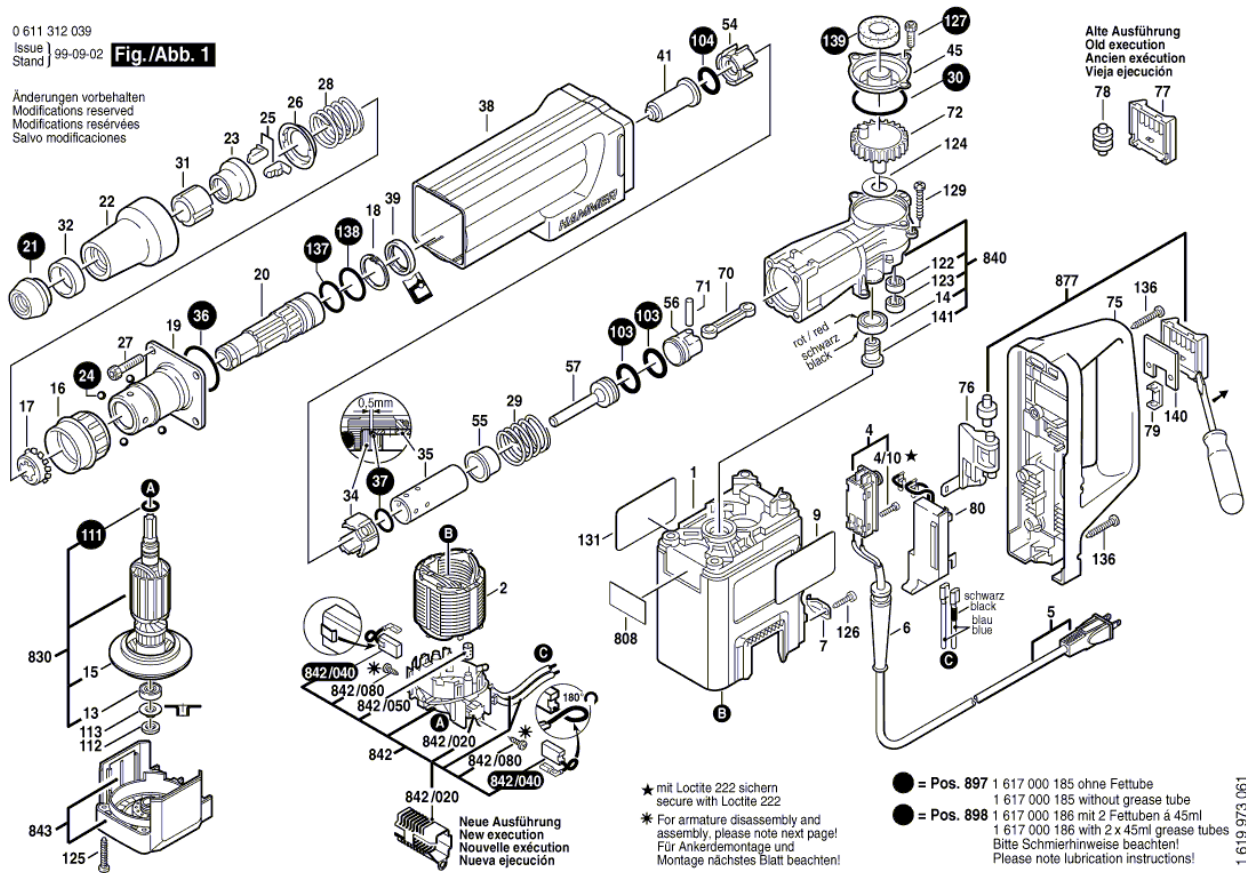
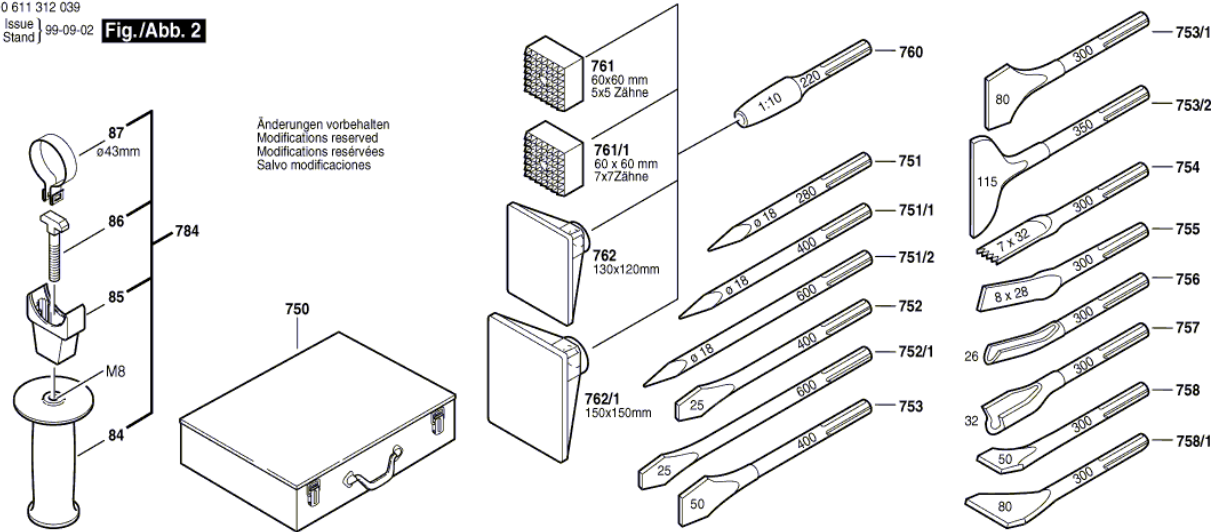


Illustration - Type - E

0 611 312 039
Issue | 99-09-02
Stand | **Fig./Abb. 2**



Vor Ankerdemontage- und Montage beide Bürstenhalter 5-7 mm nach außen ziehen.
For armature disassembly and assembly pull the brush holder 5-7 mm outwards.

Nach der Ankerdemontage Bürstenhalter nach innen drücken und festschrauben.
After armature assembly, press in the brush holder and tighten the screw.

Kohlebürsten mit Flachstecker einsetzen.
Fit brushes and electrical contact.

Litzen beider Kohlebürsten um 180° drehen.
Turn both the Brush wires 180° as shown.

