



BOSCH

Demolition Hammer

GSH 16-30 | 3 611 C35 180

Table of Content

Spare parts list.....	2
Illustration - Type.....	5

Demolition Hammer | GSH 16-30 | 3 611 C35 180

Spare parts list

Item	Part Number	Description
2	1 604 220 52M	Field 220-240V
3	1 614 011 117	Armature 220-240V
4	1 607 200 244	Switch
5	1 614 460 075	Power supply cord H07 RN-F CN 4,15m 2 x 1,0mm
6	1 610 703 053	Grommet Ø9,7-Ø12x89 MM
7	1 601 302 018	Fastening Clamp
15	1 616 610 102	Fan
25	1 610 300 070	Guide Ring
28	1 614 614 006	Compression Spring
29	1 614 614 007	Compression Spring
33	1 611 006 008	Holding Plate
34	1 610 102 635	Supporting Disc
37	1 615 500 380	Fan Cover
42	1 614 336 078	Brush Holder
42/2	1 614 336 017	Brush Guide
42/3	1 614 652 007	Spiral Spring
42/6	1 611 390 005	Connector
42/8	2 912 401 412	Tapping Screw
43	1 610 508 054	Spacer
46	1 615 106 053	Motor Housing
47	1 618 000 028	Base Plate
48	1 615 500 383	Housing Cover
53	1 610 190 058	Stop Disc
55	1 610 506 019	Control Bushing
56/58	1 610 500 023	Retaining snap ring
56/71	1 613 101 012	Piston Pin
60	1 616 317 086	Cylindrical Gear
61	1 616 317 093	Cylindrical Gear
72	1 600 A01 4TW	Eccentric Shaft
73	1 600 A00 14G	Needle bearing
75/173	1 613 490 008	Torx Oval-Head Screw 6x20
75/174	1 613 490 009	Torx Oval-Head Screw 6x40
75/183	2 916 280 013	Supporting Disc S15x21x1,5 DIN988
75/184	1 613 349 021	Hex Nut

Demolition Hammer | GSH 16-30 | 3 611 C35 180

Spare parts list

Item	Part Number	Description	Illustration
75/74	1 613 060 049	Splined coupling	
75/76	1 618 045 022	Strap-Shaped Handle	
75/77	1 615 805 069	Bearing Pedestal	
75/79	1 613 060 050	Toothed Shaft	
75/80	1 615 500 376	Bearing cover	
75/81	1 615 500 377	Bearing cover	
95	1 614 448 038	Connecting Cable	
118	1 610 520 003	Spacer Tube	
119	1 610 913 020	Needle-Roller Assembly	
120	1 610 910 092	Needle-Roller Bearing	D25xD37x17
123	1 610 900 030	groove ball bearing	20x47x14
126	2 603 490 023	Torx Oval-Head Screw	4x20
128	2 916 660 021	Spring retaining ring	47x1,75MM, DIN 472
138	1 611 015 059	Sealing Frame	
139	1 610 508 050	Plug	
157	1 610 210 192	O-Ring	
158	1 610 210 191	O-Ring	
159	1 600 210 005	O-Ring	66,0x3,0 MM
161	1 610 290 118	Damping Ring	
164	1 610 210 194	O-Ring	
165	1 610 210 195	O-Ring	
169	1 613 414 022	Hex Socket Head Cap Screw	
170	1 613 414 023	Hex Socket Head Cap Screw	
171	1 613 490 010	Torx Oval-Head Screw	M6x20
172	1 613 490 011	Torx Oval-Head Screw	M6x50
176	1 603 435 036	Tapping Screw	4,8x78 MM, TORX T-20
180	1 613 490 007	Clamp Screw	
181	2 603 490 022	Screw	4x16
183	1 613 349 020	Hex Nut	
190	1 614 503 007	Suppression Filter	
195	1 611 110 D43	Sticker	
808	1 601 11A 3H3	Nameplate	
810	1 617 014 143	Carbon-Brush Set	
813	1 617 000 480	Bearing	
814	1 617 000 481	Bearing	

Spare parts list

Item	Part Number	Description
818	1 617 000 482	Brush-Cover
819	1 617 000 483	Brush-Cover
820	1 617 000 722	Toolholder
821	1 617 000 721	Locking Bolt Set
831	1 617 000 A4Z	Plain Washer
835	1 617 000 709	Guide Tube
839	1 617 000 489	Gear Cover
840	1 617 000 490	Gear Housing
841	1 617 000 491	Striker Pin
844	1 617 000 492	Hammer Pipe
845	1 617 000 710	Sealing cap
854	1 617 000 740	Spacer Tube
856	1 607 000 C3N	Hammer Piston
857	1 617 000 495	Striker
870	1 607 000 C3P	Connecting Rod
875	1 617 000 496	Rubber Torsion-Bar
892	1 607 000 C3M	Hammer Piston
895	1 617 000 702	Wear and Tear Part Set
896	1 617 000 497	Wear and Tear Part Set
86	2 911 021 267	Hex Screw
87	1 600 A00 AR5	Clamping Band
88	1 619 P16 922	Star Knob
661	1 615 430 010	Grease Tube 30 ML
884	1 602 025 08K	Auxiliary Handle
885	1 605 132 163	Handle
886	2 911 011 270	Hex Screw DIN 931-M8x130-8.8
890	1 617 000 716	Wheel Set
891	1 617 000 715	Lock
897	1 615 430 016	Lubricating Grease 1000 ML
898	1 615 430 015	Grease Tube 225 ML

Illustration - Type - E

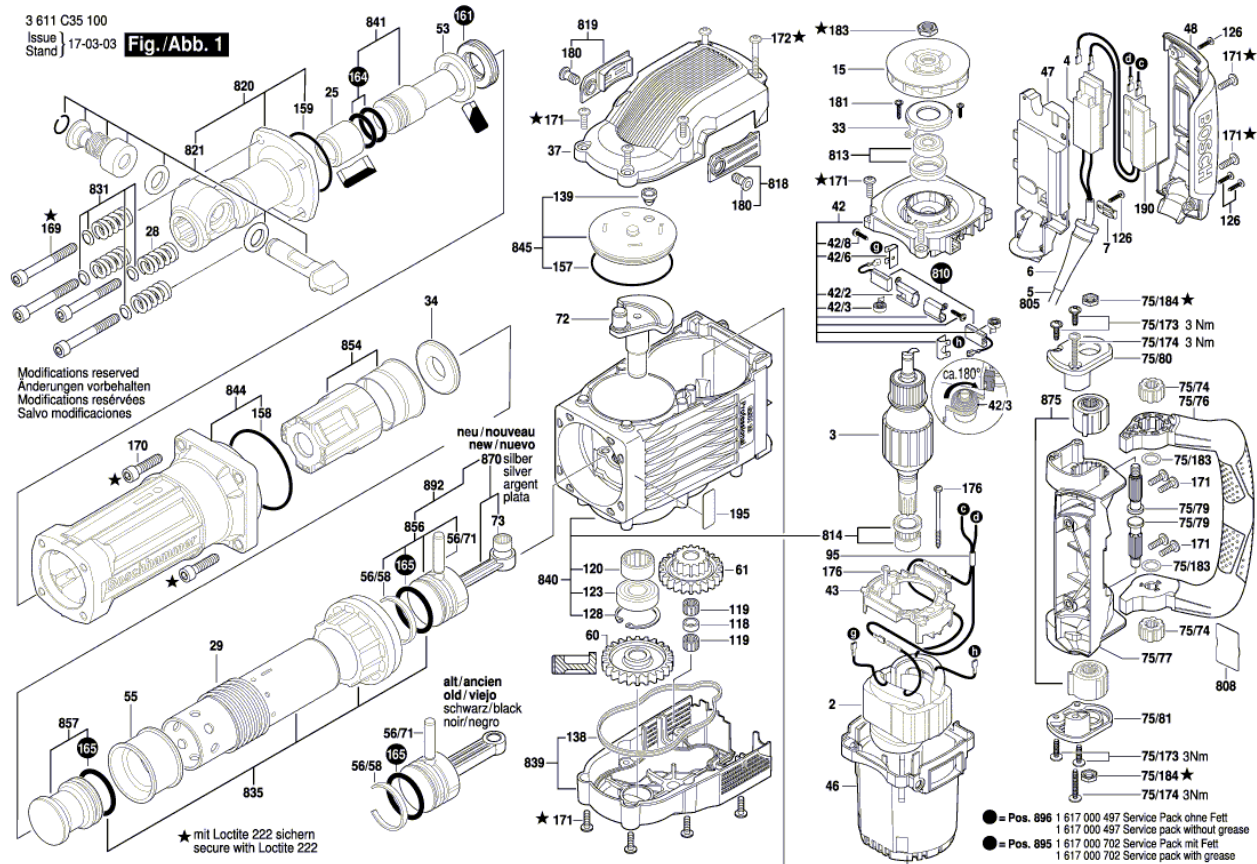
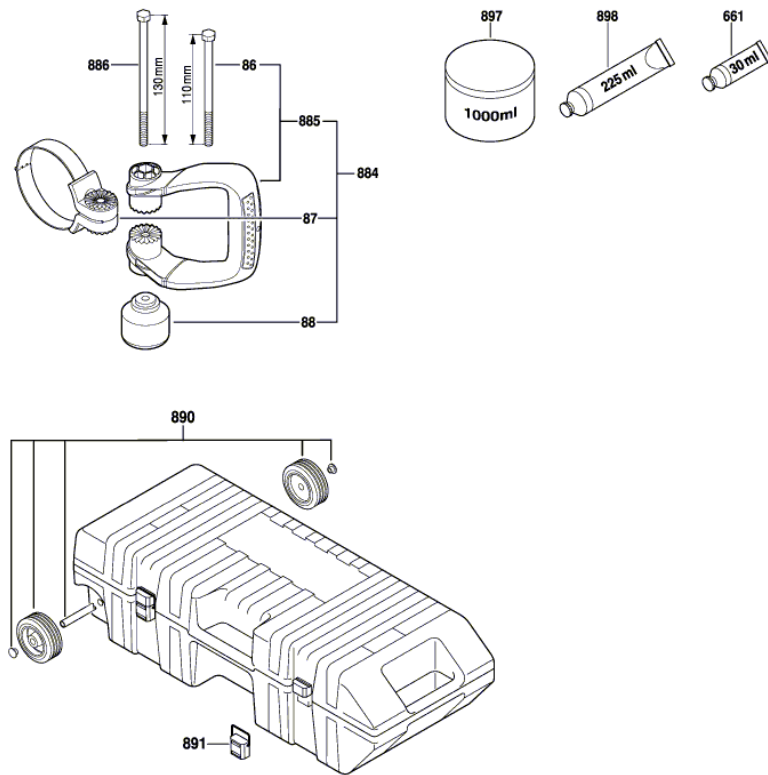


Illustration - Type - E

3 611 C35 100
Issue
Stand 14-09-15 **Fig./Abb. 2**



Modifications reserved
Änderungen vorbehalten
Modifications réservées
Salvo modificaciones