



BOSCH

Demolition Hammer

GSH 10 C | 0 611 311 743

Table of Content

Spare parts list.....	2
Illustration - Type.....	6

Spare parts list

Item	Part Number	Description
1	3 615 102 507	Motor Housing BLUE
4	1 617 200 048	Switch
4/10	2 910 011 088	Socket head cap screw DIN 84-AM3,5x12-5.8
5	1 614 460 075	Power supply cord CN 4,15m 2 x 1,0mm H07 RN-F
6	1 610 703 053	Grommet Ø9,7-Ø12x89 MM
7	1 601 302 018	Fastening Clamp
9	1 611 110 641	Manufacturer's nameplate
13	2 610 909 310	groove ball bearing
14	1 610 910 096	Needle-Roller Bearing
15	1 616 610 078	Fan
16	1 610 499 022	Ratchet Sleeve
17	1 610 590 004	Retaining snap ring
18/1	1 610 119 010	Spring retaining ring
19	1 619 P13 963	Clamping-Flange
20	1 618 597 067	Toolholder
21	1 610 508 025	Protective Cap
22	1 610 499 023	Protection Sleeve
23	1 610 521 011	Stop Sleeve
25	1 612 300 025	Stopping Device
26	1 610 290 027	Indexing Disk
27	2 910 151 246	Hex Socket Head Cap Screw DIN 912-M8x30-10.9
28	1 614 621 002	Compression Spring
29	1 614 621 003	Compression Spring
31	1 610 290 026	Damping Ring
34	1 610 390 029	Spacer Tube
35	1 615 806 108	Hammer Pipe
36	1 610 210 127	O-Ring 64,0x2,5 MM
37	1 610 210 128	O-Ring 35,0x3,0 MM
38	1 615 190 052	Covering hood
39	1 600 A01 MK9	Rotary shaft lip seal
41	1 618 710 071	Striker Pin
43	1 615 808 083	Bearing cover BLUE
54	1 610 190 019	Control Disc

Spare parts list

Item	Part Number	Description		
55	1 610 420 005	Control Bushing		
56	1 618 700 064	Hammer Piston		
57	1 618 710 062	Striker		
70	1 612 001 033	Connecting Rod		
71	1 613 101 006	Straight Pin		
72	1 600 A02 7H7	Eccentric Cog Wheel		
75	1 615 132 051	Handle	BLACK	
76	1 612 026 049	Control Lever		
77	1 612 026 048	Shift Plate	GRAY	
82	1 615 510 000	Light Conductor		
103	1 610 210 122	O-Ring	30,0x5,0 MM	
104	1 610 210 123	O-Ring	22,0x11,0 MM	
111	3 610 501 500	Bushing		
112	3 613 461 500	Threaded Ring		
113	1 613 435 009	Tapping Screw	ST-4,8x57,5-TORX,T20	
114	1 900 210 130	O-Ring	30x2 MM	
115	1 610 508 027	Protective Cap	BLACK	
123	1 610 913 013	Needle-Roller Assembly		
124/1	1 610 101 608	Thrust Bearing Disc		
126	2 910 211 019	Tapping Screw	DIN 7971-ST3,9x16-F	
127	2 914 551 117	Microencapsulated Screw	DIN 912-M 5x12-8.8	
129	1 613 433 001	Screw and washer assembly	6,3x32	
131	1 611 110 703	Manufacturer's nameplate		
136	1 613 490 029	Torx Oval-Head Screw	M6x30	
137	1 610 210 129	O-Ring	41,0x2,5 MM	
138	1 610 210 130	O-Ring	32,0x2,5 MM	
139	1 610 108 020	Felt Washer		
140	1 613 435 010	Torx Oval-Head Screw	5,5x25	
141	1 610 290 028	Rotary shaft lip seal		
142	1 610 300 063	Bushing		
143	2 916 540 017	Retaining ring	DIN 7993 A 30	
144	1 610 102 029	Supporting Disc		
180	1 611 110 855	Sticker		
801	1 617 220 073	Un. Flange-Mtd. Motor	220-240V	BLUE

Spare parts list

Item	Part Number	Description	
808	1 601 11A 3H3	Nameplate	
823	1 617 000 403	Needle-Roller Assembly	
824	1 617 000 240	Ball	DIN 5401-6,5MM-III-ST
840	1 617 000 969	Impact Mechanism Housing	
842	1 614 336 016	Brush Holder	
842/030	1 604 652 015	Spiral Spring	
842/050	1 617 014 126	Carbon-Brush Set	
842/080	2 910 611 012	Tapping Screw	DIN 7981-ST3,5x16-C-H
845	1 617 000 418	Housing Cover	
880	1 607 233 5CV	Speed governor	220-240V
895	3 613 344 500	Oil Return Ring	
897	1 617 000 189	Wear and Tear Part Set	
898	1 617 000 190	Wear and Tear Part Set	
84	1 602 025 08D	Auxiliary Handle	
86	2 911 021 267	Hex Screw	
87	1 611 316 010	Clamping Band	
88	1 619 P16 922	Star Knob	
89	1 600 A00 748	Clamping Piece	
661	1 615 430 010	Grease Tube	30 ML
751	1 618 600 011	Pointed Chisel	Ø18x400 MM
751/1	1 618 600 023	Pointed Chisel	Ø18x280 MM
751/2	1 618 600 012	Pointed Chisel	Ø18x600 MM
752	1 618 600 202	Cold Chisel	25x400 MM
752/1	1 618 600 203	Cold Chisel	25x600 MM
753	1 618 601 006	Spade-Shaped Chisel	50x400 MM
753/1	1 618 601 008	Wide chisel	80x300 MM
753/2	1 618 601 007	Wide chisel	115x350 MM
754	1 618 601 302	Toothed Chisel	32x7x300 MM
755	1 618 601 303	Mortar raking chisel	28x8x300 MM
756	1 618 601 101	Gouge	26x300 MM
757	1 618 601 102	Gouge	32x300 MM
758	1 618 601 018	Tile Chisel	50x300 MM
758/1	1 618 601 019	Wide chisel	80x300 MM
760	1 618 609 003	Chisel Holder	65x220 MM
761	1 618 623 205	Bush Hammer	60x60 MM, Z= 5x5

Spare parts list

Item	Part Number	Description	
761/1	1 618 623 206	Bush Hammer	60x60 MM, Z= 7x7
762	1 618 633 101	Tamping Tool	120x130 MM
762/1	1 618 633 102	Tamping Tool	150x150 MM
886	2 911 011 270	Hex Screw	DIN 931-M8x130-8.8
887	1 617 000 188	Clamping Band	Ø50 MM
889	1 618 040 053	Clamping Piece	
890	1 610 190 053	Catch Disk	

Illustration - Type - E

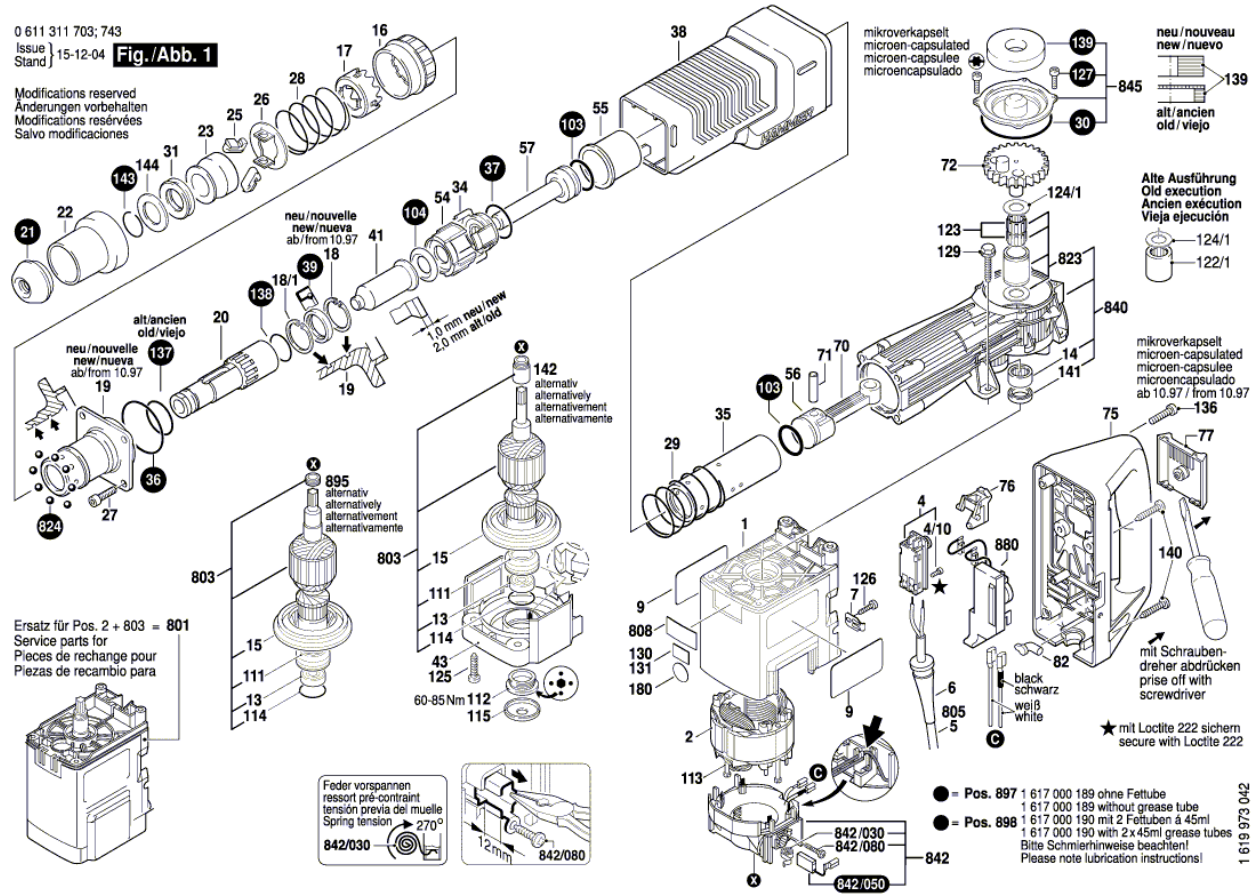
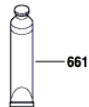
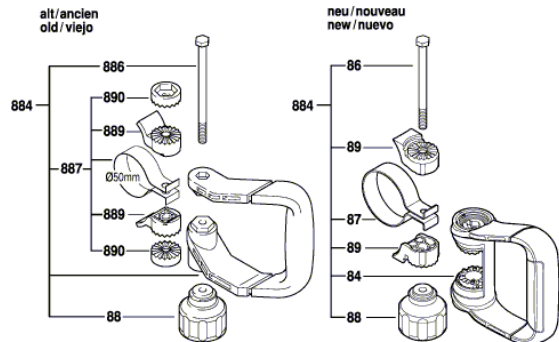
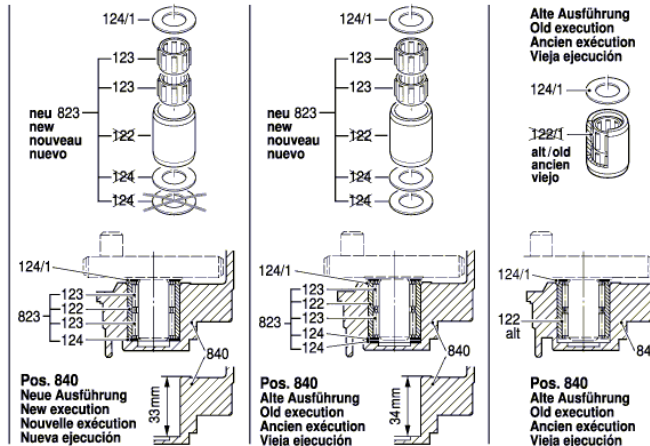
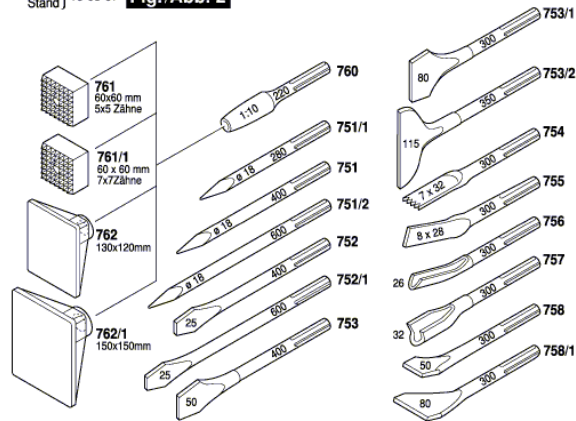


Illustration - Type - E

0 611 311 703; 743
 Issue / Stand | 16-03-07 **Fig./Abb. 2**



Maße in mm
 Dimensions in mm
 Cotes en mm
 Medidas en mm

Änderungen vorbehalten
 Modifications reserved
 Modifications réservées
 Salvo modificaciones

