



BOSCH

Shears

GSC 160 | 0 601 500 443

Table of Content

Spare parts list.....	2
Illustration - Type.....	4

Spare parts list

Item	Part Number	Description
1	3 605 102 090	Motor Housing
2	2 609 160 011	Field 220-240V
3	2 604 011 270	Armature 220-240V
4	1 607 200 146	Switch
5	1 604 460 258	Power supply cord CN 4,15m 2 x 1,0mm H07 RN-F
6	2 600 703 013	Grommet Ø7,6-Ø8,2x95 MM
7	2 601 035 001	Cable Clip
9	3 601 119 178	Manufacturer's nameplate
12	3 607 328 016	Suppression Filter
13	2 600 905 032	Ball Bearing 7x19x6
14	2 600 905 021	groove ball bearing 9x24x7
16	1 619 P01 811	Brush Holder
17	1 604 652 013	Spiral Spring
18	1 604 611 031	Compression Spring
20	3 605 700 162	Intermediate Flange
21	3 605 106 105	Transmission Case
22	1 602 319 009	Adjusting Slide
23	1 602 026 068	Switch Handle BLACK
25	3 605 500 163	Housing Cover
26	1 600 502 024	Intermediate Ring
27	3 600 206 015	Rubber Ring
29	1 600 591 023	Air-Deflector Ring
30	3 600 929 037	Rotary shaft lip seal
31	2 600 300 047	Seal Bushing
32	3 600 283 046	Spring retaining ring
33	2 603 490 021	Torx Oval-Head Screw 4x12
34	2 603 490 022	Screw 4x16
36	1 613 435 034	Lens Head Screw 3x10 ST
37	2 603 490 026	Lens Head Screw 4x32
40	3 600 905 141	groove ball bearing 5x16x5
41	3 600 109 016	Eccentric Shaft
42	3 602 311 052	U-Sheet
43	3 606 316 096	Cylindrical Gear
45	3 600 905 158	Track-Supporting Roller

Spare parts list

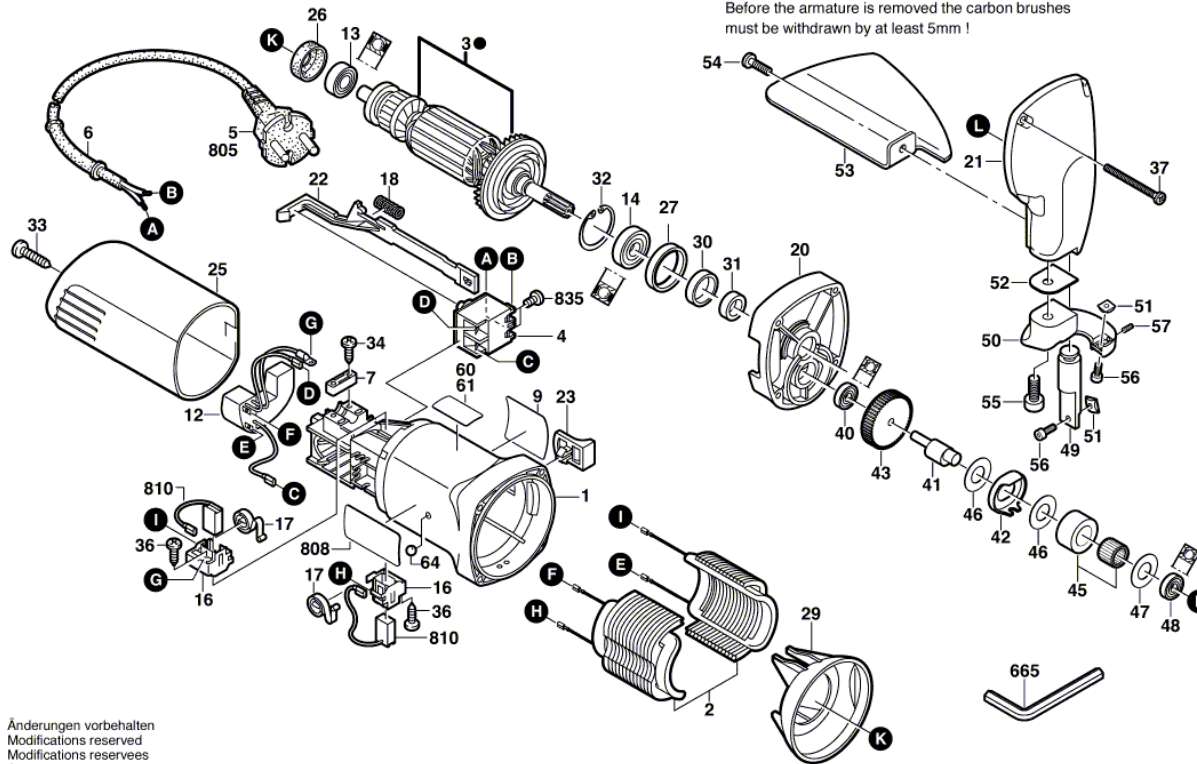
Item	Part Number	Description
46	3 600 102 049	Shim ring
47	3 600 102 050	Shim ring
48	1 900 900 228	groove ball bearing 8x22x7
49	3 602 317 041	Tappet
50	3 606 455 042	Cutting Table
51	3 607 031 834	Set of knives
52	3 602 311 047	Plain Washer 0,2 mm
52	3 602 311 048	Plain Washer 0,4mm
52	3 602 311 049	Plain Washer 0,6mm
53	3 607 233 025	Chip Deflector
54	3 603 391 007	Thread-forming tap. Screw DIN 7500-UM5x10-ST
55	2 910 401 289	Hex Socket Head Cap Screw DIN 912-M10x20-12.9
56	2 910 401 118	Hex Socket Head Cap Screw DIN 912-M4x8-12.9
57	3 603 435 056	Set screw
64	2 603 230 001	Ball BLUE
665	1 907 950 004	Offset Screwdriver DIN 911, SW3
808	3 601 110 451	Nameplate
810	3 604 321 039	Carbon-Brush Set
835	2 910 641 082	Oval-Head Screw

Illustration - Type - E

0 601 500 403
 Stand 1 2016
 Issue J 08-01-16

Fig./Abb. 1

● Vor Demontage des Ankers
 Kohlebürsten 5mm zurückziehen !
 Before the armature is removed the carbon brushes
 must be withdrawn by at least 5mm !



Änderungen vorbehalten
 Modifications reserved
 Modifications reserves
 Salvo modificaciones