



BOSCH

Percussion Drill

GSB 600 | 3 601 AA0 380

Table of Content

Spare parts list.....	2
Illustration - Type.....	3

Spare parts list

Item	Part Number	Description
1	1 619 PC0 375	Housing
2	1 619 PC0 376	Field
3	1 619 PC0 377	Armature
4	1 619 PC0 378	On-Off Switch
5	1 619 PC0 379	Power supply cord
6	1 619 PC0 383	Grommet
8	1 619 PC0 384	Nameplate
9	1 619 PC0 388	Manufacturer's nameplate
10	1 619 PC0 389	Carbon-Brush Set
12	1 619 PC0 390	Suppression Capacitor
13	1 619 PC0 391	groove ball bearing
14	1 619 PC0 392	groove ball bearing
16	1 619 PC0 393	Brush Plate
19	1 619 PC0 394	Torx Oval-Head Screw
23	1 619 PC0 395	Wire Harness assembly
25	1 619 PC0 396	Lever
26	1 619 PC0 397	Felt Seal
31	1 619 PC0 398	Change-Over Switch
34	1 619 PC0 399	Bearing Bracket
836	1 619 PC0 400	Drilling Spindle
839	2 608 571 076	Chuck
839/1	1 619 PC0 408	Chuck Wrench
651	1 619 PC1 939	Depth gauge
652	1 619 PC1 940	Auxiliary Handle

Illustration - Type - E

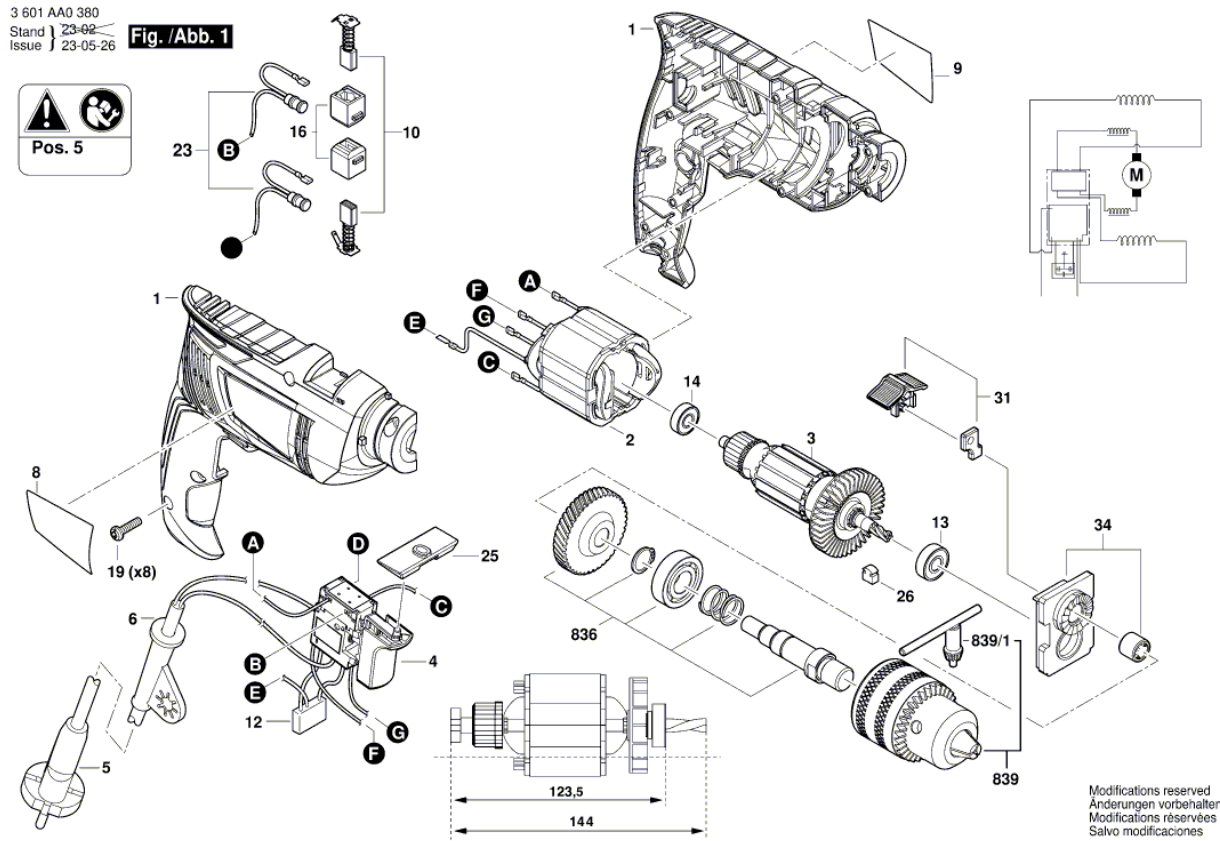
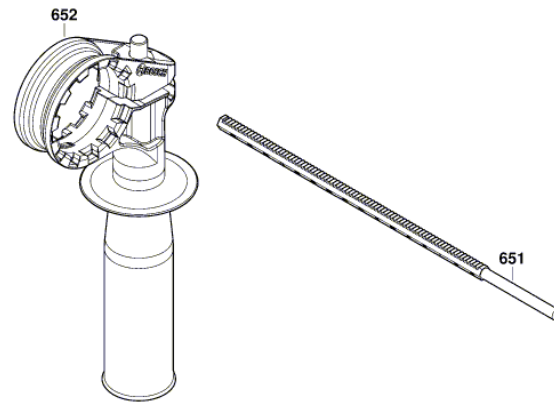


Illustration - Type - E

3 601 AA0 380
Stand | 23-02
Issue | 23-03-13 **Fig. /Abb. 2**



Modifications reserved
Änderungen vorbehalten
Modifications réservées
Salvo modificaciones