



BOSCH

Cordl Perc Screwdr

GSB18V-975C | 3 601 JG0 311

Table of Content

Spare parts list.....	2
Illustration - Type.....	3

Cordl Perc Screwdr | GSB18V-975C | 3 601 JG0 311

Spare parts list				
Item	Part Number	Description		Illustration
1	1 605 108 2CJ	Housing		1
3	2 609 170 278	O-Ring		1
4	1 607 233 5DC	Electronics Module		1
4/3	1 607 503 377	Printed-Board Assembly		1
5	2 609 101 551	Adjusting lever		1
7	1 600 A00 RU9	Cover unit		1
9	2 610 067 340	Manufacturer's nameplate		1
16	1 607 503 333	Printed-Board Assembly		1
17	1 600 A00 M53	Cover Panel		1
25	1 600 A01 YE8	Keyless Chuck		1
45	2 609 199 916	Gear Box		1
46	1 609 280 477	Compression Spring		1
47	2 609 101 490	Lens		1
101	2 609 110 353	Torx Oval-Head Screw		1
107	2 603 421 229	Countersunk-Head Screw LEFTHAND THREADS	M6x23	1
181	1 600 A01 4J4	Warning Label		1
182	2 610 045 280	Warning Plate		1
655	2 609 199 748	Bit holder		1
656/1	2 609 111 584	Clip		1
656/2	2 609 110 834	Screw		1
803	1 600 A00 XG0	Motor Spare Parts Set		1
804	1 609 280 820	Contact retainer	18V	1
808	1 601 11A 8UD	Nameplate		1
857	2 609 101 554	Switch Slide		1
858	2 609 112 036	Switch Spring		1
91	2 607 336 819	Battery Pack	USA BAT620 18V 4,0Ah	2
91/1/22	2 601 115 537	Sticker		2
650	1 602 025 07X	Auxiliary Handle		2
653	2 607 225 927	Charger	USA BC 1880 CV 13,3-18V/120V	2

Illustration - Type - E

3 601 JG0 310
 Issue/Stand | 18-09-18 | Fig./Abb. 1

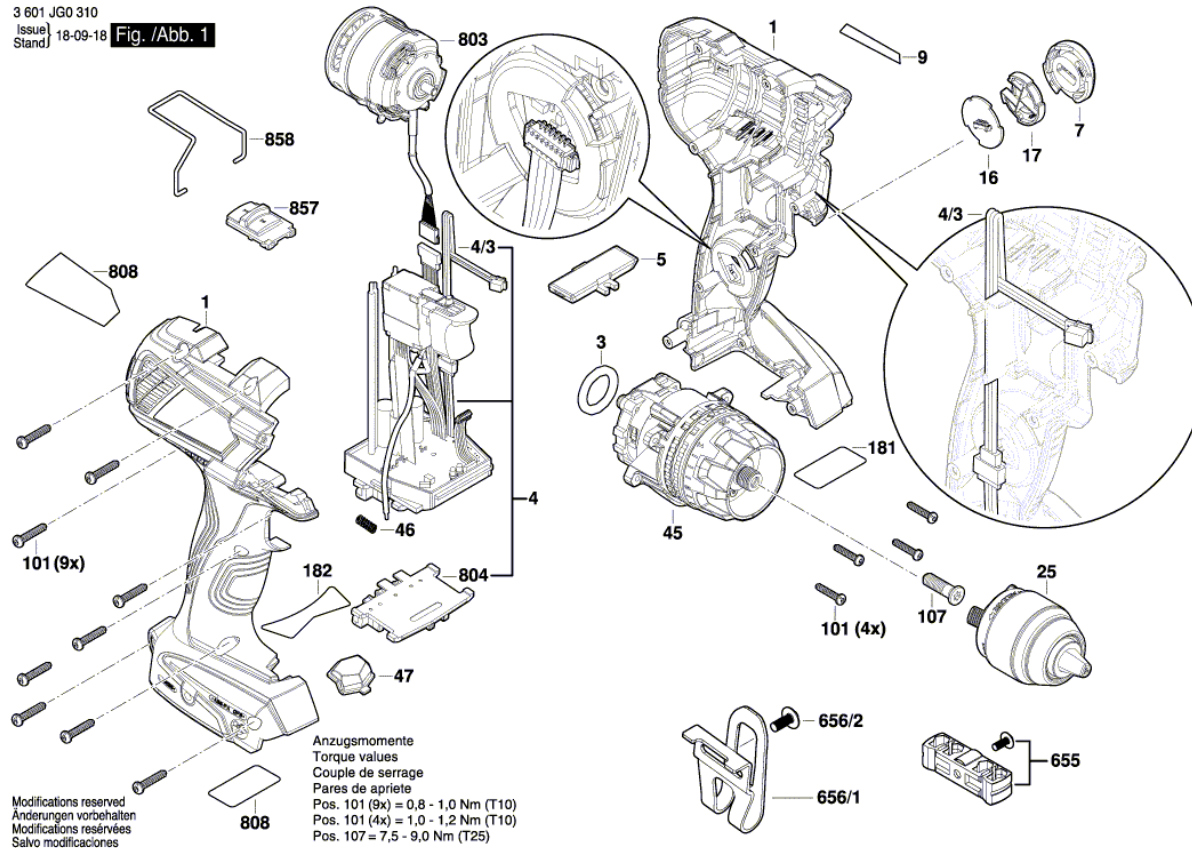
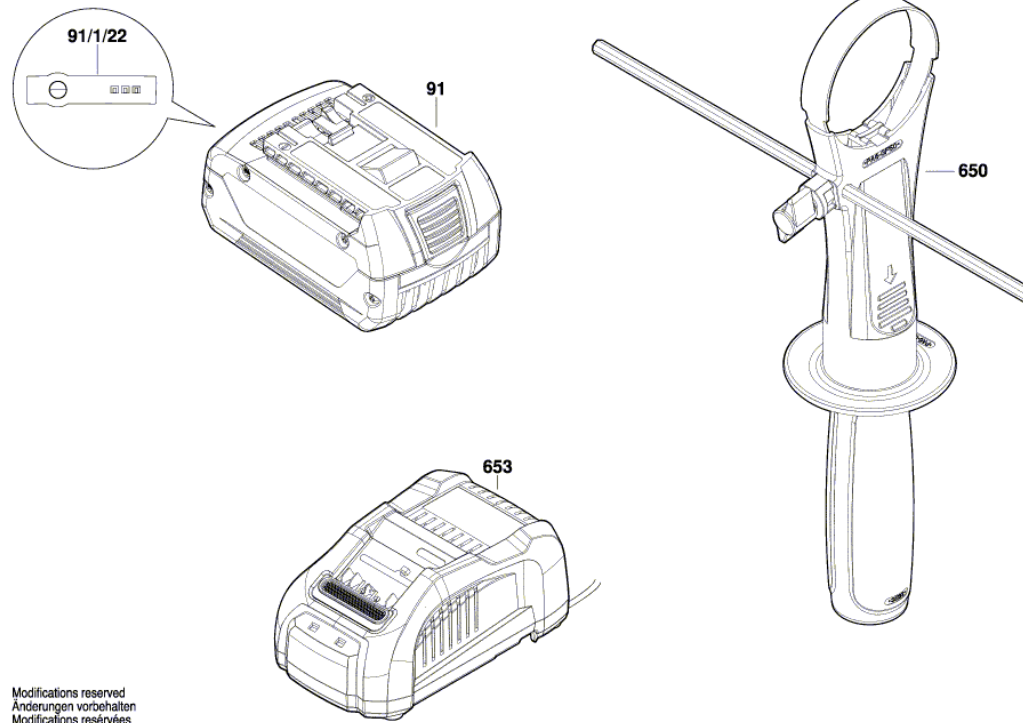


Illustration - Type - E

3 601 JG0 310
Issue | 18-06-04 Fig./Abb. 2
Stand |



Modifications reserved
Änderungen vorbehalten
Modifications réservées
Salvo modificaciones