

## Cordl Perc Screwdr - 3 601 JG0 310 - GSB18V-755C

www.powertools-aftersaleservice.com



**BOSCH**

Item	Part Number	Description	Illustration	Price	Quantity	Price Group
	1 1 605 108 2CJ	Housing	1	-,-	1	29
	3 2 609 170 278	O-Ring	1	-,-	1	10
	4 1 607 233 5DC	Electronics Module	1	-,-	1	47
	4/3 1 607 503 377	Printed-Board Assembly	1	-,-	1	22
	5 2 609 101 551	Adjusting lever	1	-,-	1	10
	7 1 600 A00 RU9	Cover unit	1	-,-	1	14
	9 2 609 138 543	Manufacturer's nameplate	1	-,-	1	13
	16 1 607 503 333	Printed-Board Assembly	1	-,-	1	24
	17 1 600 A00 M53	Cover Panel	1	-,-	1	10
	25 2 609 112 024	Keyless Chuck	1	-,-	1	40
	45 2 609 199 916	Gear Box	1	-,-	1	48
	46 1 609 280 477	Compression Spring	1	-,-	1	11
	47 2 609 101 490	Lens	1	-,-	1	11
	91 2 607 336 819	Battery Pack USA BAT620 18V 4,0Ah	2	-,-	1	51
	91/1/22 2 601 115 537	Sticker	2	-,-	1	13
	101 2 609 110 353	Torx Oval-Head Screw	1	-,-	13	10
	107 2 603 421 229	Countersunk-Head Screw M6x23	1	-,-	1	11
	181 2 609 134 293	Warning Label	1	-,-	1	13
	182 2 610 045 280	Warning Plate	1	-,-	1	13
	650 1 602 025 07X	Auxiliary Handle	2	-,-	1	29
	653 2 607 225 927	Charger USA BC 1880 CV 13,3-18V/120V	2	-,-	1	47
	655 2 609 199 748	Bit holder	1	-,-	1	12
	656/1 2 609 111 584	Clip	1	-,-	1	15
	656/2 2 609 110 834	Screw	1	-,-	1	11
	803 1 600 A00 XG0	Motor Spare Parts Set	1	-,-	1	44
	804 1 609 280 820	Contact retainer 18V	1	-,-	1	18
	808 1 601 11A 6BN	Nameplate GSB 18V-755C	1	-,-	1	13
	857 2 609 101 554	Switch Slide	1	-,-	1	12
	858 2 609 112 036	Switch Spring	1	-,-	1	10

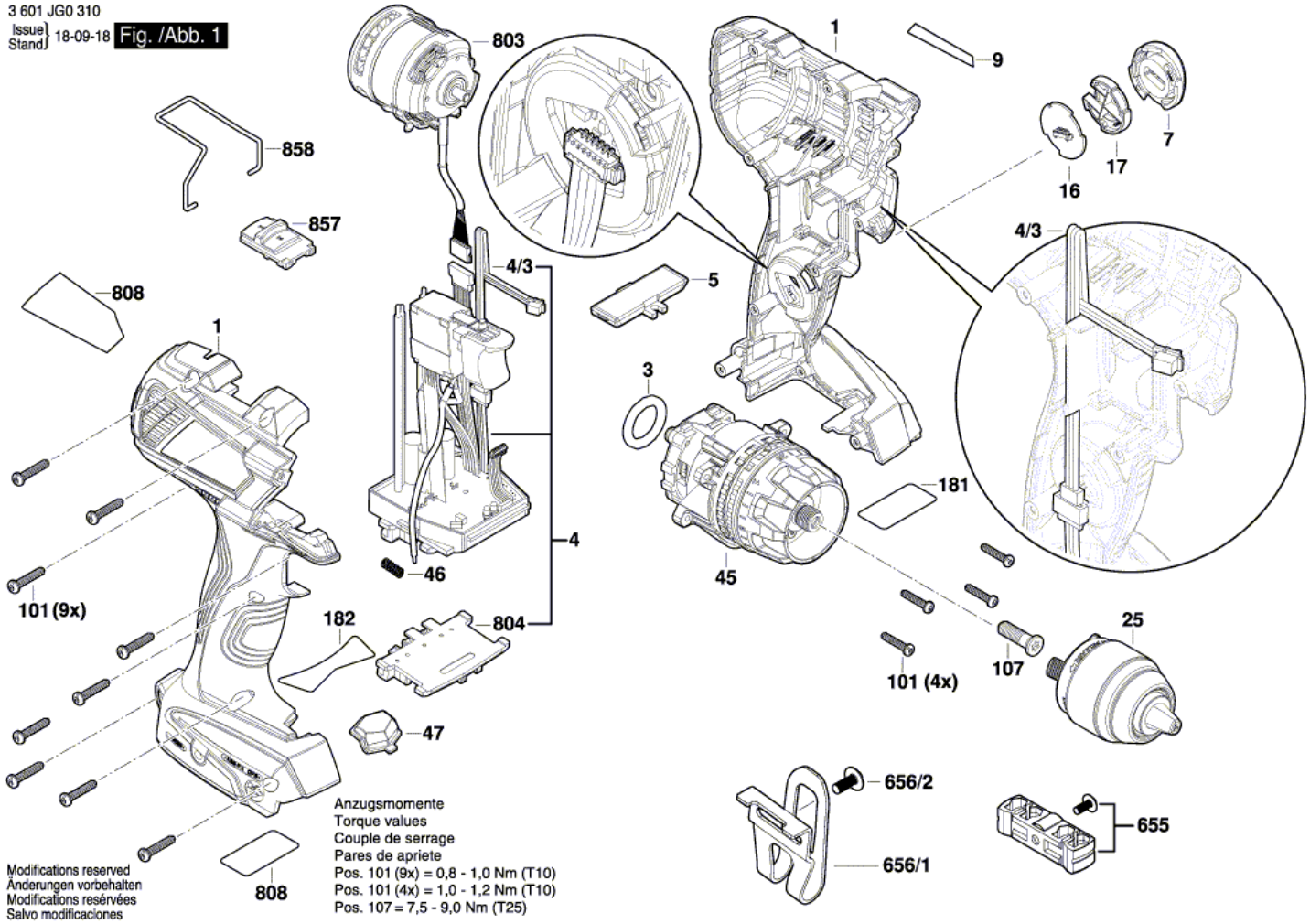
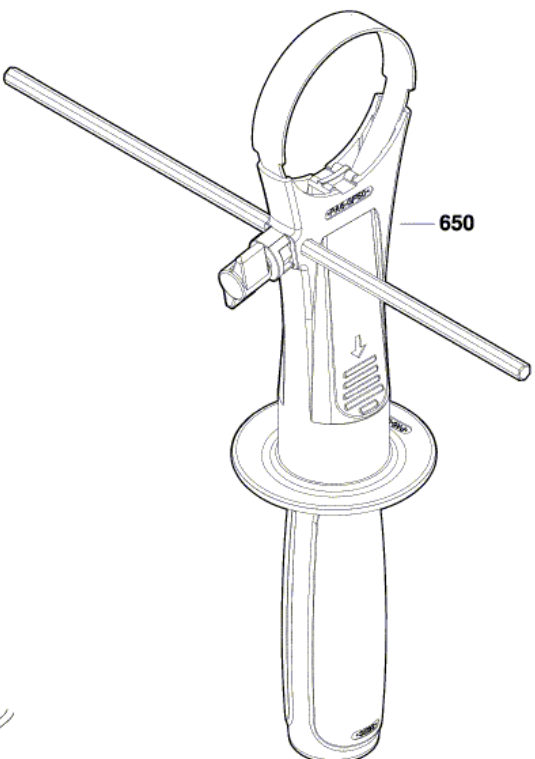
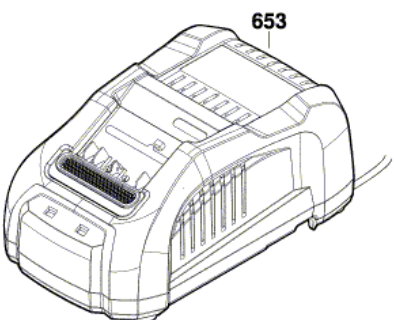
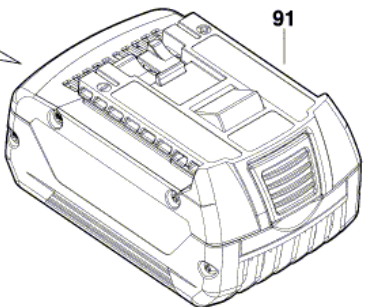
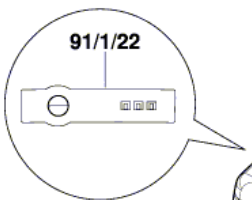


Illustration - Type E

3 601 JG0 310  
Issue | 18-06-04 Fig. /Abb. 2  
Stand |



Modifications reserved  
Änderungen vorbehalten  
Modifications réservées  
Salvo modificaciones

Information subject to change without further notice.