



BOSCH

Cordless Drill Driver

GSB18V-490 | 3 601 JH5 310

Table of Content

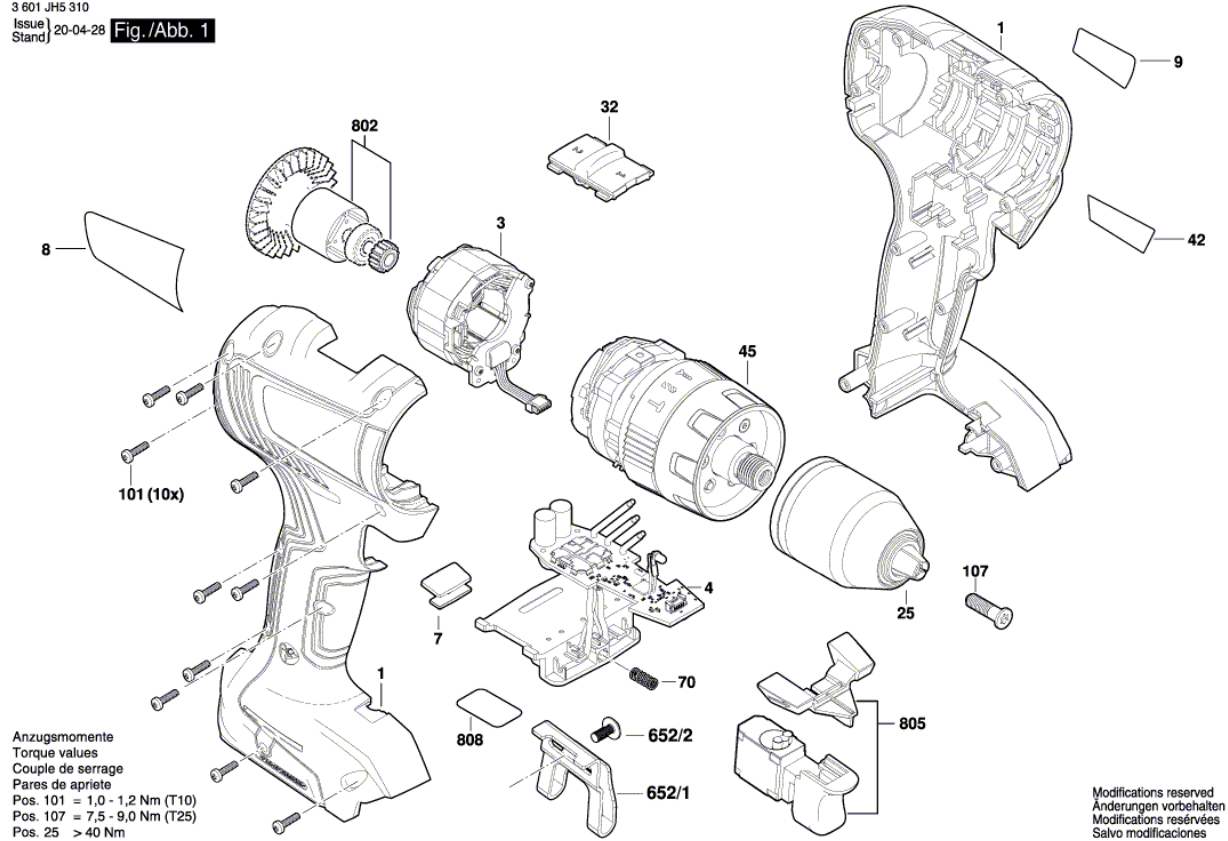
Spare parts list.....	2
Illustration - Type.....	3

Spare parts list

Item	Part Number	Description		Illustration
1	1 605 806 5S4	Housing		1
3	1 600 A01 6YW	Stator		1
4	1 607 233 5FX	Electronics Module		1
7	2 609 100 858	Lens		1
8	1 600 A01 YV7	Warning Label		1
9	1 601 11C 3G9	Manufacturer's nameplate		1
25	2 609 111 944	Keyless Chuck		1
32	2 609 199 812	Switchover Unit		1
42	1 601 11C 3KJ	Sticker		1
45	1 600 A01 60S	Gear Box		1
70	1 609 280 477	Compression Spring		1
101	2 609 110 201	Torx Flat-Head Screw	3x16	1
107	2 603 421 229	Countersunk-Head Screw LEFTHAND THREADS	M6x23	1
652/1	2 609 111 584	Clip		1
652/2	2 609 110 834	Screw		1
802	1 607 000 DM8	Motor Spare Parts Set		1
805	1 607 000 E18	Switch		1
808	1 600 A01 ZZ9	Type Label		1
91	1 607 A35 0AP	Battery Pack ProCore SCM	USA GBA18V40 18V 4.0Ah	2
91	1 607 A35 0BM	Battery Pack	BAT612 18V 2.0Ah Li SCM	2
91	1 607 A35 0CH	Battery Pack SCM	GBA18V80 8.0Ah ProCore	2
91	1 607 A35 0MB	Battery Pack		2
653	2 607 225 927	Charger	USA BC 1880 CV 13,3-18V/120V	2
653	2 607 226 257	Fast Charger	USA GAL 18V-40 120V/ 4A/ 10.8-18V	2

Illustration - Type - E

3 601 JH5 310
 Issue | 20-04-28
 Stand | **Fig./Abb. 1**

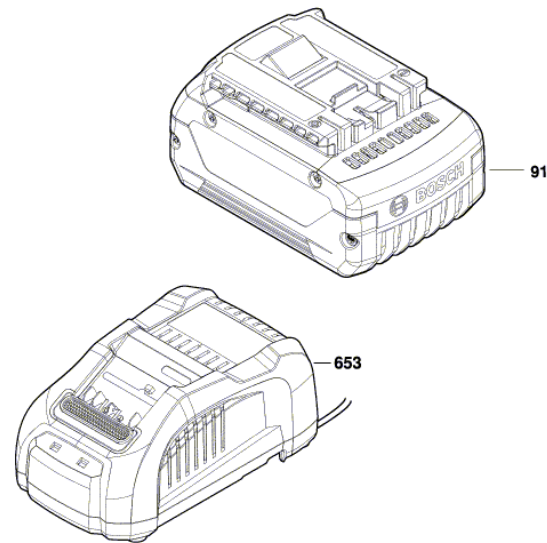


Anzugsmomente
 Torque values
 Couple de serrage
 Pares de apriete
 Pos. 101 = 1,0 - 1,2 Nm (T10)
 Pos. 107 = 7,5 - 9,0 Nm (T25)
 Pos. 25 > 40 Nm

Modifications reserved
 Änderungen vorbehalten
 Modifications réservées
 Salvo modificaciones

Illustration - Type - E

3 601 JH5 310
Issue | 20-04-28
Stand | **Fig./Abb. 2**



Modifications reserved
Änderungen vorbehalten
Modifications réservées
Salvo modificaciones