

## Cordless Impact Drill - 0 601 937 4A5 - GSB 12 VSP...

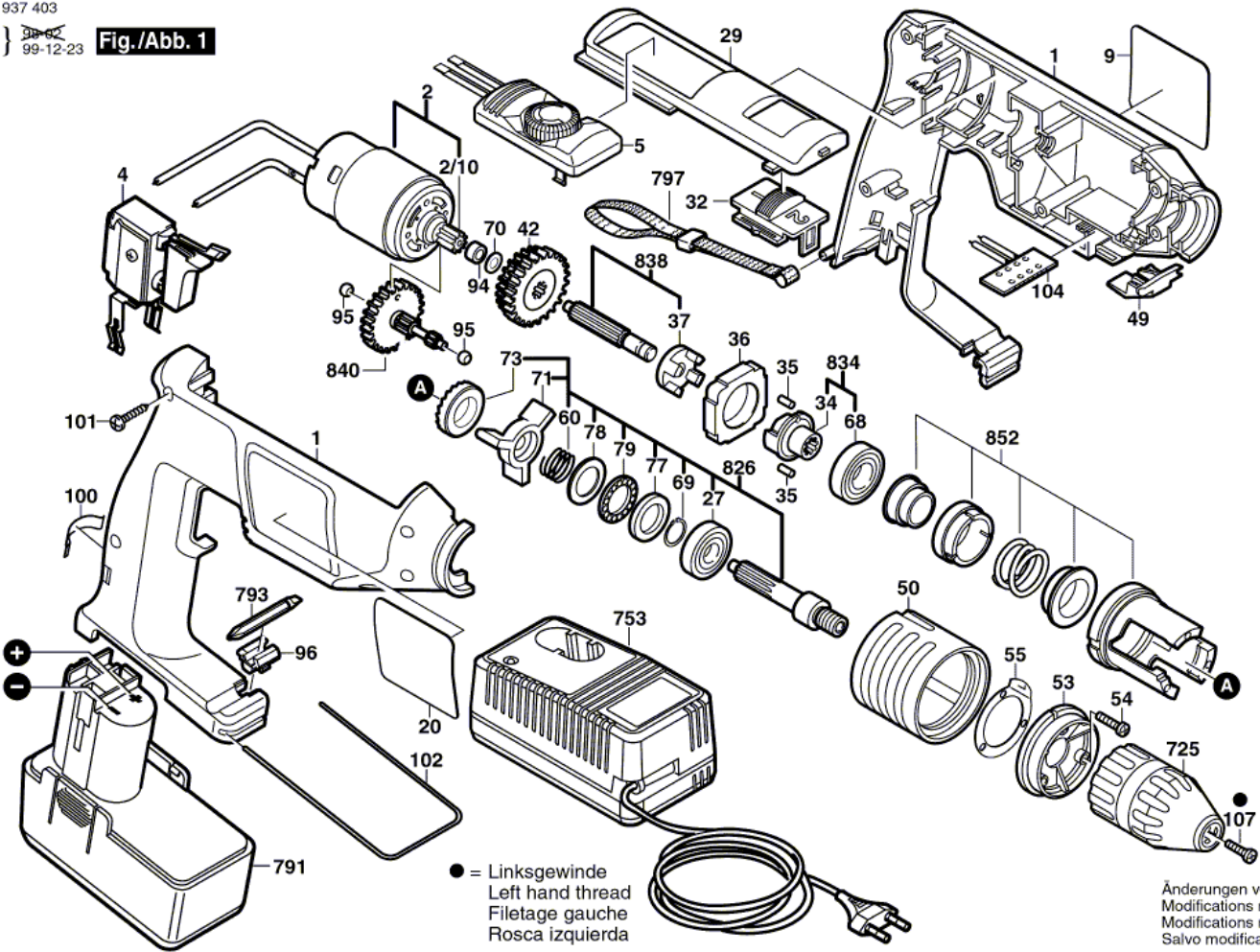
www.powertools-aftersaleservice.com



**BOSCH**

Item	Part Number	Description	Illustration	Price	Quantity	Price Group
1	2 605 104 423	Housing Section BLUE	1	-,-	1	27
2	2 607 022 929	DC motor 9,6V	1	-,-	1	35
2/10	2 606 316 144	Pinion Z=14	1	-,-	1	18
4	2 607 200 402	On-Off Switch	1	-,-	1	37
5	2 607 233 031	Torque Control 12V BLACK	1	-,-	1	28
9	2 601 118 544	Manufacturer's nameplate SUNNY SIDE	1	-,-	1	15
20	2 601 118 545	Reference Plate SHADOW SIDE	1	-,-	1	15
27	1 900 905 120	groove ball bearing 10x26x8	1	-,-	1	22
29	2 605 510 137	Insert Piece BLACK	1	-,-	1	13
32	2 601 099 056	Adjusting Slide BLACK	1	-,-	1	11
34	2 602 210 014	Eccentric	1	-,-	1	24
35	2 602 329 024	Roller Body	1	-,-	2	11
36	2 600 202 025	Ring	1	-,-	1	18
37	2 606 440 003	Carrier	1	-,-	1	15
42	1 609 340 007	Set Of Gears Z=58/67	1	-,-	1	28
49	2 605 510 117	Insert Piece BLACK	1	-,-	1	11
50	2 605 190 037	Adjusting Screw	1	-,-	1	15
53	2 608 005 046	Clamping Sleeve	1	-,-	1	13
54	2 603 490 008	Thread-forming tap. Screw M4x12 MM	1	-,-	3	11
55	2 600 190 056	Locating Washer	1	-,-	1	11
60	2 604 618 001	Compression Spring	1	-,-	1	11
68	1 900 905 122	groove ball bearing 15x32x9	1	-,-	1	22
69	2 916 650 001	Spring retaining ring DIN 471-10x1MM-FSt	1	-,-	1	11
70	2 600 100 569	Shim 1,0 MM	1	-,-	1	11
71	2 600 290 023	Backup ring	1	-,-	1	15
73	2 606 490 060	Catch Disk	1	-,-	1	14
77	2 600 190 064	Corrugated Washer	1	-,-	1	23
78	2 600 101 516	Thrust Bearing Disc	1	-,-	1	13
79	2 600 923 003	Ball Cage	1	-,-	1	15
94	2 600 301 011	Sintered-Metal Bushing	1	-,-	1	11
95	2 600 302 013	Sintered-Metal Bushing	1	-,-	2	14
96	2 608 040 131	Support	1	-,-	1	12
100	2 601 322 016	Clamp Spring	1	-,-	1	14

Item	Part Number	Description	Illustration	Price	Quantity	Price Group
101	2 603 490 022	Screw 4x16	1	-,-	6	10
102	2 601 329 041	Retaining Bracket	1	-,-	1	13
104	2 608 018 004	Contact retainer	1	-,-	1	18
107	2 603 421 211	Countersunk-Head Screw M6x20 MM LEFTHAND THREADS	1	-,-	1	12
725	2 608 572 062	Keyless Chuck Ø 2-13 MM,1/2"	1	-,-	1	-
753	2 607 224 431	Fast Charger USA 120/7,2-24V, 1h	1	-,-	1	48
753	2 607 224 708	Fast Charger USA 120/7,2-14,4V, 30 MIN.	1	-,-	1	-
791	2 607 335 148	Slide-In Accu Package 12V,2,0Ah,NiCd	1	-,-	1	50
793	2 608 521 018	Screwdriver Blade	1	-,-	1	18
797	2 601 398 009	Carrying Loop	1	-,-	1	-
826	2 606 309 928	Drilling Spindle 1/2", M 6 LEFTHAND THREADS	1	-,-	1	34
834	2 602 210 014	Eccentric	1	-,-	1	24
838	2 606 309 918	Splined Shaft	1	-,-	1	22
840	2 606 308 914	Toothed Shaft Z= 10/19/63	1	-,-	1	29
852	2 600 499 903	Guide Sleeve	1	-,-	1	31
899	0 601 937 420	Batt-Oper Drill BATTERY WITHOUT CHARGER	N/A	-,-	1	-



Information subject to change without further notice.