



**BOSCH**

# Percussion Drill

GSB 10 | 3 601 B16 081

---

## Table of Content

Spare parts list.....	2
Illustration - Type.....	3

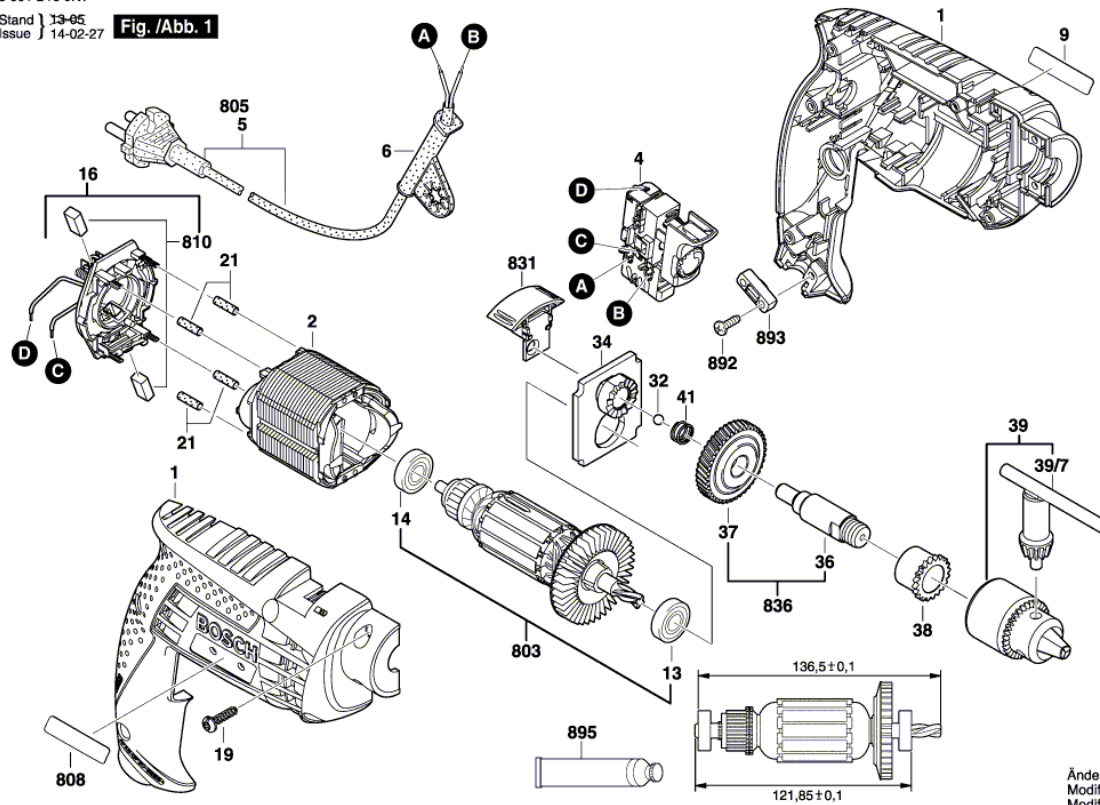
## Spare parts list

Item	Part Number	Description
1	2 609 100 414	Housing
2	2 604 220 718	Field 230V
4	1 607 200 508	On-Off Switch BLACK
5	2 604 460 245	Power supply cord CN 220V 2,65m 2 x 0,75mm H05 VV-F
6	2 600 707 059	Grommet Ø6,9 MM
9	2 609 130 908	Manufacturer's nameplate GSB 10
13	2 609 110 153	Ball Bearing 8x22x7
14	2 609 110 491	Ball Bearing
16	2 609 120 317	Brush Plate
32	1 903 230 010	Ball DIN 5401-5,5MM-III-ST
34	2 609 199 073	Bearing Bracket
36	2 609 110 440	Spindle
37	2 606 320 092	Conversion Gear
38	2 609 110 442	Sintered-Metal Bushing
39	1 608 571 079	Chuck Ø1,0-10 MM, 3/8"
39/7	2 607 950 007	Chuck Wrench SG2
41	2 604 616 006	Compression Spring
803	2 609 120 232	Armature 220-240V
810	2 610 391 290	Carbon-Brush Set
831	2 609 160 127	Change-Over Switch
836	2 609 160 122	Drilling Spindle
892	2 603 490 022	Screw 4x16
893	2 601 035 001	Cable Clip
895	3 605 430 003	Grease Tube Albida

Illustration - Type - E

3 601 B16 0K1  
 Stand | 13-05  
 issue | 14-02-27

Fig./Abb. 1



Änderungen vorbehalten  
 Modifications reserved  
 Modifications reserves  
 Salvo modificaciones