

Laser Level - 3 601 K61 N10 - GRL900-20HV

www.powertools-aftersaleservice.com



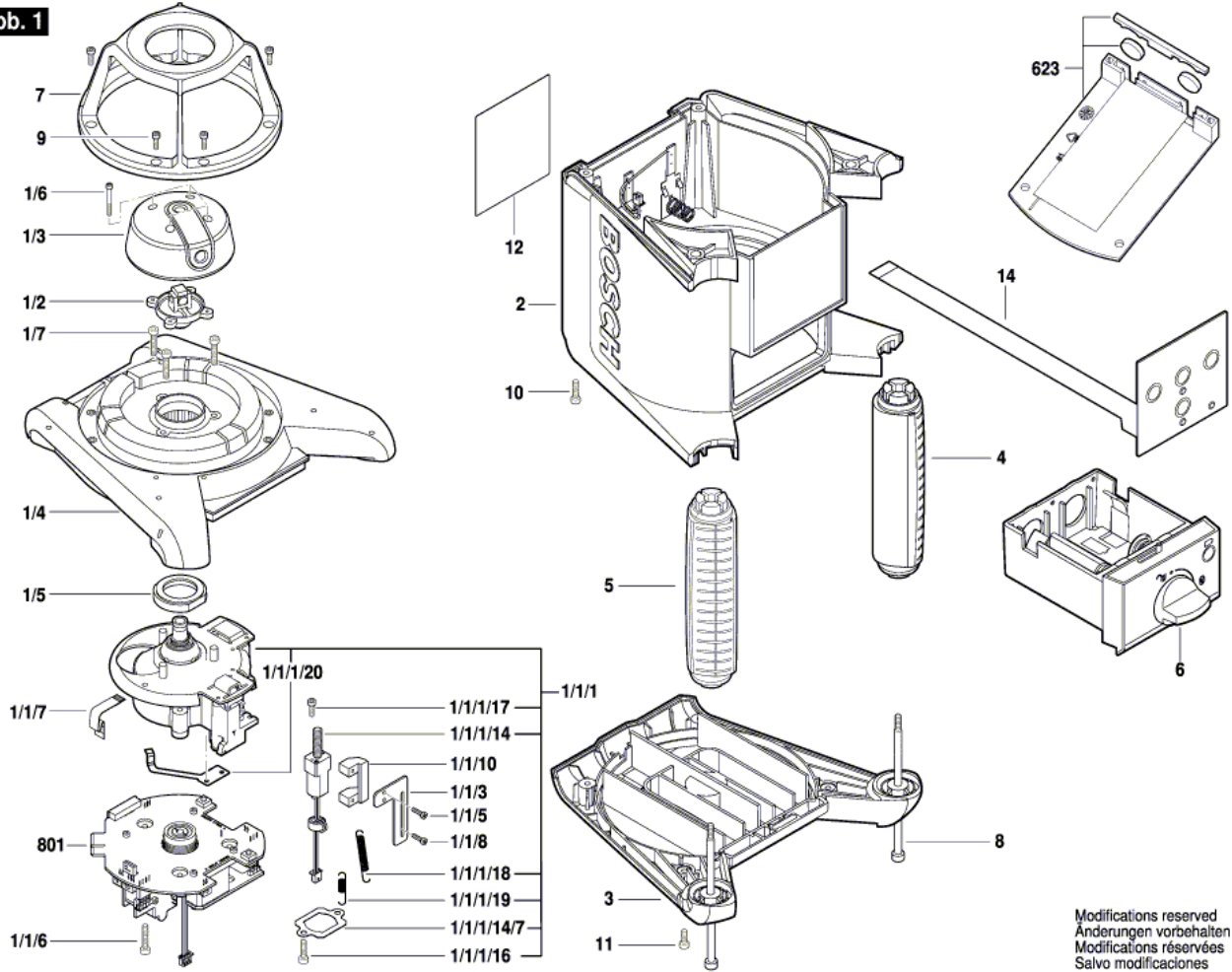
BOSCH

Item	Part Number	Description	Illustration	Price	Quantity	Price Group
1/2	2 610 A12 298	lens mount	1	-,-	1	41
1/3	2 610 A16 066	Rotating Beacon	1	-,-	1	32
1/4	2 610 A12 340	Assembly	1	-,-	1	43
1/5	2 610 A15 789	ball sleeve	1	-,-	1	12
1/6	2 610 A12 362	Hex Socket Head Cap Screw	1	-,-	4	10
1/7	2 610 A12 284	Hex Socket Head Cap Screw	1	-,-	3	10
1/1/1	2 610 A12 237	Motor Housing	1	-,-	1	55
1/1/1/14	2 610 A13 249	Motor-gearbox assembly	1	-,-	2	34
1/1/1/14/7	2 610 A12 302	Motor Plate	1	-,-	1	11
1/1/1/16	2 610 A12 301	Tapping Screw	1	-,-	6	10
1/1/1/17	2 610 A12 275	Hex Socket Head Cap Screw	1	-,-	4	10
1/1/1/18	2 610 A12 283	Extension Spring	1	-,-	2	10
1/1/1/19	2 610 A13 065	Extension Spring	1	-,-	2	10
1/1/1/20	2 610 A14 394	Brake Spring	1	-,-	1	11
1/1/3	2 610 A13 397	Limit Switch	1	-,-	2	11
1/1/5	2 610 A12 272	Hex Socket Head Cap Screw	1	-,-	4	10
1/1/6	2 610 A12 284	Hex Socket Head Cap Screw	1	-,-	3	10
1/1/7	2 610 A12 359	Flexible Pcb	1	-,-	1	15
1/1/8	2 610 A12 301	Tapping Screw	1	-,-	1	10
1/1/10	2 610 A13 399	Limit Switch	1	-,-	2	10
2	2 610 A14 450	Housing	1	-,-	1	35
3	2 610 A12 957	Housing	1	-,-	1	32
4	2 610 A12 464	Handle	1	-,-	1	30
5	2 610 A12 309	Handle	1	-,-	1	30
6	2 610 A12 327	Battery box assembly	1	-,-	1	26
7	1 600 A01 3XF	Cage	1	-,-	1	26
8	2 610 A12 310	Threaded Bolt	1	-,-	2	14
9	2 610 A12 348	Hex Socket Head Cap Screw	1	-,-	8	12
10	2 610 A12 459	Hex Socket Head Cap Screw	1	-,-	4	10
11	2 610 A12 460	Hex Socket Head Cap Screw	1	-,-	4	10
12	1 601 11A 5DM	Nameplate	1	-,-	1	13
14	1 600 A01 3XP	Keyboard	1	-,-	1	29
623	2 610 A01 267	Target	1	-,-	1	17

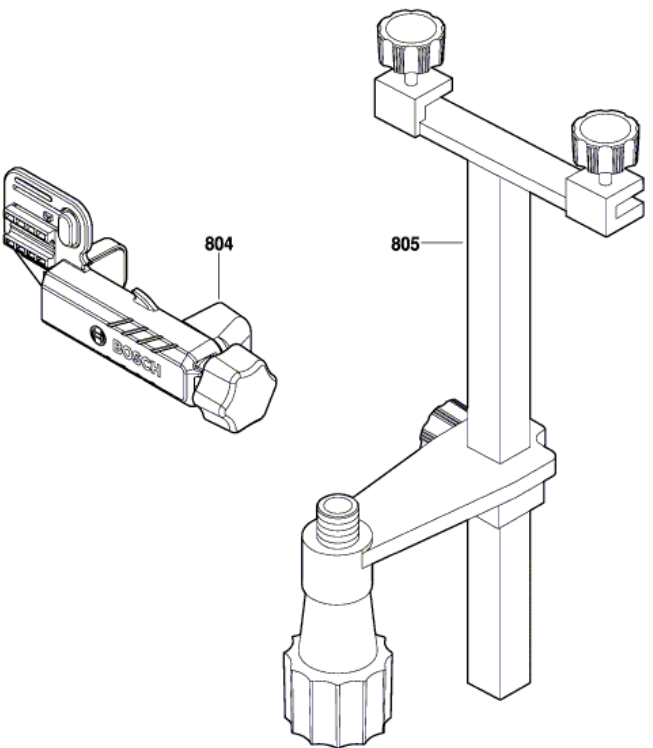
Item	Part Number	Description	Illustration	Price	Quantity	Price Group
801	1 600 A01 NL8	Assembly	1	-,-	1	50
802	1 617 S00 W3M	Remote Control	2	-,-	1	33
803	1 600 A01 D0X	Service kit	2	-,-	1	-
803/4	1 618 C01 21C	Housing Seal Ring	2	-,-	1	10
803/5	1 618 C01 14U	Battery Cover	2	-,-	1	12
804	1 618 C01 18C	Mounting Clamp	2	-,-	1	-
805	2 610 A16 661	Mounting Bracket	2	-,-	1	32

3 601 K61 N10
 Issue 18-08
 Stand 19-06-04

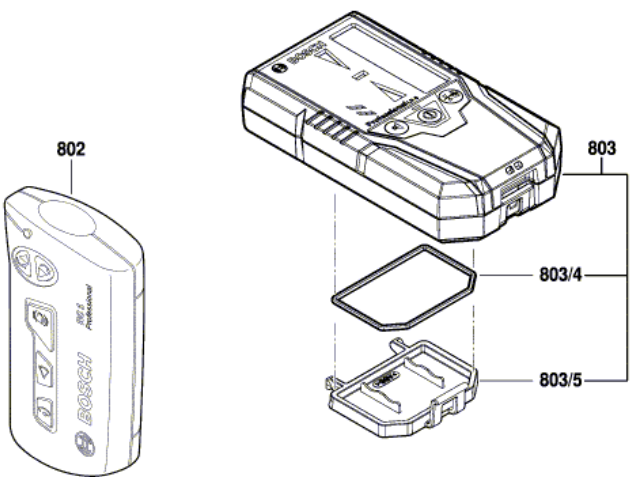
Fig. /Abb. 1



Modifications reserved
 Änderungen vorbehalten
 Modifications réservées
 Salvo modificaciones



Modifications reserved
Änderungen vorbehalten
Modifications réservées
Salvo modificaciones



3 601 K61 N10
Issue | 19-06
Stand | 19-07-04 **Fig. /Abb. 2**

Information subject to change without further notice.