



BOSCH

Laser Level

GRL800-20HV | 3 601 K61 M10

Table of Content

Spare parts list.....	2
Illustration - Type.....	4

Laser Level | GRL800-20HV | 3 601 K61 M10

Spare parts list

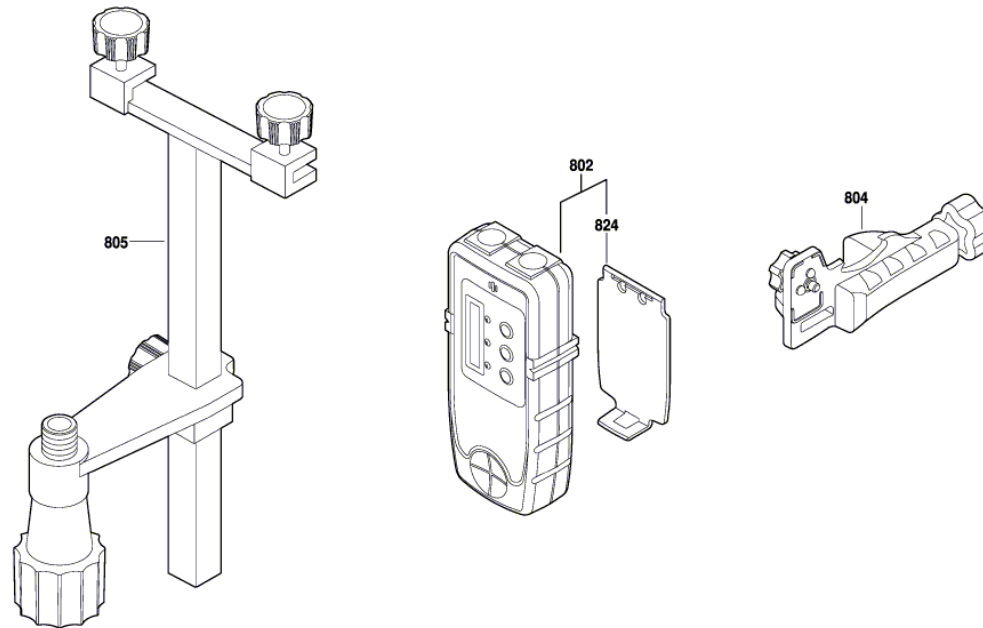
Item	Part Number	Description	Illustration
1/1/1	1 605 108 2MS	Motor Housing	1
1/1/10	2 610 A13 399	Limit Switch	1
1/1/1/14	2 610 A13 249	Motor-gearbox assembly	1
1/1/1/14/7	2 610 A12 302	Motor Plate	1
1/1/1/17	2 610 A12 275	Hex Socket Head Cap Screw	1
1/1/1/18	2 610 A12 283	Extension Spring	1
1/1/1/19	2 610 A13 065	Extension Spring	1
1/1/3	2 610 A13 397	Limit Switch	1
1/1/5	2 610 A12 272	Hex Socket Head Cap Screw	1
1/1/6	2 610 A12 284	Hex Socket Head Cap Screw	1
1/1/7	2 610 A12 359	Flexible Pcb	1
1/1/8	2 610 A12 301	Tapping Screw	1
1/2	2 610 A12 298	lens mount	1
1/3	2 610 A16 066	Rotating Beacon	1
1/4	2 610 A16 060	Upper Housing	1
1/6	2 610 A12 362	Hex Socket Head Cap Screw	1
2	2 610 A14 450	Housing	1
3	2 610 A12 957	Housing	1
4	2 610 A16 057	Handle	1
5	2 610 A16 056	Handle	1
6	2 610 A16 069	Battery box assembly	1
7	1 600 A01 3XF	Cage	1
8	2 610 A12 310	Threaded Bolt	1
9	2 610 A12 348	Hex Socket Head Cap Screw	1
10	2 610 A12 459	Hex Socket Head Cap Screw	1
11	2 610 A12 460	Hex Socket Head Cap Screw	1
12	1 601 11A 5DK	Nameplate	1
14	1 600 A01 3XN	Keyboard	1
623	2 610 A01 267	Target	1
800	2 610 A16 051	ball sleeve	1
801	1 600 A01 NL6	Leveling element	1
807	1 600 A02 OPD	Leveling element	1
810/1/1	2 610 A14 673	Motor Housing	1
810/4	1 600 A01 R8G	Upper Housing	1
820	1 600 A01 R89	Housing	1

Spare parts list

Item	Part Number	Description	Illustration
802	1 600 A01 BM3	Laser detector	2
804	2 610 A14 830	Clamp Bracket	2
805	2 610 A16 661	Mounting Bracket	2
824	2 610 A07 677	Battery Cover	2

Illustration - Type - E

3 601 K61 C11
Issue 17-11
Stand 19-07-04 **Fig. /Abb. 2**



Modifications reserved
Änderungen vorbehalten
Modifications réservées
Salvo modificaciones