



**BOSCH**

# Laser Level

GRL1000-20HV | 3 601 K61 P10

---

## Table of Content

Spare parts list.....	2
Illustration - Type.....	4

**Spare parts list**

<b>Item</b>	<b>Part Number</b>	<b>Description</b>	<b>Illustration</b>
1/1/1	1 605 108 2MP	Motor Housing	1
1/1/10	2 610 A13 399	Limit Switch	1
1/1/1/14	2 610 A13 249	Motor-gearbox assembly	1
1/1/1/14/7	2 610 A12 302	Motor Plate	1
1/1/1/17	2 610 A12 275	Hex Socket Head Cap Screw	1
1/1/1/18	2 610 A12 283	Extension Spring	1
1/1/1/19	2 610 A13 065	Extension Spring	1
1/1/1/20	2 610 A14 394	Brake Spring	1
1/1/3	2 610 A13 397	Limit Switch	1
1/1/5	2 610 A12 272	Hex Socket Head Cap Screw	1
1/1/6	2 610 A12 284	Hex Socket Head Cap Screw	1
1/1/7	2 610 A12 359	Flexible Pcb	1
1/1/8	2 610 A12 301	Tapping Screw	1
1/2	2 610 A12 298	lens mount	1
1/3	2 610 A16 066	Rotating Beacon	1
1/4	2 610 A12 340	Housing Assembly	1
1/5	2 610 A15 789	ball sleeve	1
1/6	2 610 A12 362	Hex Socket Head Cap Screw	1
2	2 610 A14 450	Housing	1
3	2 610 A12 957	Housing	1
4	2 610 A12 464	Handle	1
5	2 610 A12 309	Handle	1
6	2 610 A12 327	Battery box assembly	1
7	1 600 A01 3XF	Cage	1
8	2 610 A12 310	Threaded Bolt	1
9	2 610 A12 348	Hex Socket Head Cap Screw	1
10	2 610 A12 459	Hex Socket Head Cap Screw	1
11	2 610 A12 460	Hex Socket Head Cap Screw	1
12	1 601 11A 5DJ	Nameplate	1
14	1 600 A01 3XM	Keyboard	1
801	1 600 A01 NL9	Leveling element	1
807	1 600 A02 0P4	Leveling element	1
810/1/1	1 609 922 1BA	Motor Housing	1
810/1/1/14	1 600 A01 R7V	Motor-gearbox assembly	1
810/4	1 600 A01 R7U	Assembly	1

**Spare parts list**

<b>Item</b>	<b>Part Number</b>	<b>Description</b>	<b>Illustration</b>
820	1 600 A01 R89	Housing	1
802	1 617 S00 W3M	Remote Control	2
803	1 600 A01 D0X	Service kit	2
803/4	1 618 C01 21C	Housing Seal Ring	2
803/5	1 618 C01 14U	Battery Cover	2
804	1 618 C01 18C	Mounting Clamp	2
805	2 610 A16 661	Mounting Bracket	2

Illustration - Type - E

3 601 K61 N10  
Issue | 19-06  
Stand | 20-03-31

Fig. /Abb. 1

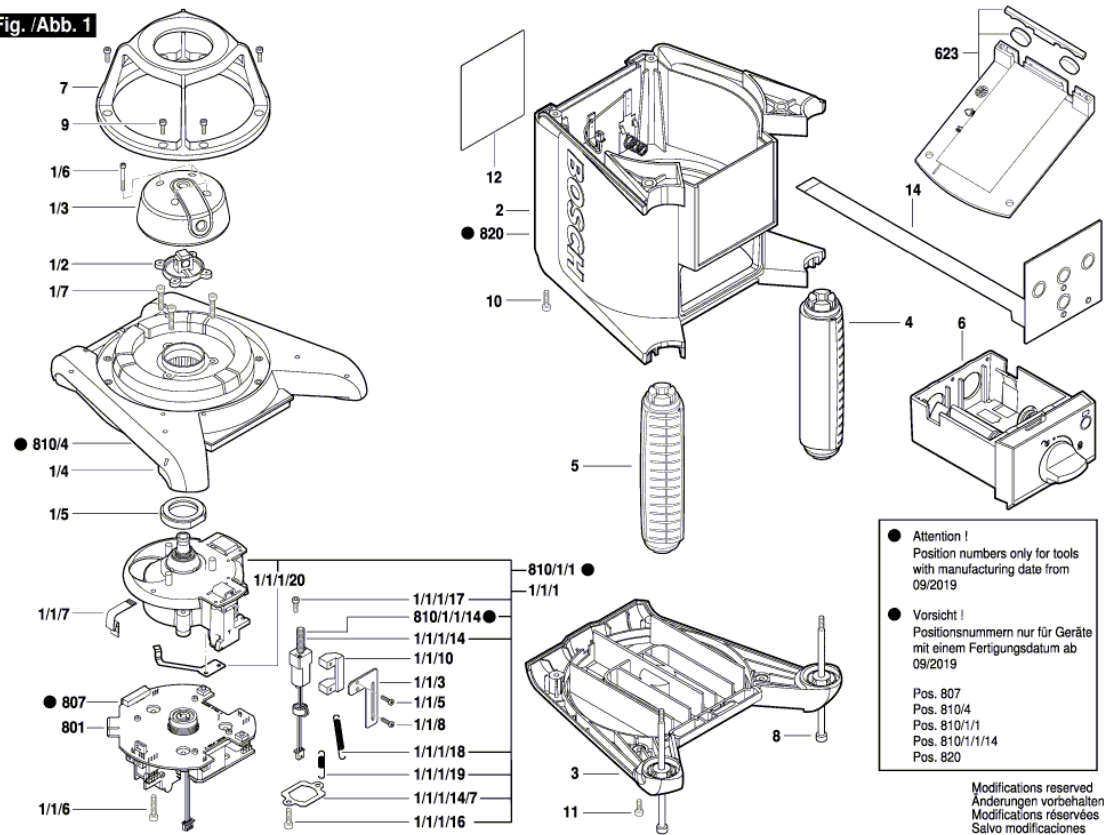
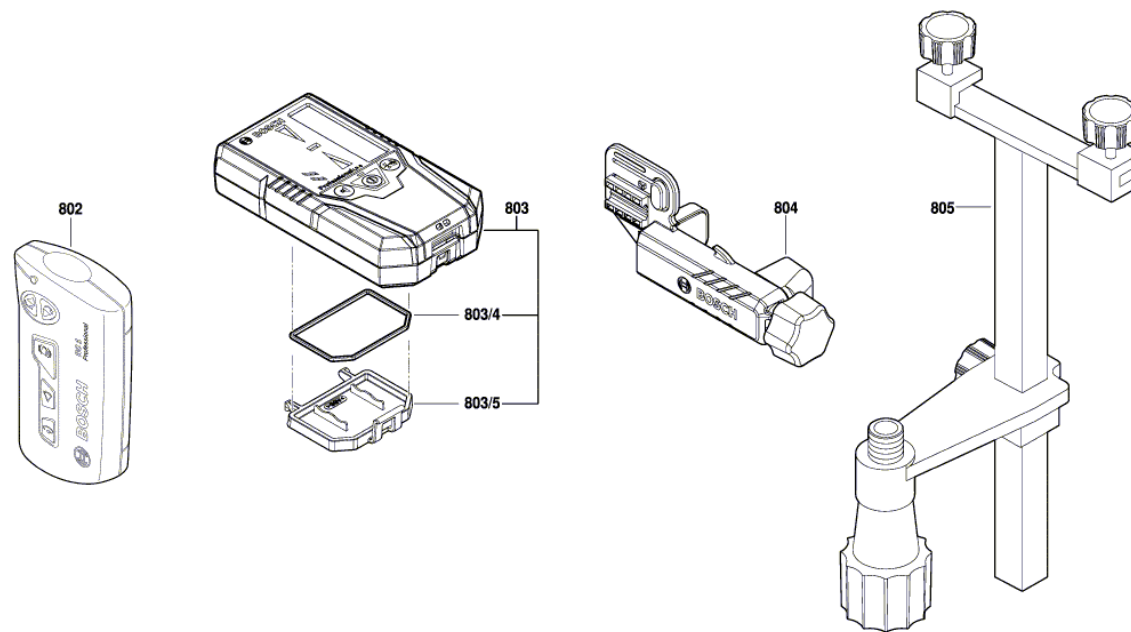


Illustration - Type - E

3 601 K61 N10  
Issue | 19-06  
Stand | 19-07-04 **Fig. /Abb. 2**



Modifications reserved  
Änderungen vorbehalten  
Modifications réservées  
Salvo modificaciones