

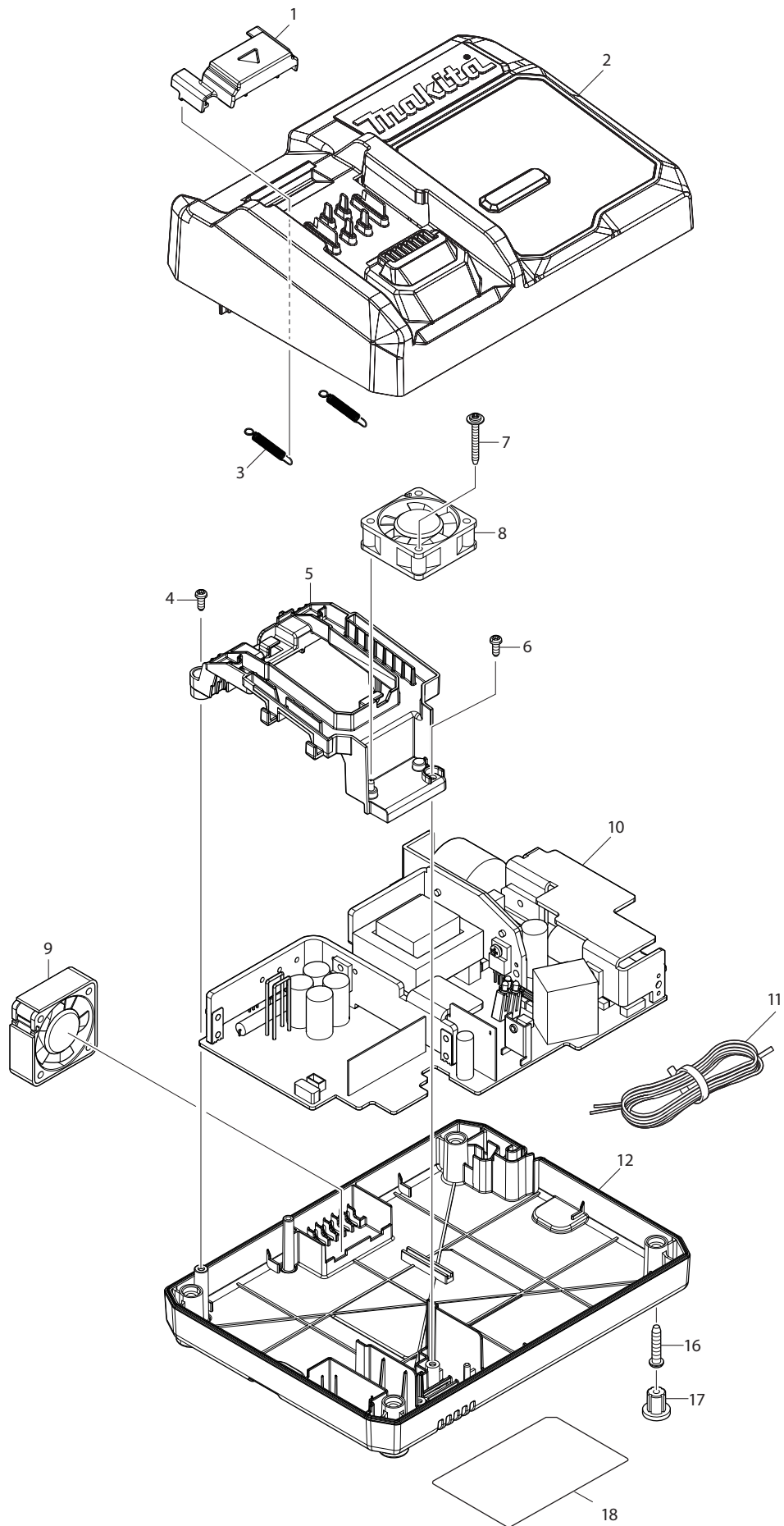
## Model GRJ01Z Parts Liast

A = Standard Equipment

O = Circuit Diagram

Item#	Part#	Description	Q'ty Unit
001	162739-4	SHOE	1 PC.
002	265A78-8	HEX SOCKET HEAD BOLT M4X40	2 PC.
003	326599-0	LOCK PIN	1 PC.
004	252126-6	HEX. LOCKING NUT M4-7	2 PC.
005	347637-5	SHOE GUIDE PLATE	1 PC.
006	459924-1	LOCK LEVER	1 PC.
007	422542-8	INSULATION COVER	1 PC.
008	459923-3	RELEASE DRUM	1 PC.
009	257430-8	RETAINING RING(EXT)18	1 PC.
010	310848-5	DRIVING SLEEVE	1 PC.
011	268094-3	PIN 3	1 PC.
012	327650-9	GUIDE SLEEVE	1 PC.
013	234381-2	COMPRESSION SPRING 6	1 PC.
014	256569-4	SHOULDER PIN 5	1 PC.
015	310912-2	PUSH PIN	1 PC.
016	232472-3	COMPRESSION SPRING 2	1 PC.
017	458968-8	CONNECTING SLEEVE	1 PC.
018	233594-2	TORSION SPRING 17	1 PC.
019	422309-4	RUBBER RING 25	1 PC.
020	140P52-6	SLIDER GUIDE COMPLETE	1 PC.
	C10 213174-0	X RING 14	1 PC.
021	327652-5	SLIDER	1 PC.
022	256945-2	PIN 6	1 PC.
023	310991-0	ROLLER	2 PC.
024	265374-8	H.S. BUTTON HEAD SCREW M5X12	1
025	253462-3	FLAT WASHER 5	1 PC.
026	140P53-4	GEAR COMPLETE	1 PC.
027	253463-1	FLAT WASHER 51	1 PC.
028	136224-3	SLIDER ASS'Y	1 PC.
	D10	INC. 9-21	
029	922128-3	HEX. SOCKET HEAD BOLT M4X16	6 PC.
030	232583-4	TENSION SPRING 3	1 PC.
031	620C32-5	LED CIRCUIT	1 PC.
032	140W37-4	GEAR HOUSING R COMPLETE	1 PC.
033	424858-7	FELT 16X16	1 PC.
034	422541-0	SEAL RING	1 PC.
035	140W36-6	GEAR HOUSING L COMPLETE	1 PC.
036	911206-4	PAN HEAD SCREW M5X10	2 PC.
037	127468-6	HOOK ASSEMBLY	1 PC.
038	266326-2	TAPPING SCREW 4X18	6 PC.
039	183N57-1	HANDLE SET	1 SET
	D10	INC. 57	
040	961052-5	RETAINING RING S-12	1 PC.
041	211129-9	BALL BEARING 6201DDW	1 PC.
042	253744-3	FLAT WASHER 12	1 PC.
043	285038-8	BEARING RETAINER 80	1 PC.
044	510447-5	ROTOR ASS'Y	1 PC.
	D10	INC. 40-43,45	
045	211021-9	BALL BEARING 607ZZ	1 PC.

046	922117-8	HEX. SOCKET HEAD BOLT M4X12	2 PC.
047	266425-0	TAPPING SCREW 4X45	2 PC.
048	456178-1	BAFFLE PLATE	1 PC.
049	263002-9	RUBBER PIN 4	1 PC.
050	629470-0	STATOR	1 PC.
051	264002-2	SQUARE NUT M5	2 PC.
052	412476-3	MOTOR HOUSING	1 PC.
053	911243-8	PAN HEAD SCREW M5X25	4 PC.
054	456177-3	CHANGE BUTTON	1 PC.
055	651439-6	SWITCH C3JR-4B-2	1 PC.
056	620C31-7	CONTROLLER	1 PC.
057	183N57-1	HANDLE SET	1 SET
	D10	INC. 39	
058	8005T5-8	XGT LOGO LABEL	1 PC.
059	856P38-7	GRJ01 NAME PLATE	1 PC.
060	183N58-9	BATTERY HOUSING SET	1 SET
	C10	263005-3	RUBBER PIN 6
	D10	INC. 64	
061	266326-2	TAPPING SCREW 4X18	2 PC.
062	422543-6	CUSHION RUBBER	2 PC.
063	632P75-3	TERMINAL UNIT	1 PC.
064	183N58-9	BATTERY HOUSING SET	1 SET
	C10	263005-3	RUBBER PIN 6
	D10	INC. 60	
065	856P45-0	GRJ01 SERIAL NO. LABEL	1 PC.
066	8008P3-2	CLEAR LABEL	1 PC.
A01	B-05038	RECIPRO SAW BLADE FOR METAL	1 SET
A02	B-05044	RECIPRO SAW BLADE FOR PLYWOOD	1 SET
A03	B-05153	RECIPRO SAW BLADE FOR WOOD	1 SET



## Model DC40RA Parts List

A = Standard Equipment

O = Circuit Diagram

Item#	Part#	Description	Q'ty	Unit
001	459475-4	TERMINAL COVER	1	PC.
002	140N46-9	CHARGER CASE COMPLETE	1	PC.
	C10 459476-2	LENS	1	PC.
	C20 819V01-7	CHARGING CONDITION LABEL	1	PC.
003	232565-6	TENSION SPRING 4	2	PC.
004	265B02-7	TAPPING SCREW 3X8	1	PC.
005	459474-6	TERMINAL BASE	1	PC.
006	265B02-7	TAPPING SCREW 3X8	1	PC.
007	265A61-5	TAPPING SCREW FLANGE 3X25	1	PC.
008	632P24-0	FAN 40	1	PC.
009	632P25-8	FAN 40	1	PC.
010	620B41-8	CHARGING CIRCUIT	1	PC.
010	C11 647075-4	VARISTOR	1	PC.
	C20 652089-0	FUSE	1	PC.
011	667982-5	VINYL CORD #18-2-2.0	1	PC.
012	459846-5	CHARGER CASE COVER	1	PC.
016	265B01-9	TAPPING SCREW PT 4X20	4	PC.
017	286255-3	CAP 13	4	PC.
018	857F48-7	DC40RA NAME PLATE	1	PC.
E01	819V02-5	CAUTION LABEL	1	PC.