

## Model GRH05Z Parts List

A = Standard Equipment

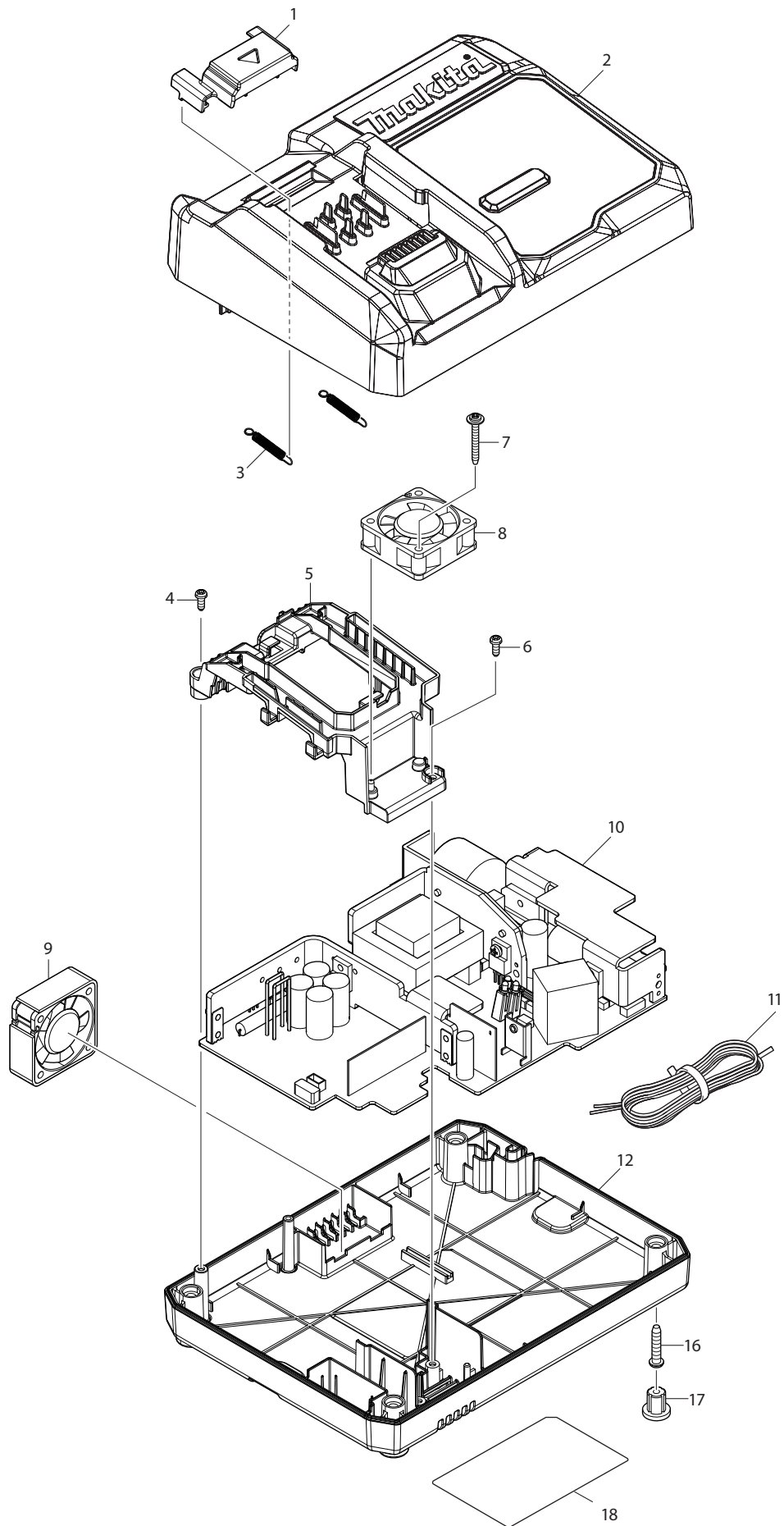
O = Circuit Diagram

Item#	Part#	Description	Q'ty	Unit
1	286292-7	TOOL HOLDER CAP	1	PC.
2	233948-3	RING SPRING 25	1	PC.
3	257308-5	RING 28	1	PC.
4	454330-5	CHUCK COVER	1	PC.
5	262167-4	RUBBER RING 30	1	PC.
6	326272-2	CHUCK RING	1	PC.
7	454331-3	RELEASE COVER	1	PC.
8	310257-8	TOOL RETAINER	2	PC.
9	346670-4	SPRING GUIDE	1	PC.
10	234288-2	COMPRESSION SPRING 46	1	PC.
11	346670-4	SPRING GUIDE	1	PC.
12	424560-2	HOUSING CAP	1	PC.
13	922351-0	HEX. SOCKET HEAD BOLT M6X30	4	PC.
14	141957-7	HOUSING COVER A COMPLETE	1	PC.
	C10 810100-6	CAUTION LABEL	1	PC.
15	213615-6	O RING 46	1	PC.
16	141956-9	BARREL COMPLETE	1	PC.
	C10 213490-0	OIL SEAL 32	1	PC.
	C20 213492-6	O-RING 32	1	PC.
	C30 233963-7	RING SPRING 45	1	PC.
17	454337-1	LOCK SLEEVE	1	PC.
18	234290-5	RING SPRING 59	1	PC.
19	213707-1	O RING 65	1	PC.
20	267469-3	FLAT WASHER 32	1	PC.
21	262168-2	RUBBER RING 32	1	PC.
22	267469-3	FLAT WASHER 32	1	PC.
23	326268-3	TOOL HOLDER	1	PC.
24	213317-4	O RING 20	2	PC.
25	213392-0	FLUORIDE RING 25	2	PC.
26	136377-8	IMPACT BOLT ASSY	1	PC.
	D10	INC. 24,25		
27	326274-8	RING 17	1	PC.
28	262166-6	RUBBER RING 18	1	PC.
29	454347-8	SLIDE SLEEVE	1	PC.
30	326270-6	STRIKER	1	PC.
31	213695-2	O-RING 22	1	PC.
32	234289-0	COMPRESSION SPRING 33	1	PC.
33	346673-8	GUIDE RING	1	PC.
34	256548-2	FLAT FILLISTER HEAD PIN 6	1	PC.
35	346671-2	LINK PLATE	1	PC.
36	313255-1	DRIVING SLEEVE	1	PC.
37	257991-8	RETAINING RING (EXT) WR-32.5	1	PC.
38	257340-9	RING 33	1	PC.
39	267470-8	FLAT WASHER 33	1	PC.
40	234287-4	COMPRESSION SPRING 34	1	PC.
41	267470-8	FLAT WASHER 33	1	PC.
42	136378-6	CYLINDER ASSY	1	PC.
	D10	INC. 37-41,43,44		
43	257991-8	RETAINING RING (EXT) WR-32.5	1	PC.

44	213406-5	O RING 30	3 PC.
45	256197-5	PIN 7	1 PC.
46	419004-5	PISTON	1 PC.
47	213379-2	O RING 21	1 PC.
48	213695-2	O-RING 22	1 PC.
49	454317-7	CONNECTING ROD	1 PC.
50	227613-4	SPIRAL BEVEL GEAR 26	1 PC.
51	265995-6	TAPPING SCREW 4X18	1 PC.
52	454326-6	CHANGE LEVER	1 PC.
53	313325-6	CRANK CAP COVER	1
54	454345-2	CRANK LEVER	1 PC.
55	213262-3	O RING 18	1 PC.
56	424556-3	FILTER CAP	1 PC.
57	443182-9	FILTER	1 PC.
58	454319-3	CRANK CAP	1 PC.
59	911128-8	P.H.SCREW M4X16 WITH WR	6 PC.
60	424559-7	SEAL RING B	1 PC.
61	232280-2	LEAF SPRING	1 PC.
62	458100-4	LINK LEVER	1 PC.
63	911511-9	PAN HEAD SCREW M4X10	1 PC.
64	233603-7	TORSION SPRING 7	1 PC.
65	454338-9	LINK GUIDE	1 PC.
66	141953-5	CRANK HOUSING A COMPLETE	1 PC.
67	266041-8	TAPPING SCREW 5X25	4 PC.
68	140Y51-2	SPRING HOLDER COMPLETE	1 PC.
	C10 422646-6	CAP 10	2 PC.
69	234282-4	COMPRESSION SPRING 12	2 PC.
70	911128-8	P.H.SCREW M4X16 WITH WR	4 PC.
71	126290-8	TORQUE LIMITER ASSEMBLY	1 PC.
	D10	INC. 72-79	
72	254239-9	KEY 4	2 PC.
73	227612-6	SPIRAL BEVEL GEAR 7	1 PC.
74	211232-6	BALL BEARING 6002LLU	1 PC.
75	141959-3	TORQUE LIMITER COMPLETE	1 PC.
76	324727-1	SHOULDER WASHER 8	1 PC.
77	210005-4	BALL BEARING 608DDW	1 PC.
78	253215-0	FLAT WASHER 8	1 PC.
79	961004-6	RETAINING RING S-8	1 PC.
80	326271-4	CRANK SHAFT	1 PC.
81	210183-0	BALL BEARING 6004LLU	1 PC.
82	961060-6	RETAINING RING S-20	1 PC.
83	227772-4	HELICAL GEAR 37	1 PC.
84	253180-3	FLAT WASHER 10	1 PC.
85	424558-9	SEAL RING A	1 PC.
86	141955-1	GEAR HOUSING COMPLETE	1 PC.
87	454342-8	SPRING PLATE	2 PC.
88	234286-6	COMPRESSION SPRING 11	2 PC.
89	326273-0	COUNTER WEIGHT	2 PC.
90	234286-6	COMPRESSION SPRING 11	2 PC.
91	213325-5	O RING 19	2 PC.
92	142289-5	HOLDER COMPLETE	2 PC.
93	213231-4	OIL SEAL 15	1 PC.
94	331596-3	SLEEVE 12	1 PC.
95	211129-9	BALL BEARING 6201LLU	1 PC.
96	253744-3	FLAT WASHER 12	1 PC.
97	519492-7	ROTOR ASS'Y	1 PC.

	D10	INC. 94-96,98	
98	210005-4	BALL BEARING 608DDW	1 PC.
99	265999-8	TAPPING SCREW 4X25	2 PC.
100	458099-3	BAFFLE PLATE	1 PC.
101	629335-6	STATOR	1 PC.
102	632R64-0	LEAD UNIT	1
103	652031-1	PAN HEAD SCREW M3X6	3 PC.
104	620D76-1	CONTROLLER B	1 PC.
105	687B69-9	STOPPER	1 PC.
106	266490-9	TAPPING SCREW PT 2X6	3 PC.
107	454348-6	GUARD 40	1 PC.
108	265999-8	TAPPING SCREW 4X25	2 PC.
109	267721-9	WAVE WASHER 15	1 PC.
110	458051-1	MOTOR HOUSING	1 PC.
111	256380-4	SHOULDER PIN 4-6	2 PC.
112	347299-9	GUIDE PLATE	1 PC.
113	922111-0	HEX. SOCKET HEAD BOLT M4X10	4 PC.
114	412951-9	BASE	1 PC.
115	232643-2	TORSION SPRING 13	1
116	140W56-0	LEVER COMPLETE	1 PC.
117	263046-9	TAPPING SCREW 3X14	2 PC.
118	620D75-3	SENSOR CIRCUIT	1
119	265995-6	TAPPING SCREW 4X18	2 PC.
120	620796-3	DIAL CIRCUIT	1 PC.
121	140W55-2	MOTOR HOUSING COVER COMPLET	1 PC.
	C10	422730-7	SPONGE SHEET
122	265999-8	TAPPING SCREW 4X25	2 PC.
123	265999-8	TAPPING SCREW 4X25	4 PC.
124	183R84-2	HOUSING SET	1 SET
	D10	INC. 143	
125	232411-3	COMPRESSION SPRING 8	1 PC.
126	620549-0	LED CIRCUIT	1 PC.
127	620D73-7	CONTROLLER	1 PC.
128	620D74-5	ACCELEROMETER CIRCUIT	1 PC.
129	422472-3	SPONGE SLEEVE 3	4 PC.
130	256886-2	ROD 3	2 PC.
131	422642-4	CUSHION RUBBER	1
132	232650-5	COMPRESSION SPRING 13	1
133	183R85-0	BATTERY HOLDER SET	1
	C10	263005-3	RUBBER PIN 6
	D10	INC. 136	
134	346039-2	SUPPORT PLATE	1 PC.
135	632P49-4	TERMINAL UNIT	1 PC.
136	183R85-0	BATTERY HOLDER SET	1
	C10	263005-3	RUBBER PIN 6
	D10	INC. 133	
137	265995-6	TAPPING SCREW 4X18	2 PC.
138	232152-1	LEAF SPRING	1 PC.
139	412953-5	TRIGGER LOCK	1 PC.
140	458097-7	SWITCH LEVER	1 PC.
141	232418-9	COMPRESSION SPRING 5	1 PC.
142	651083-9	SWITCH C3XA-1PSPM	1 PC.
143	183R84-2	HOUSING SET	1 SET
	D10	INC. 124	
144	140F99-0	CAP COMPLETE	1 PC.
	C10	213218-6	O RING 16

C20	818H07-8	CAP LABEL	1 PC.
145	265995-6	TAPPING SCREW 4X18	8 PC.
146	8012U4-2	XGT LOGO LABEL	1
147	857X75-2	GRH05 SERIAL NO. LABEL	1
148	857X70-2	GRH05 NAME PLATE	1
A01	123138-5	SIDE GRIP ASSEMBLY	1 PC.
A02	196792-8	SIDE HANDLE 73 SET	1 PC.
A03	194683-7	GREASE VESSEL SET	1 PC.
A04	821837-0	PLASTIC CASE	1
A05	331955-1	DEPTH GAUGE	1 PC.
A06	443122-7	CLOTH	1 PC.



## Model DC40RA Parts List

A = Standard Equipment

O = Circuit Diagram

Item#	Part#	Description	Q'ty	Unit
001	459475-4	TERMINAL COVER	1	PC.
002	140N46-9	CHARGER CASE COMPLETE	1	PC.
	C10 459476-2	LENS	1	PC.
	C20 819V01-7	CHARGING CONDITION LABEL	1	PC.
003	232565-6	TENSION SPRING 4	2	PC.
004	265B02-7	TAPPING SCREW 3X8	1	PC.
005	459474-6	TERMINAL BASE	1	PC.
006	265B02-7	TAPPING SCREW 3X8	1	PC.
007	265A61-5	TAPPING SCREW FLANGE 3X25	1	PC.
008	632P24-0	FAN 40	1	PC.
009	632P25-8	FAN 40	1	PC.
010	620B41-8	CHARGING CIRCUIT	1	PC.
010	C11 647075-4	VARISTOR	1	PC.
	C20 652089-0	FUSE	1	PC.
011	667982-5	VINYL CORD #18-2-2.0	1	PC.
012	459846-5	CHARGER CASE COVER	1	PC.
016	265B01-9	TAPPING SCREW PT 4X20	4	PC.
017	286255-3	CAP 13	4	PC.
018	857F48-7	DC40RA NAME PLATE	1	PC.
E01	819V02-5	CAUTION LABEL	1	PC.