

Model GRH02Z Parts List

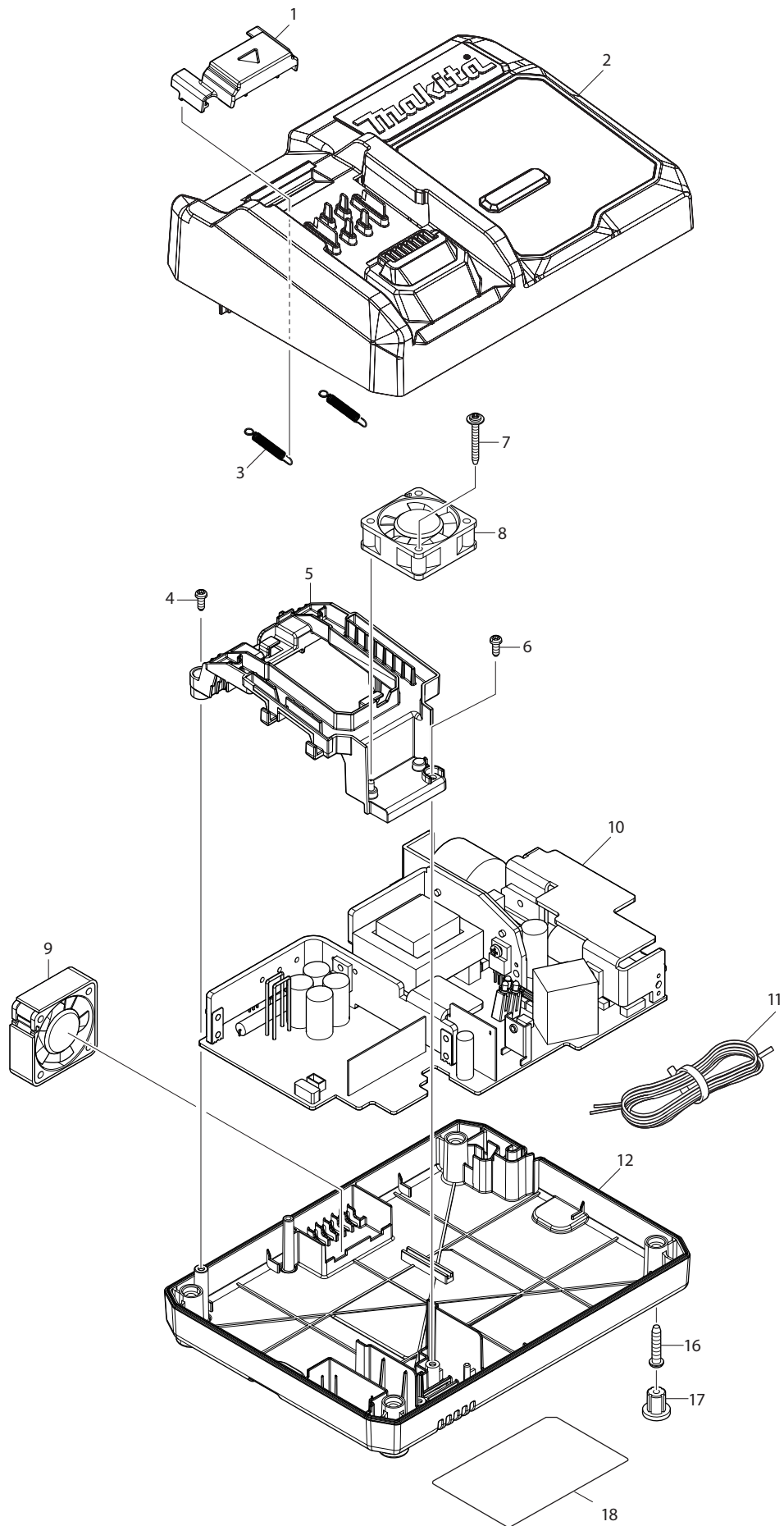
A = Standard Equipment

O = Circuit Diagram

| Item# | Part# | Description | Q'ty Unit |
|-------|--------------|------------------------------|-----------|
| 001 | 199134-5 | TOOL HOLDER SET | 1 PC. |
| | D10 | INC. 123-142 | |
| 010 | 126882-3 | GRIP ASSEMBLY | 1 PC. |
| | D10 | INC. 11-19 | |
| 011 | 144959-2 | LOCK BUTTON COMPLETE | 1 PC. |
| 012 | 233360-7 | COMPRESSION SPRING 4 | 1 PC. |
| 013 | 265625-9 | THUMB SCREW M6X50 | 1 PC. |
| 014 | 422258-5 | SPONGE SHEET | 1 PC. |
| 015 | 458355-1 | SIDE HANDLE BASE | 1 PC. |
| 016 | 931302-2 | HEX. NUT M6 | 1 PC. |
| 017 | 458357-7 | GRIP 36 | 1 PC. |
| 018 | 422255-1 | CAP | 1 PC. |
| 019 | 161838-9 | FIX PIN | 1 PC. |
| 020 | 266351-3 | TAPPING SCREW 4X35 | 4 PC. |
| 021 | 144965-7 | GEAR HOUSING COMPLETE | 1 PC. |
| | C10 213345-9 | OIL SEAL 25 | 1 PC. |
| | C20 331890-3 | CUP SLEEVE | 1 PC. |
| 022 | 211294-4 | BALL BEARING 6806LLU | 1 PC. |
| 023 | 211012-0 | BALL BEARING 606ZZ | 1 PC. |
| 024 | 233360-7 | COMPRESSION SPRING 4 | 1 PC. |
| 025 | 347228-2 | LOCK PLATE | 1 PC. |
| 026 | 213278-8 | O RING 17 | 1 PC. |
| 027 | 135961-6 | CHANGE LEVER ASSY | 1 PC. |
| | D10 | INC. 26 | |
| 028 | 234264-6 | COMPRESSION SPRING 3 | 1 PC. |
| 029 | 457709-9 | LOCK BUTTON | 1 PC. |
| 031 | 216019-1 | STEEL BALL 3 | 4 PC. |
| 032 | 144966-5 | TOOL HOLDER GUIDE COMPLETE | 1 PC. |
| | C10 213344-1 | OIL SEAL 9 | 1 PC. |
| 033 | 332139-4 | DRIVING FLANGE | 1 PC. |
| 034 | 227360-7 | SPUR GEAR 51 | 1 PC. |
| 035 | 234148-8 | COMPRESSION SPRING 31 | 1 PC. |
| 036 | 267153-0 | FLAT WASHER 30 | 1 PC. |
| 037 | 257932-4 | SPIRO LOCK WASHER 30 | 1 PC. |
| 038 | 267153-0 | FLAT WASHER 30 | 1 PC. |
| 039 | 325783-4 | SLEEVE 9B | 1 PC. |
| 040 | 325791-5 | IMPACT BOLT B | 1 PC. |
| 041 | 325792-3 | WASHER 10 | 1 PC. |
| 042 | 234149-6 | COMPRESSION SPRING 20 | 1 PC. |
| 043 | 325793-1 | O-RING CASE B | 1 PC. |
| 044 | 213073-6 | O RING 9 | 1 PC. |
| 045 | 233979-2 | RING SPRING 28 | 1 PC. |
| 046 | 325784-2 | STRIKER | 1 PC. |
| 047 | 213258-4 | O RING 17.5 | 1 PC. |
| 048 | 327079-9 | PISTON CYLINDER | 1 PC. |
| 049 | 346036-8 | GUIDE PLATE | 1 PC. |
| 050 | 324215-8 | PISTON JOINT | 1 PC. |
| 051 | 232449-8 | COMPRESSION SPRING 14 | 1 PC. |
| 052 | 265A87-7 | TORX SOCKET BUTTON BOLT M4X8 | 1 PC. |

| | | | |
|-----|----------|-------------------------------|---------------|
| 053 | 347344-0 | SPRING GUIDE | 1 PC. |
| 054 | 922148-7 | HEX. SOCKET HEAD BOLT M4X25 | 2 PC. |
| 055 | 144960-7 | INNER SUPPORT COMPLETE | 1 PC. |
| 056 | 257336-0 | STOP RING EXT U-6 | 1 PC. |
| 057 | 253186-1 | FLAT WASHER 7 | 1 PC. |
| 058 | 226170-9 | SPUR GEAR 10 | 1 PC. |
| 059 | 332125-5 | CLUTCH CAM | 2 PC. |
| 060 | 327078-1 | CAM SHAFT | 1 PC. |
| 061 | 219030-2 | SWASH BEARING 10 | 1 PC. |
| 062 | 257321-3 | RING 8 | 1 PC. |
| 063 | 346538-4 | WEIGHT HOLDER GUIDE | 2 PC. |
| 064 | 253077-6 | FLAT WASHER 6 | 1 PC. |
| 065 | 961018-5 | STOP RING E-5 | 1 PC. |
| 066 | 310869-7 | COUNTER WEIGHT | 1 PC. |
| 067 | 922148-7 | HEX. SOCKET HEAD BOLT M4X25 | 2 PC. |
| 068 | 319674-9 | BEARING BOX | 1 PC. |
| 069 | 211031-6 | BALL BEARING 608ZZ | 1 PC. |
| 070 | 347343-2 | BEARING RETAINER B | 1 PC. |
| 071 | 221599-4 | SPIRAL BEVEL GEAR 32 | 1 PC. |
| 072 | 213850-6 | O-RING 74 | 1 PC. |
| 073 | 256536-9 | FLAT FILLISTER HD PIN 6 | 1 PC. |
| 074 | 136194-6 | INNER HOUSING ASS'Y | 1 PC. |
| | D10 | INC. 52,53,72,76,78 | |
| 075 | 232436-7 | COMPRESSION SPRING 10 | 1 PC. |
| 076 | 443153-6 | FELT | 1 PC. |
| 077 | 922118-6 | HEX. SOCKET HEAD BOLT M4X12 | 2 PC. |
| 078 | 213008-7 | O RING 22.4 | 1 PC. |
| 079 | 347230-5 | CHANGE PLATE B | 1 PC. |
| 080 | 234343-0 | COMPRESSION SPRING 5 | 1 PC. |
| 081 | 347229-0 | CHANGE PLATE A | 1 PC. |
| 082 | 346536-8 | BEARING RETAINER A | 1 PC. |
| 083 | 144964-9 | SPIRAL BEVEL GEAR 11 COMPLETE | 1 PC. |
| 084 | 211395-8 | BALL BEARING 608LLU | 1 PC. |
| 085 | 253835-0 | FLAT WASHER 8 | 1 PC. |
| 086 | 519513-5 | ROTOR ASSY | 1 PC. |
| | D10 | INC. 83-85,87 | |
| 087 | 210022-4 | BALL BEARING 626DDW | 1 PC. |
| 088 | 629454-8 | STATOR | 1 PC. |
| 089 | 652069-6 | FLAT HEAD SCREW M3X6 | 3 PC. |
| 090 | 266490-9 | TAPPING SCREW PT 2X6 | 3 PC. |
| 091 | 620B98-9 | CONTROLLER | 1 PC. |
| 094 | 140G30-2 | CAP COMPLETE | 1 PC. |
| | C10 | 213218-6 | O RING 16 |
| | C20 | 818H48-4 | CAP LABEL |
| 097 | 127344-4 | HOOK ASS'Y | 1 PC. |
| 098 | 911211-1 | PAN HEAD SCREW M5X12 | 2 PC. |
| 099 | 620C01-6 | SENSOR CIRCUIT | 1 PC. |
| 100 | 266007-8 | TAPPING SCREW BIND PT 3X10 | 1 PC. |
| 101 | 256886-2 | ROD 3 | 2 PC. |
| 102 | 422472-3 | SPONGE SLEEVE 3 | 4 PC. |
| 103 | 264002-2 | SQUARE NUT M5 | 2 PC. |
| 104 | 459184-5 | CUSHION RING 12 | 2 PC. |
| 105 | 183P00-2 | HOUSING SET | 1 SET |
| | C10 | 8008C5-7 | CAUTION LABEL |
| | D10 | INC. 112 | |
| 106 | 266326-2 | TAPPING SCREW 4X18 | 8 PC. |

| | | | |
|-----|--------------|----------------------------|-------|
| 107 | 856N36-9 | GRH02 NAME PLATE | 1 PC. |
| 108 | 8008C4-9 | CLEAR LABEL | 1 PC. |
| 109 | 620C00-8 | ACCELEROMETER CIRCUIT | 1 PC. |
| 110 | 346039-2 | SUPPORT PLATE | 1 PC. |
| 111 | 620549-0 | LED CIRCUIT | 1 PC. |
| 112 | 183P00-2 | HOUSING SET | 1 SET |
| | C10 8008C5-7 | CAUTION LABEL | 1 PC. |
| | D10 | INC. 105 | |
| 113 | 233598-4 | TORSION SPRING 6 | 1 PC. |
| 114 | 313226-8 | OPENER | 1 PC. |
| 115 | 632P64-8 | TERMINAL UNIT | 1 PC. |
| 116 | 856N42-4 | GRH02 SERIAL NO. LABEL | 1 PC. |
| 117 | 266326-2 | TAPPING SCREW 4X18 | 7 PC. |
| 118 | 183N52-1 | HANLDE SET | 1 SET |
| | C10 263005-3 | RUBBER PIN 6 | 2 PC. |
| | D10 | INC. 122 | |
| 119 | 453124-5 | F/R CHANGE LEVER | 1 PC. |
| 120 | 651439-6 | SWITCH C3JR-4B-2 | 1 PC. |
| 121 | 8005T5-8 | XGT LOGO LABEL | 1 PC. |
| 122 | 183N52-1 | HANLDE SET | 1 SET |
| | C10 263005-3 | RUBBER PIN 6 | 2 PC. |
| | D10 | INC. 118 | |
| 123 | 286288-8 | CAP 35 | 1 PC. |
| 124 | 233989-9 | RING SPRING 14 | 1 PC. |
| 125 | 346221-3 | WASHER 16 | 1 PC. |
| 126 | 233992-0 | RING SPRING 15 | 1 PC. |
| 127 | 267437-6 | FLAT WASHER 17 | 1 PC. |
| 128 | 424364-2 | RUBBER WASHER 16 | 1 PC. |
| 129 | 458358-5 | CHUCK COVER | 1 PC. |
| 130 | 327081-2 | STOPPER | 1 PC. |
| 131 | 216022-2 | STEEL BALL 7.0 | 2 PC. |
| 132 | 346177-0 | GUIDE WASHER | 1 PC. |
| 133 | 233916-6 | CONICAL COMP. SPRING 21-29 | 1 PC. |
| 134 | 327080-4 | TOOL HOLDER | 1 PC. |
| 135 | 216013-3 | STEEL BALL 6 | 2 PC. |
| 136 | 231669-1 | TORSION SPRING 31 | 1 PC. |
| 137 | 345334-7 | CHANGE RING | 1 PC. |
| 138 | 418218-3 | CHANGE COVER | 1 PC. |
| 139 | 216018-3 | STEEL BALL 5.0 | 1 PC. |
| 140 | 345335-5 | LEAF SPRING | 1 PC. |
| 141 | 267270-6 | FLAT WASHER 24 | 1 PC. |
| 142 | 233924-7 | RING SPRING 21 | 1 PC. |
| 143 | 135965-8 | TOOL HOLDER ASSY | 1 PC. |
| | D10 | INC. 31-45 | |
| A01 | 331886-4 | DEPTH GAUGE | 1 PC. |
| A02 | 194683-7 | GREASE VESSEL SET | 1 PC. |
| A03 | 443122-7 | CLOTH | 1 PC. |
| A04 | 199139-5 | DRILL CHUCK SET | 1 PC. |



Model DC40RA Parts List

A = Standard Equipment

O = Circuit Diagram

| Item# | Part# | Description | Q'ty | Unit |
|-------|--------------|---------------------------|------|------|
| 001 | 459475-4 | TERMINAL COVER | 1 | PC. |
| 002 | 140N46-9 | CHARGER CASE COMPLETE | 1 | PC. |
| | C10 459476-2 | LENS | 1 | PC. |
| | C20 819V01-7 | CHARGING CONDITION LABEL | 1 | PC. |
| 003 | 232565-6 | TENSION SPRING 4 | 2 | PC. |
| 004 | 265B02-7 | TAPPING SCREW 3X8 | 1 | PC. |
| 005 | 459474-6 | TERMINAL BASE | 1 | PC. |
| 006 | 265B02-7 | TAPPING SCREW 3X8 | 1 | PC. |
| 007 | 265A61-5 | TAPPING SCREW FLANGE 3X25 | 1 | PC. |
| 008 | 632P24-0 | FAN 40 | 1 | PC. |
| 009 | 632P25-8 | FAN 40 | 1 | PC. |
| 010 | 620B41-8 | CHARGING CIRCUIT | 1 | PC. |
| 010 | C11 647075-4 | VARISTOR | 1 | PC. |
| | C20 652089-0 | FUSE | 1 | PC. |
| 011 | 667982-5 | VINYL CORD #18-2-2.0 | 1 | PC. |
| 012 | 459846-5 | CHARGER CASE COVER | 1 | PC. |
| 016 | 265B01-9 | TAPPING SCREW PT 4X20 | 4 | PC. |
| 017 | 286255-3 | CAP 13 | 4 | PC. |
| 018 | 857F48-7 | DC40RA NAME PLATE | 1 | PC. |
| E01 | 819V02-5 | CAUTION LABEL | 1 | PC. |