

Universal Angle Polisher - 0 601 366 741 - GPO 12 ...

www.powertools-aftersaleservice.com



BOSCH

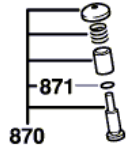
Item	Part Number	Description	Illustration	Price	Quantity	Price Group
	1 3 605 108 129	Motor Housing BLUE	1	-,-	1	32
	2 1 604 220 355	Field 110-120V	1	-,-	1	33
3/50	1 606 610 126	Fan	1	-,-	1	20
	4 1 607 200 080	Switch	1	-,-	1	35
	5 1 604 460 201	Power supply cord GB 110V 4,15m 2 x 1,5mm H07 RN-F	1	-,-	1	34
	6 3 600 703 011	Grommet Ø9,2-Ø12x120 MM	1	-,-	1	13
	7 1 601 302 013	Fastening Clamp	1	-,-	1	11
	9 3 601 110 188	Manufacturer's nameplate	1	-,-	1	15
	13 2 600 905 032	Ball Bearing 7x19x6	1	-,-	1	17
	14 3 600 905 131	groove ball bearing 9x26x8	1	-,-	1	23
	17 1 604 652 006	Spiral Spring	1	-,-	2	11
	20 2 910 211 019	Tapping Screw DIN 7971-ST3,9x16-F	1	-,-	4	10
	21 3 600 421 002	Air-Deflector Ring	1	-,-	1	14
	24 3 605 132 062	Handle BLACK	1	-,-	1	27
	25 1 602 388 029	Storage Ledge BLACK	1	-,-	1	11
	27 1 600 206 026	Intermediate Ring	1	-,-	1	11
	28 1 600 502 011	Intermediate Ring	1	-,-	1	11
	30 1 601 030 022	Tab Washer	1	-,-	2	11
	32 3 606 333 052	Crown Gear Z=59	1	-,-	1	43
	34 1 600 190 020	Shim 0,15 MM THICK	1	-,-	1	11
	34 1 600 190 021	Shim 0,3 MM THICK	1	-,-	1	11
	34 1 600 190 022	Shim 0,1 MM THICK	1	-,-	1	11
	34 1 600 190 037	Shim 0,2 MM THICK	1	-,-	1	10
	35 3 600 290 039	Seal Ring	1	-,-	1	18
	36 3 600 200 026	Threaded Ring	1	-,-	1	23
	37 1 600 150 026	Spring Washer	1	-,-	1	14
	38 1 600 119 009	Spring retaining ring	1	-,-	1	11
	40 1 603 523 100	Grinding Spindle M14, SW17	1	-,-	1	26
	42 3 600 905 134	groove ball bearing	1	-,-	1	23
	43 1 600 290 036	Seal Ring BLACK	1	-,-	1	12
	44 1 600 119 010	Retaining clip	1	-,-	1	11
	45 1 600 290 019	Retaining snap ring	1	-,-	1	11
	46 1 600 205 034	Felt Washer	1	-,-	1	11

Item	Part Number	Description	Illustration	Price	Quantity	Price Group
47	1 600 210 033	O-Ring 79,0x1,78 MM	1	-,-	1	11
48	1 603 435 076	Thread-forming tap. Screw	1	-,-	4	10
49	2 912 401 038	Tapping Screw DIN 7981-4,8x38-C-Z-ST	1	-,-	4	10
57	3 601 025 003	Wire Guide	1	-,-	2	11
59	2 910 211 021	Tapping Screw DIN 7971-ST3,9x22-F	1	-,-	3	10
60	2 910 021 118	Socket head cap screw DIN 84-AM4x8-8.8	1	-,-	2	10
61	3 603 435 043	Tapping Screw	1	-,-	4	11
62	3 604 438 028	Connecting Cable	1	-,-	1	16
63	1 604 477 001	Blade terminal	1	-,-	2	11
64	2 603 490 021	Torx Oval-Head Screw 4x12	1	-,-	2	10
65	1 900 452 003	End Splice DIN 46 228-A2,5-7	1	-,-	1	11
66	3 600 707 022	Shrinkable Tube	1	-,-	2	15
67	3 604 438 026	Connecting Cable	1	-,-	1	19
68	3 600 707 022	Shrinkable Tube	1	-,-	2	15
70	3 607 218 002	Speed governor 110-120V	1	-,-	1	40
80	3 601 110 189	Reference Plate CAUTION	1	-,-	1	15
105	1 600 210 045	O-Ring 8,0x1,0 MM	1	-,-	1	11
150	1 900 452 003	End Splice DIN 46 228-A2,5-7	N/A	-,-	1	11
650	3 602 025 017	Auxiliary Handle	2	-,-	1	25
650/20	2 603 481 001	Knurled Thumbscrew M 14	2	-,-	1	13
651	9 618 089 612	Handle Cover	2	-,-	1	25
740	1 601 329 013	Protecting Cover	2	-,-	1	-
766	2 607 001 190	Parts Set	2	-,-	1	-
802	3 604 220 137	Field 110-120V	1	-,-	1	38
803	3 607 031 330	Armature 110-120V	1	-,-	1	51
808	1 601 11A 3H3	Nameplate	1	-,-	1	13
810	3 607 014 012	Carbon-Brush Set	1	-,-	1	31
816	3 604 336 012	Brush Holder	1	-,-	2	18
819	3 605 500 063	Sealing cap BLUE	1	-,-	2	16
831	3 607 000 109	Bearing Flange	1	-,-	1	43
833	3 607 000 079	Bevel Gear Z=6	1	-,-	1	39
839	2 600 910 001	Needle-Roller Bearing Ø14 MM	1	-,-	1	16
840	1 607 000 354	Push-Button	1	-,-	1	19
841	3 607 000 108	Bearing Flange	1	-,-	1	34
857	1 601 025 001	Wire Guide	1	-,-	2	11
862	3 604 438 000	Connecting Cable L=235 MM BLUE	1	-,-	1	13
867	1 604 431 002	Connecting Cable	1	-,-	1	14
870	1 607 000 206	Push-Button BLACK	1	-,-	1	14
871	1 600 210 034	O-Ring 4,0x1,0 MM	1	-,-	1	11
872	1 600 290 020	Seal Ring	1	-,-	1	11

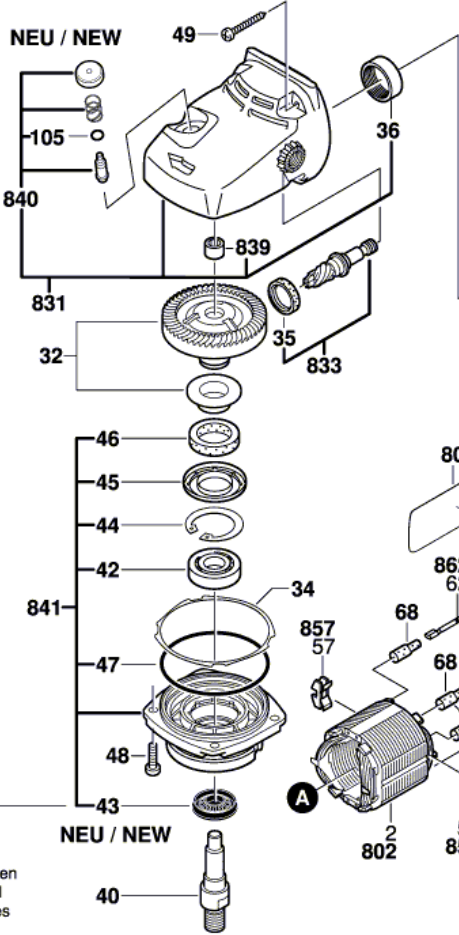
0 601 366 703
 Stand } 06-05
 Issue } 18-01-31

Fig. /Abb. 1

ALT / OLD

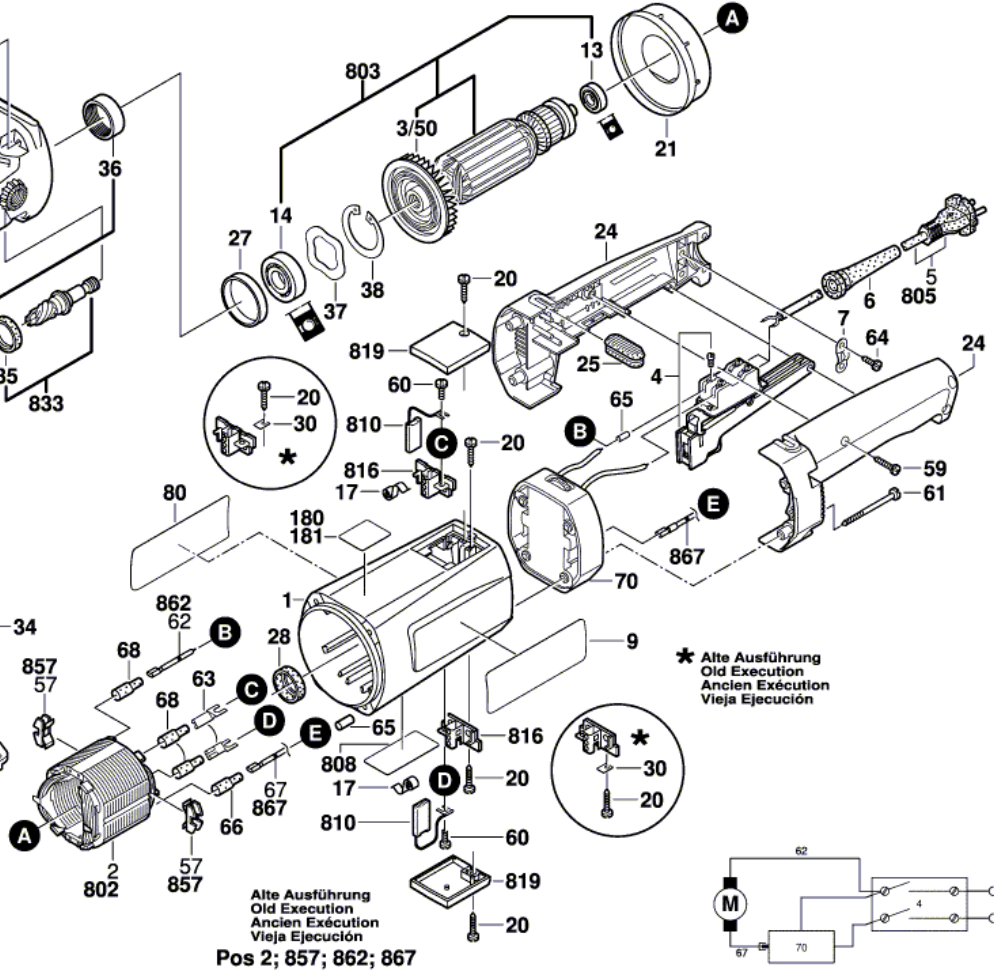


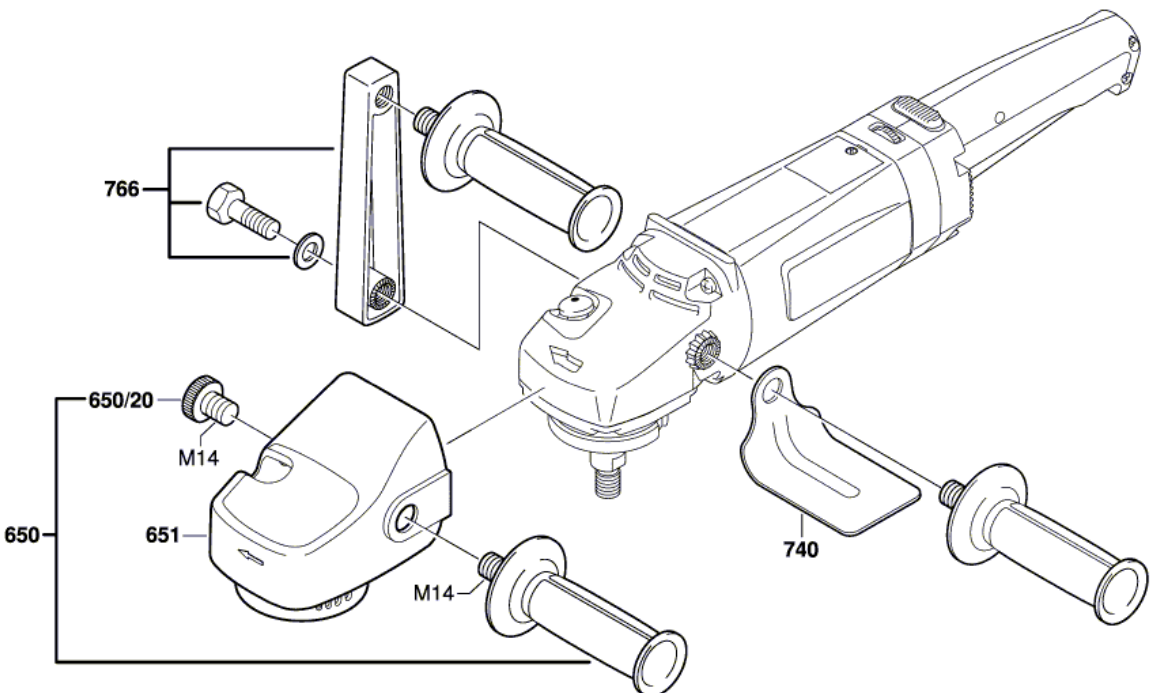
NEU / NEW



ALT / OLD

Änderungen vorbehalten
 Modifications reserved
 Modifications réservées
 Salvo modificaciones





0 601 366 703
Stand } 98-06
Issue } 01-07-10

Abb./Fig. 2

Änderungen vorbehalten
Modifications reserved
Modificacions reserves
Salvo modificaciones

Information subject to change without further notice.