

## Universal Angle Polisher - 0 601 366 732 - GPO 12 ...

www.powertools-aftersaleservice.com



**BOSCH**

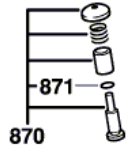
Item	Part Number	Description	Illustration	Price	Quantity	Price Group
	1 3 605 108 129	Motor Housing BLUE	1	-,-	1	32
3/50	1 606 610 126	Fan	1	-,-	1	20
	4 1 607 200 080	Switch	1	-,-	1	35
	5 1 604 460 440	Power supply cord CH 230V 4,15m 2 x 1,0mm H05 RN-F	1	-,-	1	29
	6 3 600 703 011	Grommet Ø9,2-Ø12x120 MM	1	-,-	1	13
	7 1 601 302 014	Fastening Clamp	1	-,-	1	11
	9 3 601 110 188	Manufacturer's nameplate	1	-,-	1	15
13	2 600 905 032	Ball Bearing 7x19x6	1	-,-	1	17
14	3 600 905 131	groove ball bearing 9x26x8	1	-,-	1	23
17	1 604 652 006	Spiral Spring	1	-,-	2	11
20	2 910 211 019	Tapping Screw DIN 7971-ST3,9x16-F	1	-,-	4	10
21	3 600 421 002	Air-Deflector Ring	1	-,-	1	14
24	3 605 132 062	Handle BLACK	1	-,-	1	27
25	1 602 388 029	Storage Ledge BLACK	1	-,-	1	11
27	1 600 206 026	Intermediate Ring	1	-,-	1	11
28	1 600 502 011	Intermediate Ring	1	-,-	1	11
30	1 601 030 022	Tab Washer	1	-,-	2	11
32	3 606 333 052	Crown Gear Z=59	1	-,-	1	43
34	1 600 190 020	Shim 0,15 MM THICK	1	-,-	1	11
34	1 600 190 021	Shim 0,3 MM THICK	1	-,-	1	11
34	1 600 190 022	Shim 0,1 MM THICK	1	-,-	1	11
34	1 600 190 037	Shim 0,2 MM THICK	1	-,-	1	10
35	3 600 290 039	Seal Ring	1	-,-	1	18
36	3 600 200 026	Threaded Ring	1	-,-	1	23
37	1 600 150 026	Spring Washer	1	-,-	1	14
38	1 600 119 009	Spring retaining ring	1	-,-	1	11
40	1 603 523 100	Grinding Spindle M14, SW17	1	-,-	1	26
42	3 600 905 134	groove ball bearing	1	-,-	1	23
43	1 600 290 036	Seal Ring BLACK	1	-,-	1	12
44	1 600 119 010	Retaining clip	1	-,-	1	11
45	1 600 290 019	Retaining snap ring	1	-,-	1	11
46	1 600 205 034	Felt Washer	1	-,-	1	11
47	1 600 210 033	O-Ring 79,0x1,78 MM	1	-,-	1	11

Item	Part Number	Description	Illustration	Price	Quantity	Price Group
48	1 603 435 076	Thread-forming tap. Screw	1	-,-	4	10
49	2 912 401 038	Tapping Screw DIN 7981-4,8x38-C-Z-ST	1	-,-	4	10
57	3 601 025 003	Wire Guide	1	-,-	2	11
59	2 910 211 021	Tapping Screw DIN 7971-ST3,9x22-F	1	-,-	3	10
60	2 910 021 118	Socket head cap screw DIN 84-AM4x8-8.8	1	-,-	2	10
61	3 603 435 043	Tapping Screw	1	-,-	4	11
62	3 604 438 028	Connecting Cable	1	-,-	1	16
63	1 604 477 001	Blade terminal	1	-,-	2	11
64	2 603 490 021	Torx Oval-Head Screw 4x12	1	-,-	2	10
65	1 900 452 003	End Splice DIN 46 228-A2,5-7	1	-,-	1	11
66	3 600 707 022	Shrinkable Tube	1	-,-	2	15
67	3 604 438 026	Connecting Cable	1	-,-	1	19
68	3 600 707 022	Shrinkable Tube	1	-,-	2	15
70	3 607 218 003	Speed governor 220-240V	1	-,-	1	40
80	3 601 110 189	Reference Plate CAUTION	1	-,-	1	15
105	1 600 210 045	O-Ring 8,0x1,0 MM	1	-,-	1	11
650	3 602 025 017	Auxiliary Handle	2	-,-	1	25
650/20	2 603 481 001	Knurled Thumbscrew M 14	2	-,-	1	13
651	9 618 089 612	Handle Cover	2	-,-	1	25
740	1 601 329 013	Protecting Cover	2	-,-	1	-
766	2 607 001 190	Parts Set	2	-,-	1	-
802	3 604 220 135	Field 220-230V	1	-,-	1	40
803	3 607 031 329	Armature 220-240V	1	-,-	1	50
808	1 601 11A 3H3	Nameplate	1	-,-	1	13
810	3 607 014 012	Carbon-Brush Set	1	-,-	1	31
816	3 604 336 012	Brush Holder	1	-,-	2	18
819	3 605 500 063	Sealing cap BLUE	1	-,-	2	16
831	3 607 000 109	Bearing Flange	1	-,-	1	43
833	3 607 000 079	Bevel Gear Z=6	1	-,-	1	39
839	2 600 910 001	Needle-Roller Bearing Ø14 MM	1	-,-	1	16
840	1 607 000 354	Push-Button	1	-,-	1	19
841	3 607 000 108	Bearing Flange	1	-,-	1	34
857	1 601 025 001	Wire Guide	1	-,-	2	11
862	3 604 438 000	Connecting Cable L=235 MM BLUE	1	-,-	1	13
867	1 604 431 002	Connecting Cable	1	-,-	1	14
870	1 607 000 206	Push-Button BLACK	1	-,-	1	14
871	1 600 210 034	O-Ring 4,0x1,0 MM	1	-,-	1	11
872	1 600 290 020	Seal Ring	1	-,-	1	11

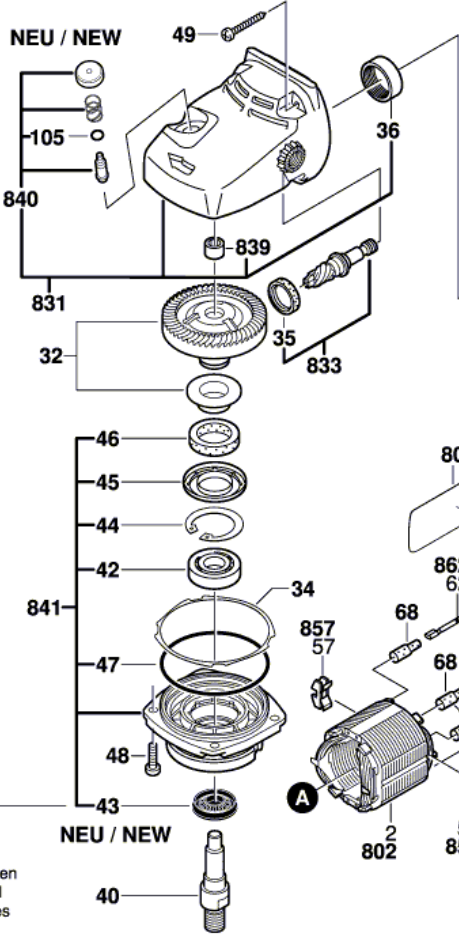
0 601 366 703  
 Stand } 06-05  
 Issue } 18-01-31

**Fig. /Abb. 1**

**ALT / OLD**



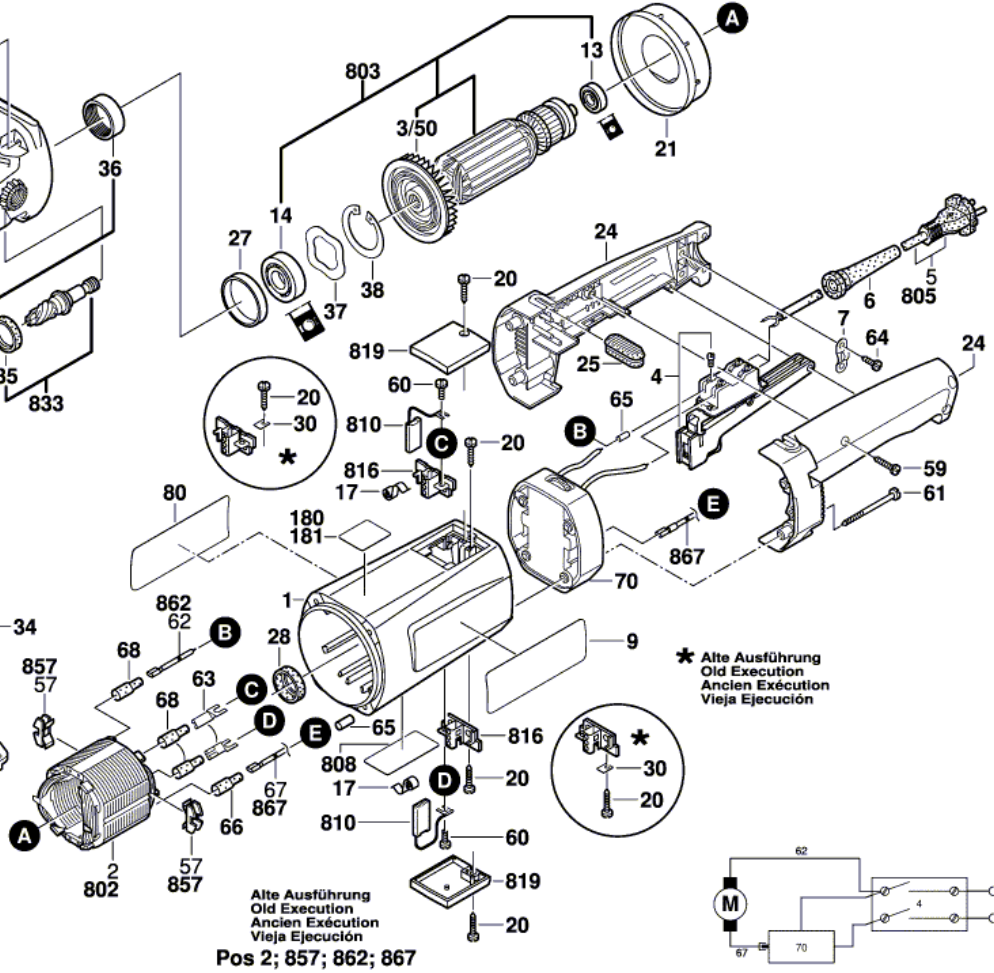
**NEU / NEW**



**ALT / OLD**

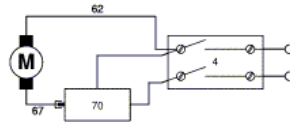
Änderungen vorbehalten  
 Modifications reserved  
 Modifications réservées  
 Salvo modificaciones

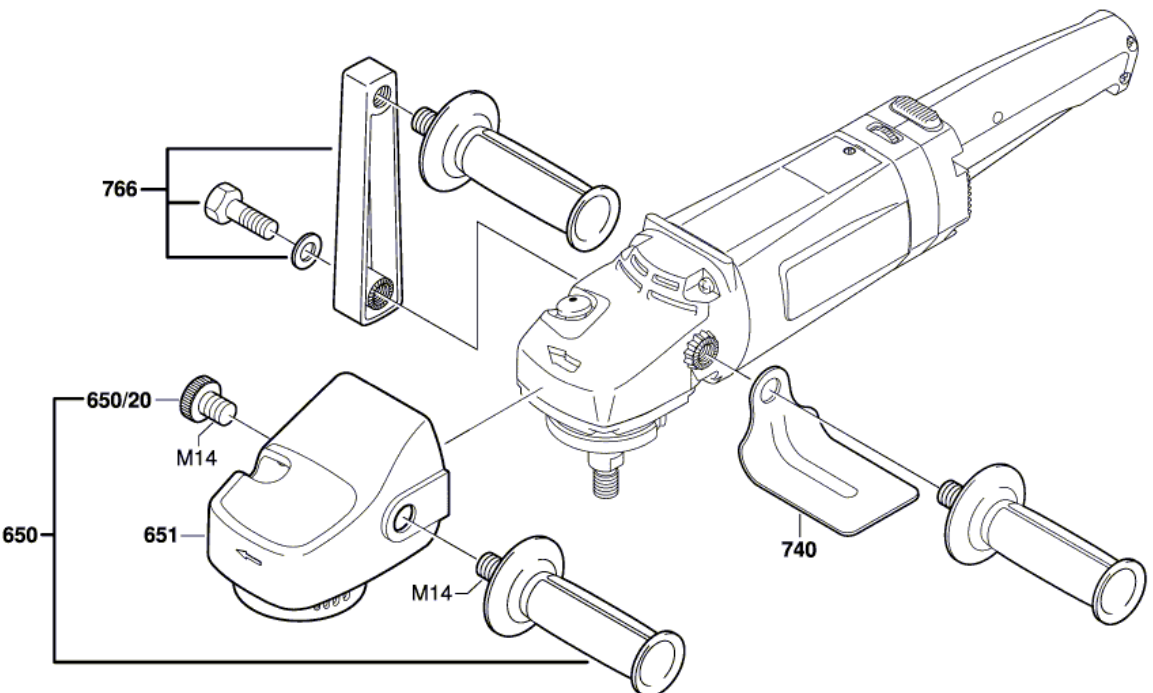
**NEU / NEW**



\* Alte Ausführung  
 Old Execution  
 Ancien Exécution  
 Vieja Ejecución

Alte Ausführung  
 Old Execution  
 Ancien Exécution  
 Vieja Ejecución  
**Pos 2; 857; 862; 867**





0 601 366 703

Stand } 98-06

Issue } 01-07-10

**Abb./Fig. 2**

Änderungen vorbehalten  
Modifications reserved  
Modifications reserves  
Salvo modificaciones

Information subject to change without further notice.