



BOSCH

Universal Angle Polisher

GPO 12 CE | 3 601 C89 081

Table of Content

Spare parts list.....	2
Illustration - Type.....	4

Spare parts list

Item	Part Number	Description
1	1 605 108 255	Motor Housing BLUE
4	1 607 200 257	Switch Assembly
4/56	1 603 415 004	Lens Head Screw
5	1 614 460 088	Power supply cord CN 4,15m 2 x 1,0mm H07 RN-F
6	1 619 P14 643	Grommet Ø 8,6mm
7	2 601 035 001	Cable Clip
9	1 619 P07 981	Manufacturer's nameplate GPO 12 CE
13	2 600 905 032	Ball Bearing 7x19x6
14	1 600 905 032	groove ball bearing 8x22x7
16	1 601 323 023	Brush Holder WITH DISCONNECTING DEVICE
17	1 604 652 013	Spiral Spring
18	1 602 319 024	Adjusting Slide
19	1 604 611 041	Compression Spring
20	3 604 611 039	Compression Spring
22	1 619 P07 907	plastic covering
25	1 600 A01 NOJ	Handle
26	1 600 206 036	Rubber Ring
27	1 600 206 025	Rubber Ring
29	1 600 591 025	Air-Deflector Ring
30	1 600 591 014	Air-Deflector Ring
32	1 619 P07 906	Grinding Spindle
33	1 600 210 035	O-Ring 46,0x1,1 MM
37	1 600 290 016	Rotary shaft lip seal
38	1 619 P07 918	Crown Gear
39	1 619 P07 919	Bevel Gear
40	1 600 119 011	Retaining clip
41	1 619 P08 829	groove ball bearing
42	1 619 P07 912	Cylindrical Gear
43	1 619 P07 911	Cylindrical Gear
45	1 603 300 016	Hex Nut M7, SW10
47	1 619 P00 029	Screw
48	2 912 401 005	Tapping Screw DIN7981-ST2,9x9,5C-Z
49	1 619 P08 825	Thread-forming tap. Screw
50	1 619 P00 105	Torx Oval-Head Screw 4x20

Spare parts list

Item	Part Number	Description	
53	1 619 P01 066	Torx Oval-Head Screw	4x25
58	1 619 P07 915	O-Ring	39,0x1,1 MM
108	1 605 500 258	Cover	BLACK
109	1 605 500 263	Cover	BLACK
180	1 619 P09 116	Label	
802	1 604 220 417	Field	220-240V
803	1 619 P09 115	Armature With Fan	220-240V
808	1 619 P07 921	Nameplate	
810	1 607 014 176	Carbon-Brush Set	
813	1 607 000 378	Parts Set	
821	1 619 P09 078	Gear Housing	
828	1 619 P09 081	Bearing Flange	
835	1 606 610 132	Fan	
838	1 619 P09 080	Crown Gear	
840	1 619 P09 082	push button set	
851	1 607 233 256	Speed governor	
852	1 604 448 025	Connecting Cable	
857	1 619 P09 079	Gear Cover	
890	1 619 P07 563	Handle	
891	1 602 025 09T	Auxiliary Handle	
893	1 605 430 003	Grease Tube	225 ML
894	1 615 430 020	Grease Tube	225 ML
895	1 619 P07 614	Socket-Outlet Adaptor	
897	1 619 P07 612	Hex Screw Driver	
898	1 619 P07 611	Hex Screw	

Illustration - Type - E

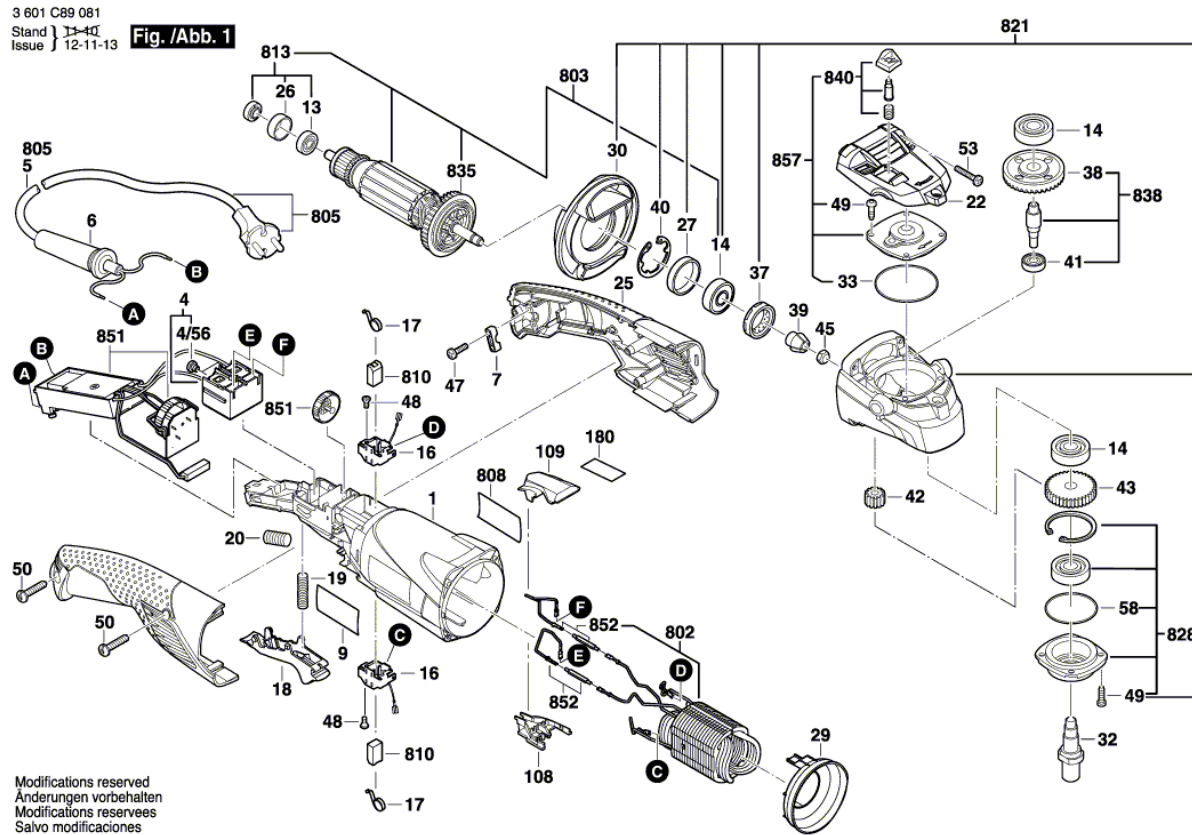


Illustration - Type - E

3 601 C89 081
 Stand } 11-81
 Issue } 14-02-27 **Fig. /Abb. 2**

