

## Laser Level - 3 601 K66 110 - GPL 3

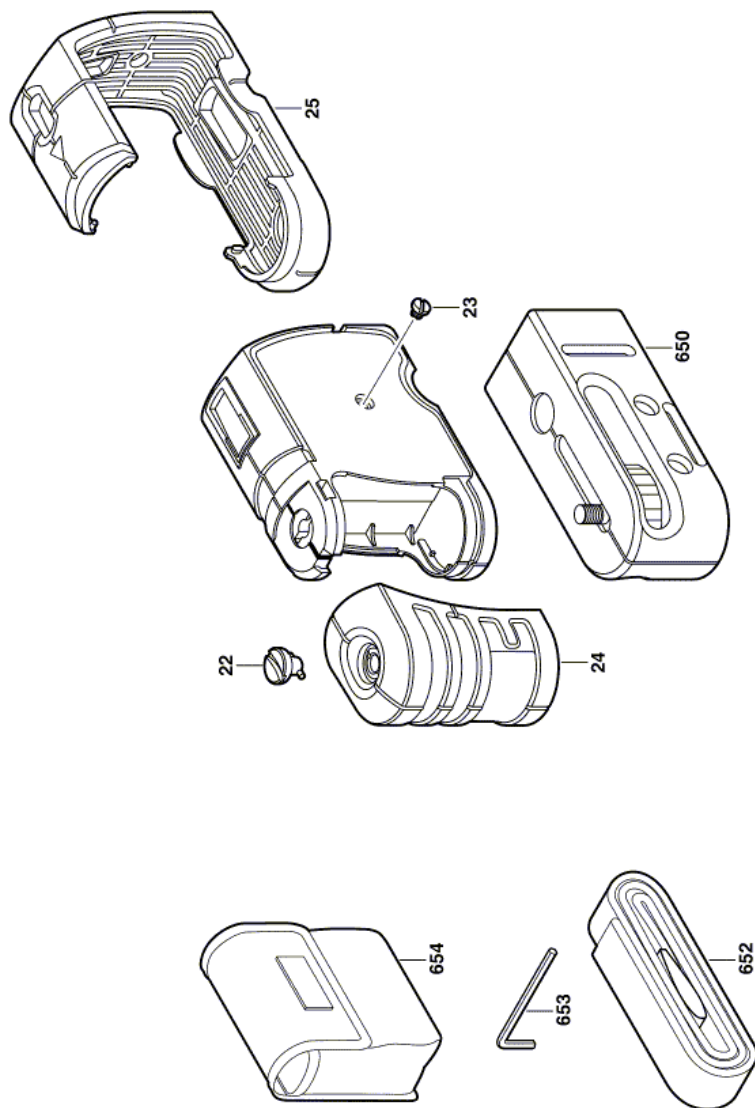
[www.powertools-aftersaleservice.com](http://www.powertools-aftersaleservice.com)



**BOSCH**

Item	Part Number	Description	Illustration	Price	Quantity	Price Group
22	1 618 C00 487	Screw		1	-,-	1 14
23	1 618 C00 489	Plug		1	-,-	2 11
24	1 618 C01 495	Battery Cover		1	-,-	1 19
25	1 618 C01 497	Gripper		1	-,-	1 21
650	1 618 C00 465	Laser Level		1	-,-	1 31
652	1 618 C00 463	Strap		1	-,-	1 16
653	1 618 C00 462	Hexagon Socket Wrench		1	-,-	1 15
654	1 618 C00 464	Pouch		1	-,-	1 29

Illustration - Type E



3601 K66 110  
Issue } 08-11-25  
Stand } **Fig./Abb. 1**

Modifications reserved  
Änderungen vorbehalten  
Modificacions reservæes  
Salvo modificaciones

Information subject to change without further notice.