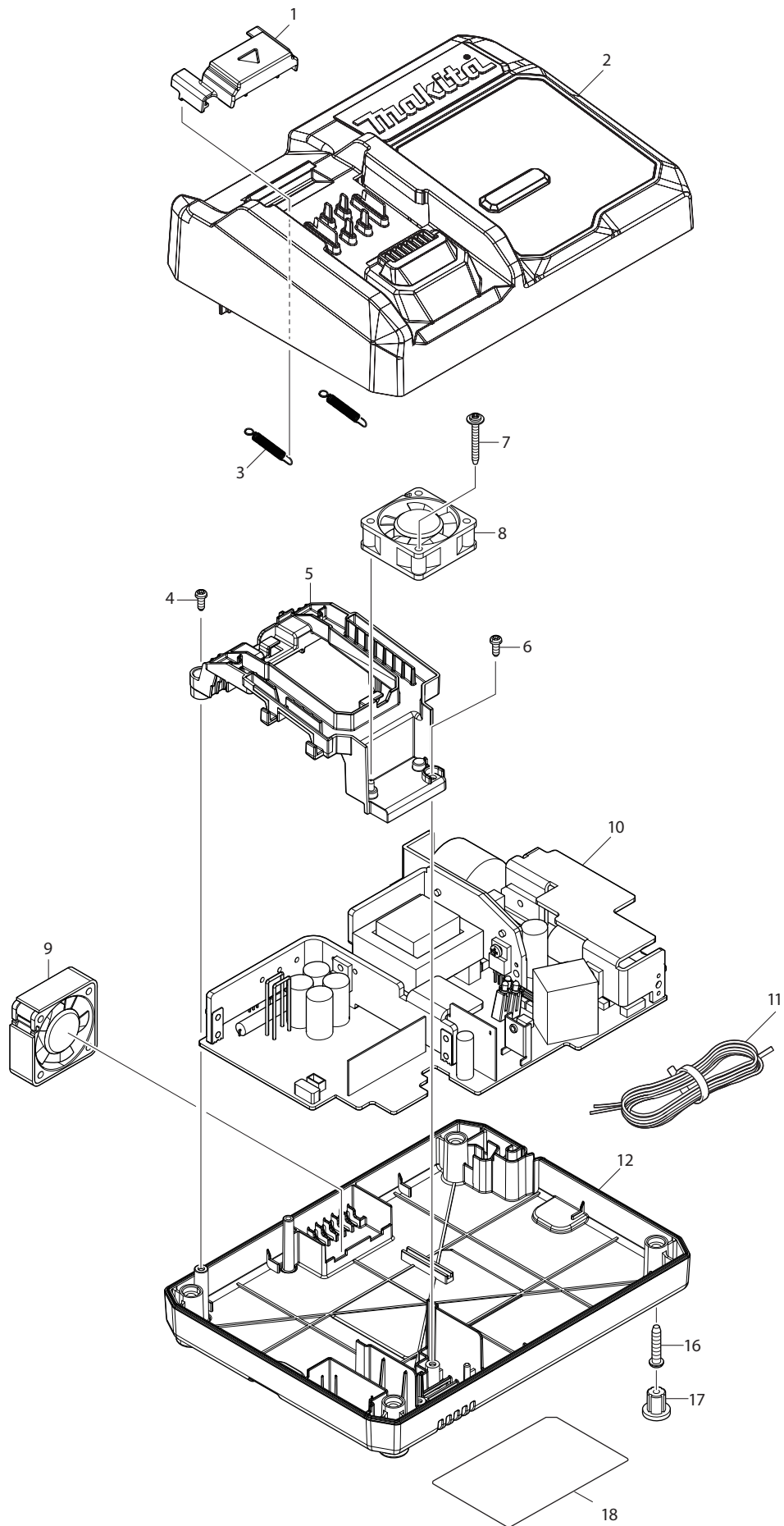


## Model GPH01Z Parts List

A = Standard Equipment

O = Circuit Diagram

Item#	Part#	Description	Q'ty	Unit
001	266130-9	TAPPING SCREW BIND PT 3X16	7	PC.
002	183S38-5	HOUSING SET	1	SET
	C10 263005-3	RUBBER PIN 6	2	PC.
	C20 252126-6	HEX. LOCK NUT M4-7	2	PC.
	C30 422569-8	SPONGE SHEET	2	PC.
	C40 8032X6-5	CAUTION LABEL	1	
	D10	INC. 23		
003	127494-5	SPEED CHANGE LEVER ASSEMBLY	1	PC.
	C10 233438-6	COMPRESSION SPRING 4	2	PC.
004	232220-0	LEAF SPRING	2	PC.
007	136359-0	KEYLESS DRILL CHUCK ASS'Y	1	
	C10 763252-1	KEYLESS DRILL CHUCK 13	1	PC.
	C20 127727-8	GEAR ASSEMBLY	1	PC.
	C30 251468-5	FLAT HEAD SCREW M6X22	1	PC.
008	266326-2	TAPPING SCREW 4X18	4	PC.
009	629476-8	STATOR COMPLETE	1	PC.
	C10 8009H0-8	SWITCH LABEL	1	PC.
010	619613-2	ROTOR	1	PC.
011	413379-4	REAR COVER	1	PC.
012	266130-9	TAPPING SCREW BIND PT 3X16	4	PC.
013	620549-0	LED CIRCUIT	1	PC.
014	620C81-2	SENSOR CIRCUIT	1	PC.
015	419041-9	F/R CHANGE LEVER	1	PC.
016	651443-5	SWITCH C3JR-4B	1	PC.
017	256949-4	ROD 3	1	PC.
018	140R76-4	DIAL COMPLETE	1	PC.
019	313288-6	DIAL CAM	1	PC.
020	232597-3	COMPRESSION SPRING 3	1	PC.
021	632P49-4	TERMINAL UNIT	1	PC.
022	856S97-9	GPH01 SERIAL NO. LABEL	1	
023	183S38-5	HOUSING SET	1	SET
	C10 263005-3	RUBBER PIN 6	2	PC.
	C20 252126-6	HEX. LOCK NUT M4-7	2	PC.
	C30 422569-8	SPONGE SHEET	2	PC.
	C40 8032X6-5	CAUTION LABEL	1	
	D10	INC. 2		
024	8007R2-2	XGT LOGO LABEL	1	PC.
026	856S90-3	GPH01 NAME PLATE	1	
A01	127578-9	GRIP ASSEMBLY	1	PC.
	C10 140S65-5	ARM R COMPLETE	1	PC.
	C20 140U91-6	POLE COMPLETE	1	
	C30 266886-4	HEX. BOLT M8X65	1	PC.
	C40 319966-6	ARM L	1	PC.
	C50 962055-2	RETAINING RING (INT) R-15	1	PC.
	C60 265785-7	THUMB SCREW M5X10	1	PC.
	C70 931202-6	HEX. NUT M5	1	PC.
A02	251314-2	+ SCREW M4X12	1	PC.
A03	346449-3	HOOK	1	PC.
A06	122576-8	STOPPER POLE ASS'Y	1	PC.



## Model DC40RA Parts List

A = Standard Equipment

O = Circuit Diagram

Item#	Part#	Description	Q'ty	Unit
001	459475-4	TERMINAL COVER	1	PC.
002	140N46-9	CHARGER CASE COMPLETE	1	PC.
	C10 459476-2	LENS	1	PC.
	C20 819V01-7	CHARGING CONDITION LABEL	1	PC.
003	232565-6	TENSION SPRING 4	2	PC.
004	265B02-7	TAPPING SCREW 3X8	1	PC.
005	459474-6	TERMINAL BASE	1	PC.
006	265B02-7	TAPPING SCREW 3X8	1	PC.
007	265A61-5	TAPPING SCREW FLANGE 3X25	1	PC.
008	632P24-0	FAN 40	1	PC.
009	632P25-8	FAN 40	1	PC.
010	620B41-8	CHARGING CIRCUIT	1	PC.
010	C11 647075-4	VARISTOR	1	PC.
	C20 652089-0	FUSE	1	PC.
011	667982-5	VINYL CORD #18-2-2.0	1	PC.
012	459846-5	CHARGER CASE COVER	1	PC.
016	265B01-9	TAPPING SCREW PT 4X20	4	PC.
017	286255-3	CAP 13	4	PC.
018	857F48-7	DC40RA NAME PLATE	1	PC.
E01	819V02-5	CAUTION LABEL	1	PC.